



**Maxi-Flush™**  
**Screen Filters**  
Automatic  
Backwash System



Industrial, Commercial & Municipal

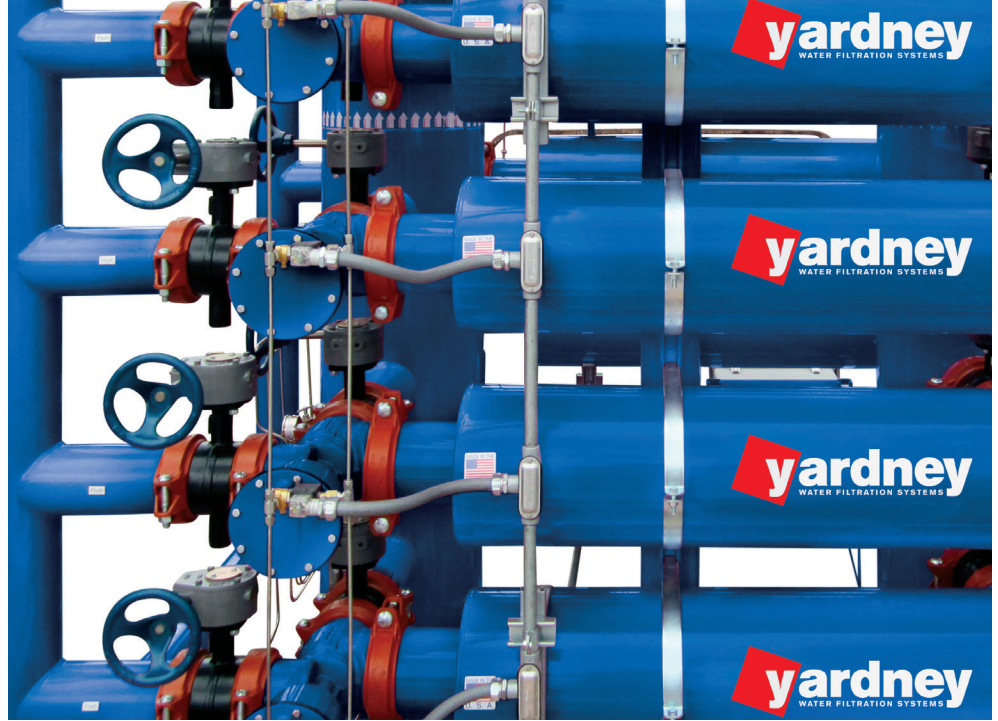
# Maxi-Flush™ Screen Filters

Time.  
Quality.  
Experience.  
Knowledge.

## Yardney Maxi-Flush automatic backwash screen filters

provide the ultimate in high rate screen filter performance. Built for durable trouble-free service, the filter and cartridge have no internal moving parts to wear out, break down or replace. The field changeable stainless steel filter cartridge requires no maintenance and is constructed with a burst strength in excess of 600 psi.

Maxi-Flush Screen Filters feature a replaceable cartridge and screen mesh that ensures consistent and reliable filtration and allows for easy manual cleaning.



## Applications

- For surface water with high concentration of algae and other organic materials
- Industrial process water, incoming plant water, waste water clean-up, industrial water for plant reuse
- 100 psi standard operating pressure (high pressure systems available)
- Removal of algae, slime or other organic contaminant as well as sand, rock, grit and other inorganic contaminants with fine filtration down to 200 mesh or 75 microns
- Flow ranges from 250 gpm

## Advantages

- Heavy duty, durable backwashable welded stainless steel wedgewire screen filter
- Rugged, field-changeable, washable and replaceable welded stainless steel wedgewire filter mesh available in 40, 80, 100, 150, 200 mesh
- Wedgewire screen cartridge produces long run times between backwash cycles
- Backwash automatically initiated by elapsed time or pressure differential
- No moving parts to wear out
- Yardney easy-entry lid closure
- Available in welded carbon steel
- 3M Scotchkote® 134 fusion bonded epoxy lining on interior surfaces
- Exterior of housing is coated with UV stabilized polyester powder coat for longer product life and greater protection from the environment
- Made in USA

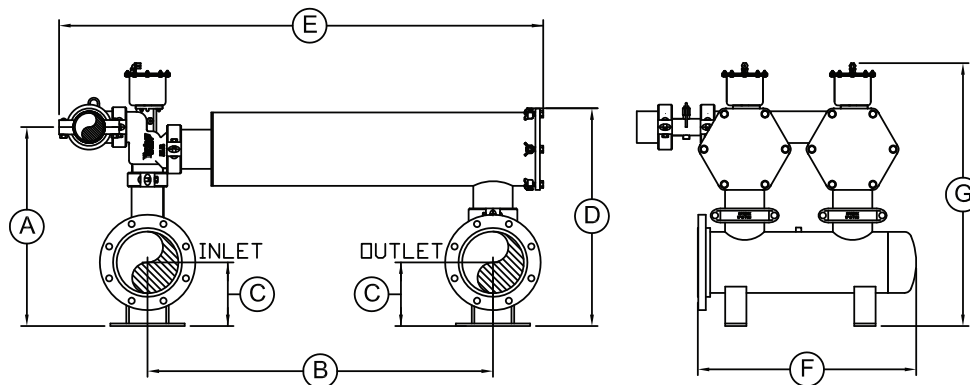
SPECIFICATIONS | MAXI-FLUSH | Horizontal

Model	Number of Housings	Maximum Flow		Filtration Surface Area (total sq ft)	Backwash Flow Rate (per housing)		Maximum Pressure	Inlet/Outlet	Flush Port
		gpm	m <sup>3</sup> /hr		gpm	m <sup>3</sup> /hr			
MFS 6-2	2	250	57	4.6	60	14	100 psi	4"	2"
MFS 8-2	2	500	114	6.7	80	18	100 psi	6"	2"
MFS 8-3	3	750	170	10.1	80	18	100 psi	6"	2"
MFS 10-2	2	1000	227	16.0	190	43	100 psi	8"	4"
MFS 10-3	3	1500	341	24.0	190	43	100 psi	8"	4"
MFS 10-4	4	2000	455	32.0	190	43	100 psi	10"	4"
MFS 10-5	5	2500	568	40.0	190	43	100 psi	10"	4"
MFS 10-6	6	3000	682	48.0	190	43	100 psi	12"	4"
MFS 10-7	7	3500	795	56.0	190	43	100 psi	12"	4"
MFS 10-8	8	4000	909	64.0	190	43	100 psi	14"	4"
MFS 10-9	9	4500	1023	72.0	190	43	100 psi	14"	4"
MFS 10-10	10	5000	1136	80.0	190	43	100 psi	14"	4"

DIMENSIONS | Horizontal

Model	A	B	C	D	E	F	G
MFS 6-2	18 9/16"	26 7/8"	6"	19 3/4"	42 5/8"	27 1/4"	29 7/16"
MFS 8-2	22 5/8"	24 1/8"	8"	25"	40 1/16"	27 1/4"	33 5/8"
MFS 8-3	22 5/8"	24 1/8"	8"	25"	40 1/16"	40 3/8"	33 5/8"
MFS 10-2	28 1/8"	48 13/16"	9"	30 3/4"	68 3/4"	30 7/8"	37 3/16"
MFS 10-3	28 1/8"	48 13/16"	9"	30 3/4"	68 3/4"	46 1/8"	37 3/16"
MFS 10-4	30 3/16"	48 13/16"	10"	32 13/16"	68 3/4"	62 3/8"	39 1/4"
MFS 10-5	30 3/16"	48 13/16"	10"	32 13/16"	68 3/4"	77 5/8"	39 1/4"
MFS 10-6	30 1/8"	48 13/16"	11"	32 3/4"	70 3/16"	111 11/16"	39 1/4"
MFS 10-7	30 1/8"	48 13/16"	11"	32 3/4"	70 3/16"	130 7/16"	39 1/4"
MFS 10-8	33 3/16"	48 13/16"	13"	35 13/16"	72 13/16"	149 1/2"	42 1/4"
MFS 10-9	33 3/16"	48 13/16"	13"	35 13/16"	72 13/16"	164 3/4"	42 1/4"
MFS 10-10	33 3/16"	48 13/16"	13"	35 13/16"	72 13/16"	180"	42 1/4"

\*Vertical configurations also available for limited space applications. Please see our website for additional information.



## Automatic Backwash Operation

The patented Yardney 3-way backwash valve controls the highly effective reverse flow backwashing of the Maxi-Flush system. During the brief backwashing cycle a portion of the clean water produced by the system is diverted to the filter housing undergoing backwashing. This flow of clean water frees contaminants from the cartridge while discharging these contaminants from the system and restoring the filter back to a clean filter condition. Each filter housing is sequentially backwashed until the entire system is clean.

# Maxi-Flush Screen Filters

## Specifications

### Standard assembly includes:

- Yardney easy-entry lid closure
- Filter element
- Valves
- Inlet and outlet manifolds
- Multiple housings include inlet and outlet manifolds and grooved couplings to connect all components

### Available options:

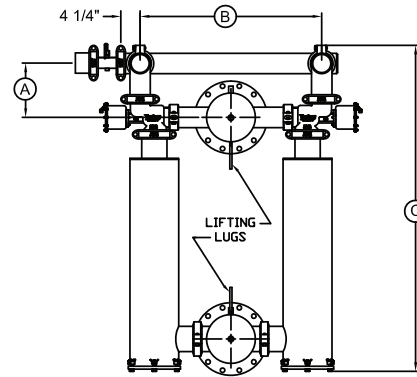
- ASME code
- High pressure
- Solar package
- Custom filter station layout piping
- Available in purple for reclaim water applications

SPECIFICATIONS | MAXI-FLUSH | Vertical

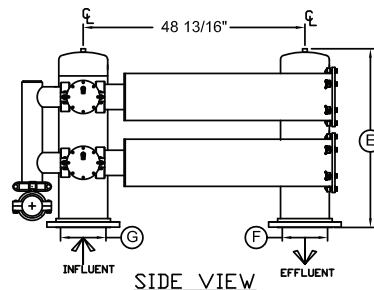
Model	Number of Housings	Maximum Flow		Filtration Surface Area (total sq ft)	Backwash Flow Rate (per housing)		Maximum Pressure	Inlet/Outlet	Flush Port
		gpm	m <sup>3</sup> /hr		gpm	m <sup>3</sup> /hr			
MFSV 10-4	4	2000	455	32.0	190	43	100 psi	10"	4"
MFSV 10-5	5	2500	568	40.0	190	43	100 psi	10"	4"
MFSV 10-6	6	3000	682	48.0	190	43	100 psi	12"	4"
MFSV 10-7	7	3500	795	56.0	190	43	100 psi	12"	4"
MFSV 10-8	8	4000	909	64.0	190	43	100 psi	14"	4"
MFSV 10-9	9	4500	1023	72.0	190	43	100 psi	14"	4"
MFSV 10-10	10	5000	1136	80.0	190	43	100 psi	14"	4"

DIMENSIONS | Vertical

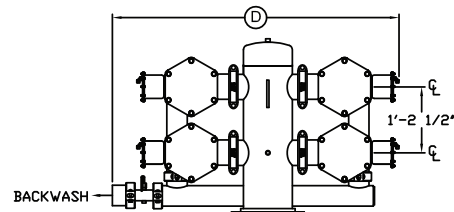
Model	A	B	C	D	E
MFSV 10-4	11 7/8"	40"	71 13/16"	63 1/8"	39"
MFSV 10-5	11 7/8"	40"	71 13/16"	63 1/8"	53 1/2"
MFSV 10-6	12 9/16"	42"	72 9/16"	64 3/4"	54 5/8"
MFSV 10-7	12 9/16"	42"	72 9/16"	64 3/4"	69 1/8"
MFSV 10-8	13 3/4"	43"	73 11/16"	65 3/4"	69 3/8"
MFSV 10-9	13 3/4"	43"	73 11/16"	65 3/4"	83 7/8"
MFSV 10-10	13 3/4"	43"	73 11/16"	65 3/4"	83 7/8"



PLAN VIEW



SIDE VIEW



ELEVATION



Made in USA

Phone: 951.656.6716  
Toll-Free: 800.854.4788  
Fax: 951.656.3867  
info@yardneyfilters.com



www.yardneyfilters.com