

Thru-Flush screen filters

provide excellent filtration for water sources where inorganic particulate is the major contaminant. The Thru-Flush cleaning action quickly purges the trapped contaminant from the filter using your source water line and pressure. This technology utilizes turbulent water action to shake loose the contaminant from the screen and discharge the contaminant out of the housing.

Thru-Flush Screen Filters feature a replaceable cartridge and screen mesh that ensures consistent and reliable filtration and allows for easy manual cleaning.



Applications

- Removal of sand, rock, grit and other inorganic contaminants to protect drip and micro-irrigation systems with fine filtration down to 200 mesh or 75 microns
- 150 psi standard operating pressure (high pressure systems available)
- Flow ranges from 200 gpm
- Can be used as a primary filter in specific applications
- Can be used as a secondary filter to a sand media filter, centrifugal separator or other primary filtration system with the added benefit of an automatically controlled system

Advantages

- Manual or automatic Thru-Flush stainless steel screen filter
- Type 316 stainless steel housing and cartridge
- Standard operating pressure of 150 psi
- Rugged, field changeable, washable and replaceable polypropylene filter mesh sock available in 40, 80, 100, 150 and 200 mesh
- Flush port provides for manual or automatic removal of heavy contaminants
- Yardney easy-entry lid closure
- 3M Scotchkote® 134 fusion bonded epoxy coating on interior surfaces of manifolds
- Labor saving automation includes the automatic Thru-Flush valve and advanced solid state control unit which monitors the filter on elapsed time and pressure differential basis
- Available with flanged or grooved connections
- Made in USA

Thru-Flush Screen Filters

Specifications

Standard assembly includes:

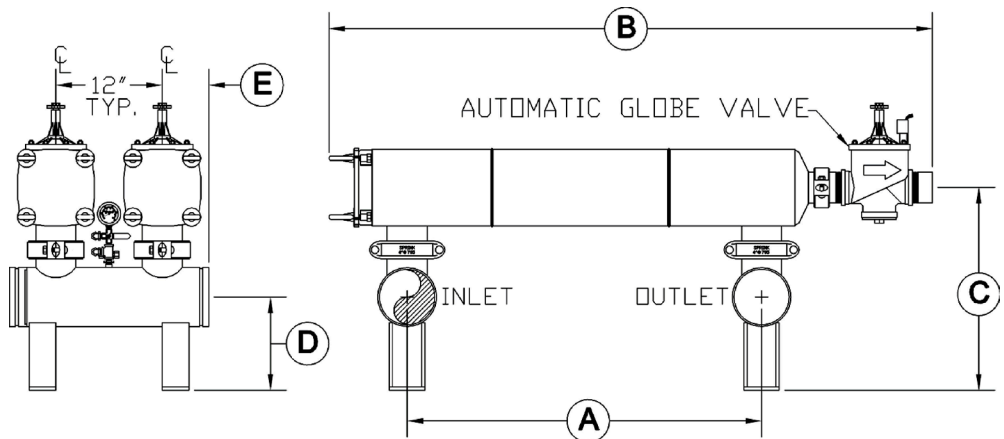
- Type 316 stainless steel housing and cartridge with field replaceable filter mesh
- Yardney easy-entry lid closure
- Manual or automatic valve with accessories
- Multiple housings include inlet and outlet manifolds and grooved couplings to connect all components together

Available options:

- High pressure
- Solar package
- 3M Scotchkote® 134 fusion bonded epoxy lining on interior surfaces

SPECIFICATIONS THRU-FLUSH FILTERS							
Model	Number of Housings	Maximum Flow		Filtration Surface Area (total sq ft)	Maximum Pressure	Inlet/Outlet	Thru-Flush Port Size
		gpm	m ³ /hr				
SS6-1	1	200	45	1.44	150 psi	3"	2"
SS6-2	2	400	91	2.88	150 psi	4"	2"
SS8-1	1	400	91	3.82	150 psi	4"	3"
SS8-2	2	800	182	7.64	150 psi	6"	3"
SS8-3	3	1200	273	11.46	150 psi	8"	3"
SS8-4	4	1600	364	15.28	150 psi	8"	3"
SS8-5	5	2000	455	19.10	150 psi	10"	3"

DIMENSIONS						
Model	A	B		C	D	E
		Manual	Automatic			
SS6-1	22"	44"	46"	—	—	—
SS6-2	22"	44"	46"	16 1/4"	5"	5 1/4"
SS8-1	40"	66 1/2"	68 1/16"	—	—	—
SS8-2	40"	66 1/2"	68 1/16"	22 13/16"	10 1/2"	5 1/4"
SS8-3	40"	66 1/2"	68 1/16"	23 13/16"	10 1/2"	5 1/4"
SS8-4	40"	66 1/2"	68 1/16"	23 13/16"	10 1/2"	5 1/4"
SS8-5	40"	66 1/2"	68 1/16"	24 7/8"	10 1/2"	5 1/4"



Made in USA

Phone: 951.656.6716
 Toll-Free: 800.854.4788
 Fax: 951.656.3867
 info@yardneyfilters.com



www.yardneyfilters.com