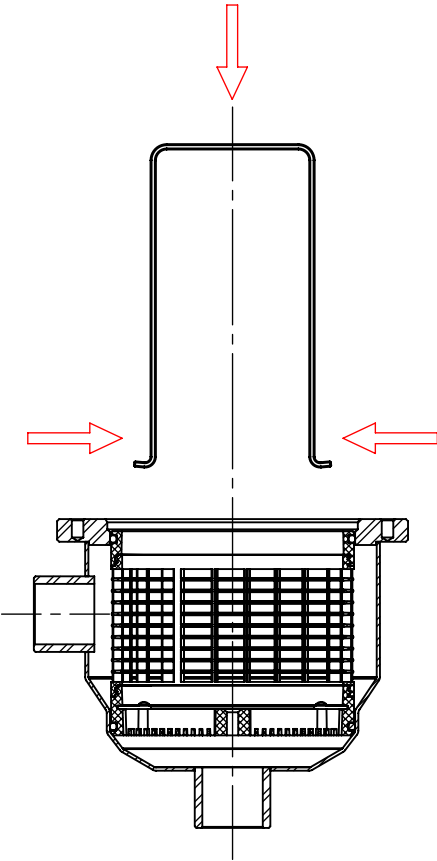
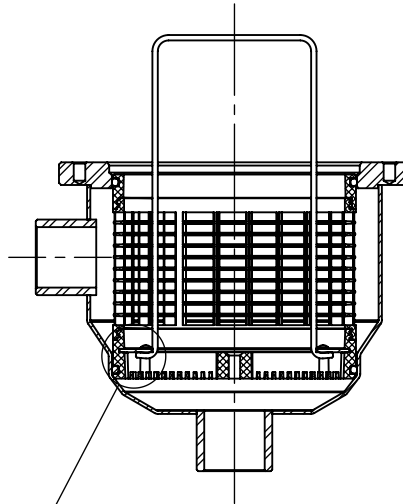


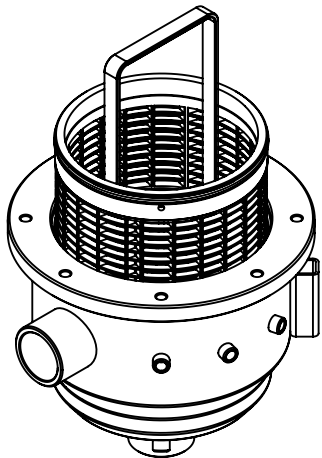
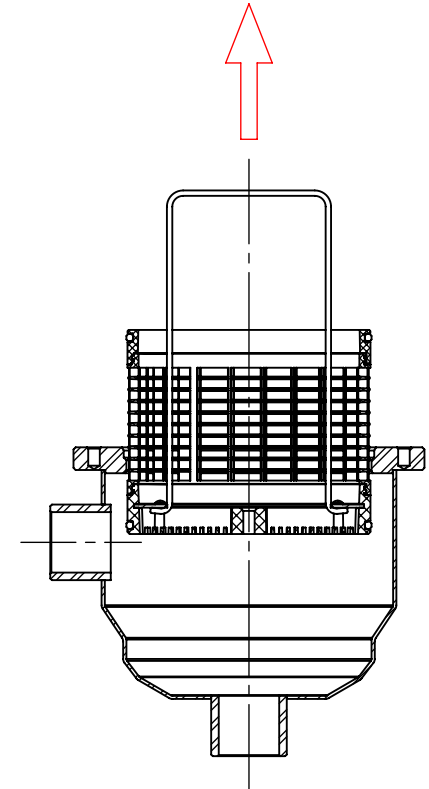
1. SQUEEZE EXTRACTION TOOL AND MOVE IT INTO THE FINE SCREEN AS SHOWN.



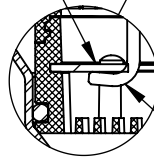
2. INSERT THE FEET OF EXTRACTION TOOL BELOW THE COARSE SCREEN STOP PLATES, THEN RELEASE EXTRACTION TOOL SO BOTH FEET SIT UNDER COARSE SCREEN STOP PLATES.



3. PULL OUT THE FINE SCREEN FROM THE BODY.



COARSE SCREEN STOP PLATE



EXTRACTION TOOL'S FOOT

**PROPRIETARY AND CONFIDENTIAL**  
 THE INFORMATION CONTAINED IN THIS DRAWING IS THE SOLE PROPERTY OF FILTAWORX PTY. LTD. ANY REPRODUCTION IN PART OR AS A WHOLE WITHOUT THE WRITTEN PERMISSION OF FILTAWORX PTY. LTD. IS PROHIBITED.

		MATERIAL
		FINISH
NEXT ASSY	USED ON	
APPLICATION		DO NOT SCALE DRAWING

	NAME	DATE
DRAWN	YW	17/02/2012
CHECKED		
ENG APPR.		
MFG APPR.		
Q.A.		

DIMENSIONS ARE IN mm  
 TOLERANCES:  $\pm 0.25$  MACHINING  
 $\pm 0.25^\circ$  ANGULAR  
 UNLESS OTHERWISE SPECIFIED

TITLE		
<b>INSTRUCTION</b>		
<b>HOW TO PULL OUT FINE SCREEN FROM BODY</b>		
SIZE	DWG. NO.	REV.
A4	15040 - instruction	0
SCALE: N.T.S.	WEIGHT:	SHEET: 1 OF 1