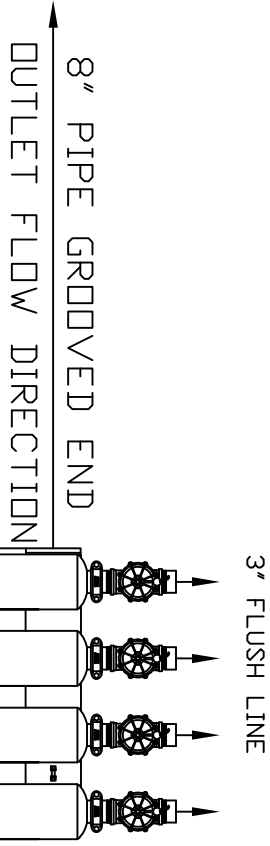
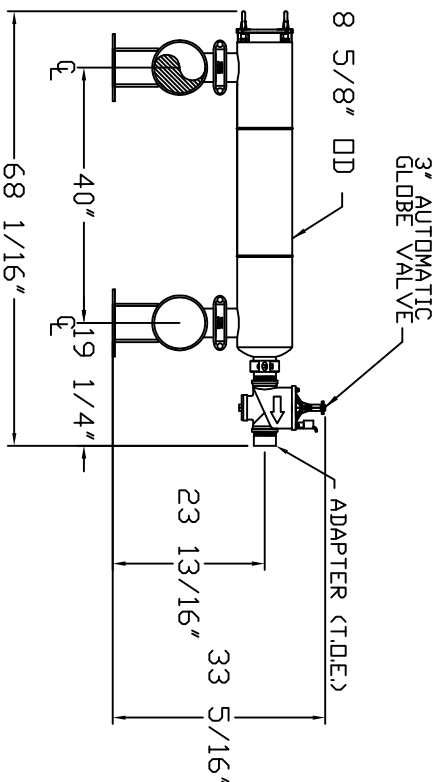
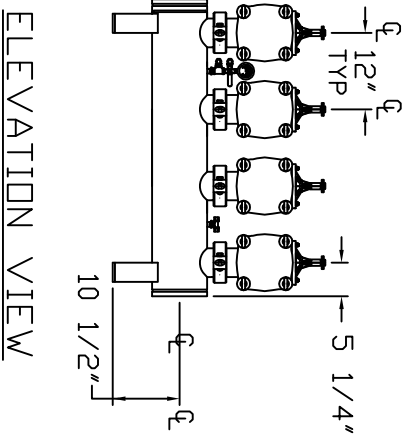
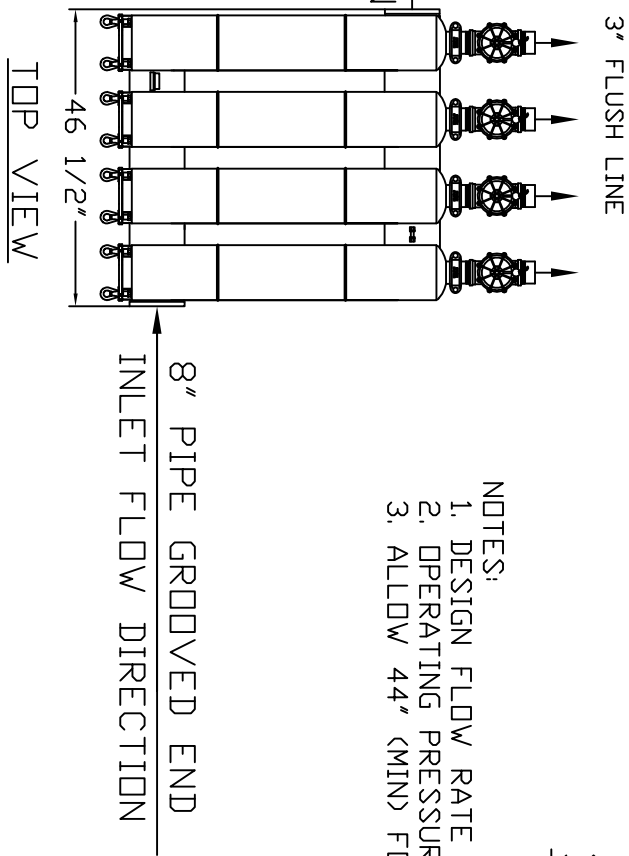


SS8-4A



- NOTES:
1. DESIGN FLOW RATE 1600 GPM
 2. OPERATING PRESSURE 125 (MAX)
 3. ALLOW 44" (MIN) FOR CARTRIDGE SERVICE



SIDE VIEW

<p>THIS DRAWING, INCLUDING THE INFORMATION IT CONTAINS, IS CONFIDENTIAL AND PROPRIETARY TO YARDNEY. IT IS TO BE KEPT IN STRICTLY CONFIDENTIAL AND NOT BE LOANED, REPRODUCED, COPIED, OR TRANSMITTED IN ANY MANNER WITHOUT THE WRITTEN PERMISSION OF YARDNEY. ANY UNAUTHORIZED USE OR DISCLOSURE OF THIS INFORMATION IS STRICTLY PROHIBITED AND WILL BE PUNISHED AS A VIOLATION OF YARDNEY'S POLICY ON CONFIDENTIALITY AND TRADE SECRET INFORMATION. ANY INFORMATION RECEIVED FROM THIS DRAWING IS TO BE USED ONLY FOR THE PROJECT SPECIFICALLY IDENTIFIED IN THE DRAWING TITLE AND MUST BE RETURNED UPON REQUEST. COPYRIGHT YARDNEY WATER MANAGEMENT SYSTEMS, 1998.</p>				
NO.	REV.	DATE	BY	DESCRIPTION
A		JV/10-99		ADDED NEW LID
B		DTG/3-06		UPDATED AUTO GLOBE VALVE
C		DTG/10-12		REDRAWN HOUSING
<p>Yardney Water Management Systems</p>				
<p>SS8-4A (AUTOMATIC) THRU-FLUSH SCREEN FILTER</p>			<p>9025000804</p>	
<p>SYSTEMS\SS\SS8</p>				
<p>REV. C</p>				
<p>sheet 1 of 1</p>				