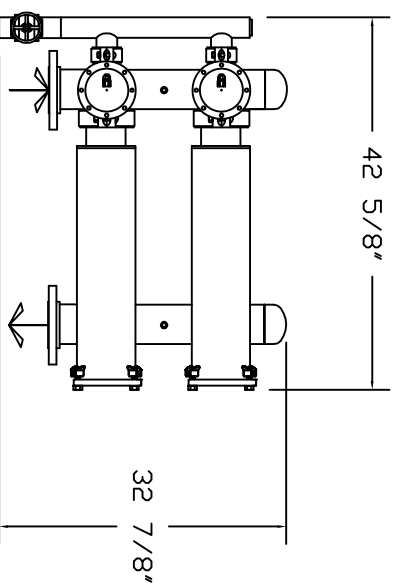


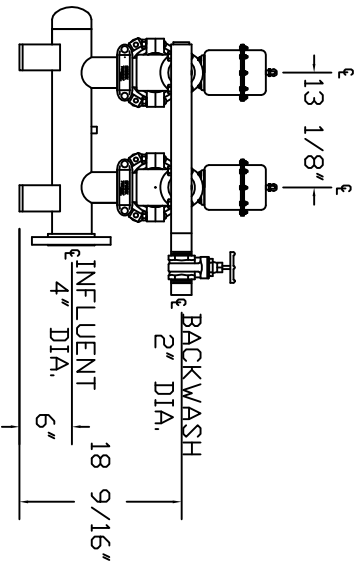
GOLF/TURF MAXI-FLUSH 6-2A

NOTES:

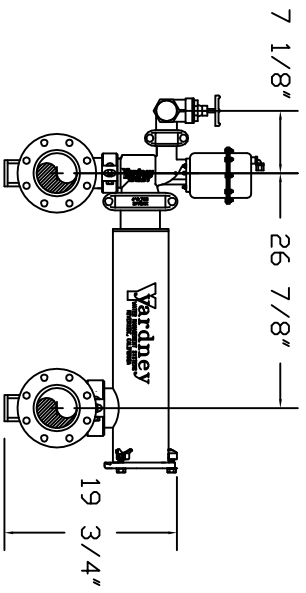
- DESIGN FLOW RATE: 250 GPM (MAX.)
- OPERATING PRESSURE: 150 PSI (MAX.)
- CARTRIDGE:
25 3/4" MIN. CLEARANCE REQUIRED FOR
CARTRIDGE REPLACEMENT.



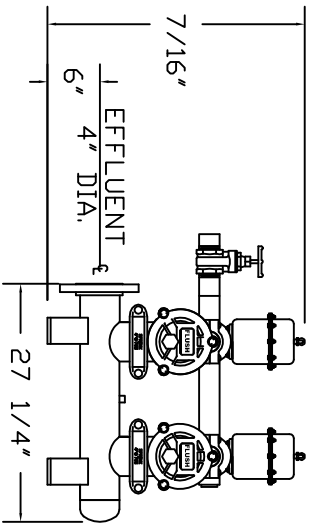
PLAN VIEW



LEFT END VIEW



ELEVATION VIEW



RIGHT END VIEW

THIS DRAWING, INCLUDING THE INFORMATION IT CONTAINS, IS CONFIDENTIAL, PROPRIETARY, AND IS THE PROPERTY OF YARDEY WATER MANAGEMENT, INC. IT IS SUBMITTED ONLY IN CONNECTION WITH THE TRANSACTION TO WHICH IT PERTAINS AND MUST NOT BE REPRODUCED, COPIED, MANIPULATED, OR TRANSMITTED IN ANY FORM OR BY ANY MEANS WITHOUT THE WRITTEN PERMISSION OF YARDEY WATER MANAGEMENT. THE DRAWING IS NOT TO BE COPIED AND MUST BE RETURNED UPON REQUEST. COPYRIGHT YARDEY WATER MANAGEMENT SYSTEMS, 1994.

CUSTOMER		 <p>Yardney WATER MANAGEMENT SYSTEMS REVERSHIDE, CALIFORNIA</p>
USED ON		
DRAWN BY		<p>MFS6-2A SCREENFILTER</p>
DATE	1-19-1996	
DRAWING NO.	9080106002	REV. A

NO.	REV	DESCRIPTION	DATE	BY	DATE	LOCATION	SHEET
A		WELD TABS ON MANWAY RINGS	10-12			SYSTEMS\MFS\GMFS INLINE	1 OF 1