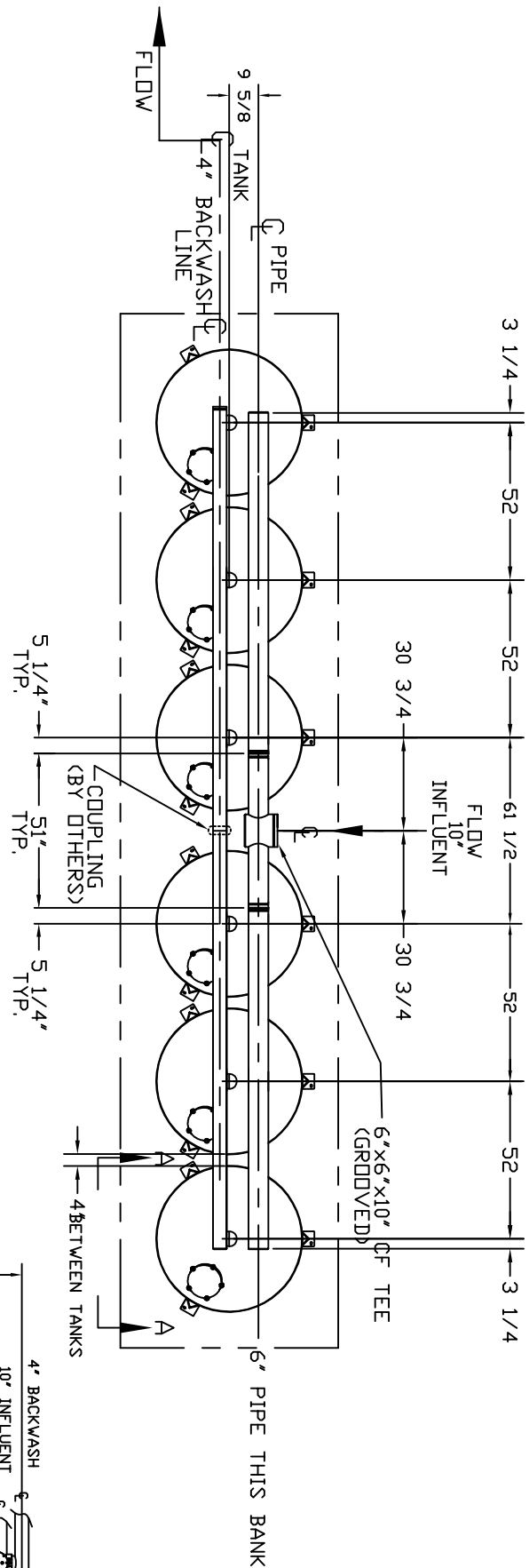
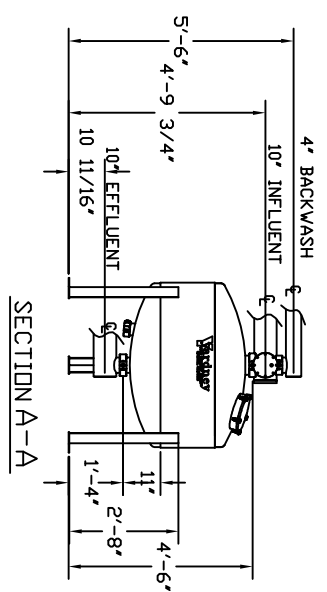
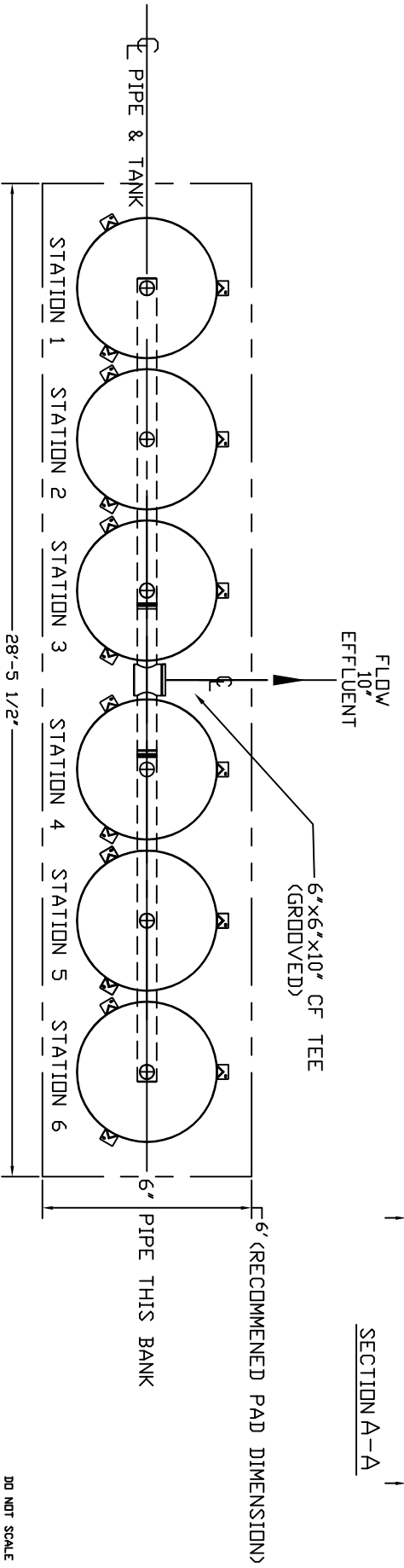


# UPPER (INLET) MANIFOLD LAYOUT

GOLF 48WW-6 LAYOUT



# LOWER (OUTLET) MANIFOLD LAYOUT



(RECOMMENED PAD DIMENSION)

DO NOT SCALE DVG.

|   |              |                       |
|---|--------------|-----------------------|
| <p>THIS DRAWING, INCLUDING THE INFORMATION IT CONTAINS, IS CONFIDENTIAL, PROPRIETARY, AND IS THE PROPERTY OF YARDNEY WATER MANAGEMENT SYSTEMS. IT IS TO BE USED ONLY FOR THE PROJECT AND SITE SPECIFICALLY IDENTIFIED HEREIN. IT IS NOT TO BE REPRODUCED, COPIED, OR TRANSMITTED IN ANY FORM OR BY ANY MEANS, ELECTRONIC OR MECHANICAL, INCLUDING PHOTOCOPYING, RECORDING, OR BY ANY INFORMATION STORAGE AND RETRIEVAL SYSTEM, WITHOUT THE WRITTEN PERMISSION OF YARDNEY WATER MANAGEMENT SYSTEMS. 1994</p> |              | <p>APPROVALS DATE</p> |
| 1   | DESIGNED BY  | DATE                  |
| 2   | DRAWN BY     | DATE                  |
| 3   | CHECKED BY   | DATE                  |
| 4   | IN CHARGE BY | DATE                  |
| 5   | BY DATE      | DATE                  |

**Yardney**  
 WATER MANAGEMENT SYSTEMS  
 FILTER GOLF  
 4816-6  
 9015481606  
 1 of 1