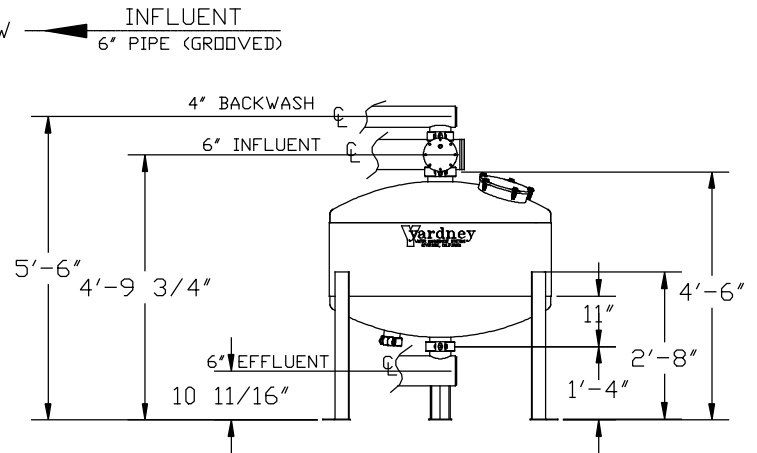
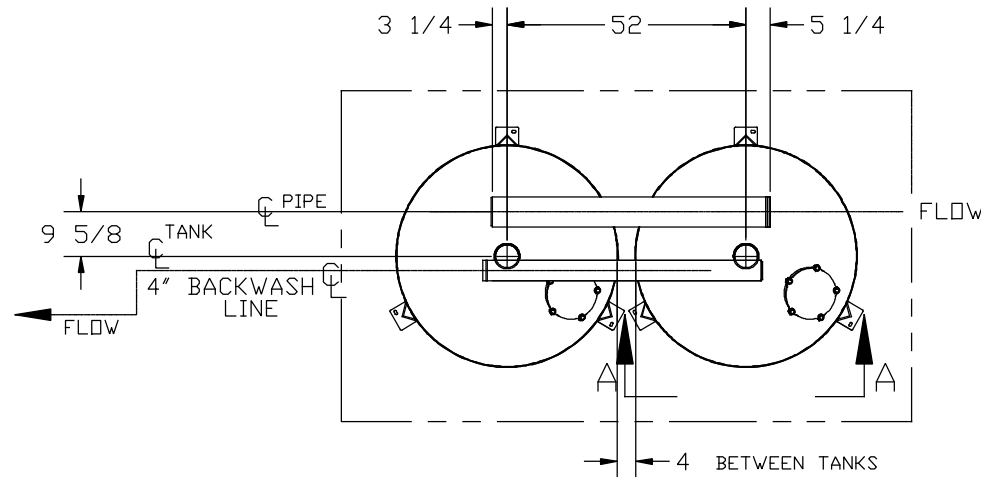


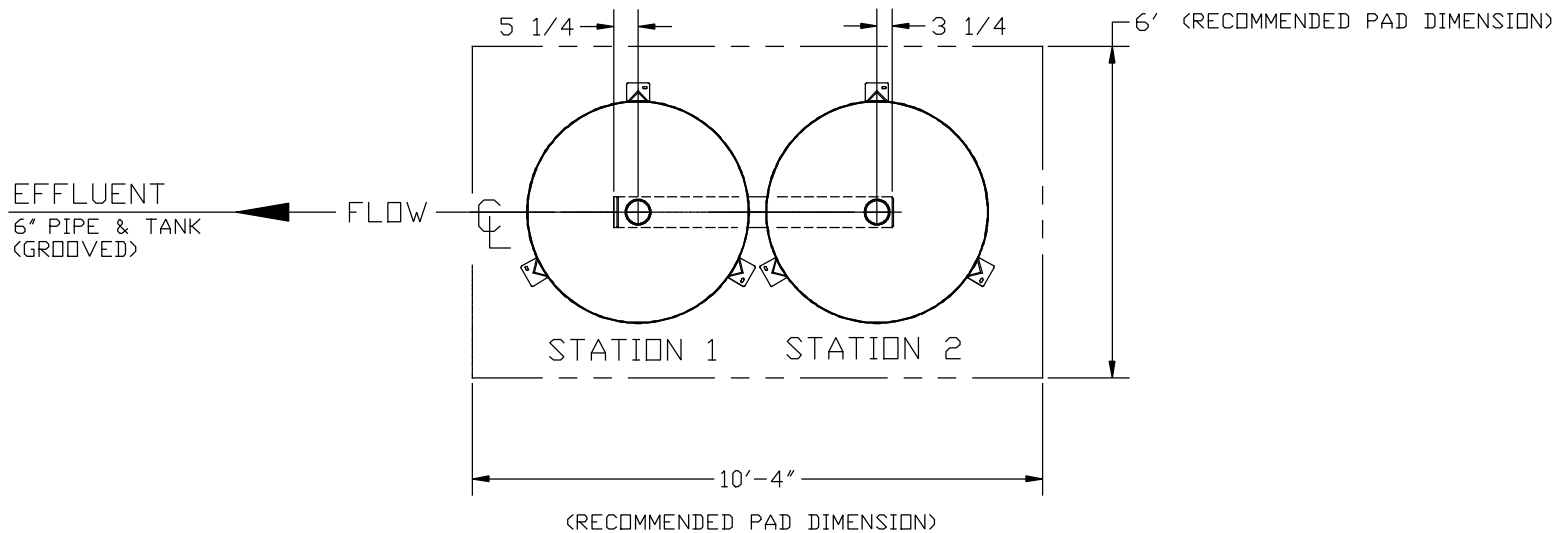
UPPER (INLET) MANIFOLD LAYOUT

GOLF 48W-2 LAYOUT



SECTION A-A

LOWER (OUTLET) MANIFOLD LAYOUT



DO NOT SCALE DWG.

THIS DRAWING, INCLUDING THE INFORMATION IT CONTAINS, IS CONFIDENTIAL, PROPRIETARY AND IS THE PROPERTY OF YARNEY WATER MANAGEMENT, INC. IT IS SUBMITTED ONLY IN CONNECTION WITH THE TRANSACTION TO WHICH IT PERTAINS AND MUST NOT BE USED IN ANY OTHER MANNER DETRIMENTAL TO THE INTERESTS OF YARNEY WATER MANAGEMENT. THE DRAWING IS NOT TO BE COPIED AND MUST BE RETURNED UPON REQUEST. COPYRIGHT YARNEY WATER MANAGEMENT SYSTEMS, 1994				 WATER MANAGEMENT SYSTEMS RIVERSIDE, CALIFORNIA	
APPROVALS		DATE	FILTER GOLF		
DRAWN BY: DTC		4-1-05	4816-2		
CHECKED BY:			SIZE	DRAWING NO:	REV:
APPROVED BY:			D	9015481602	A
ARCHITECTURAL SCALE:		NONE	SCALE:	DWG DIR:	SHEET
SYM		REVISIONS	BY	DATE	APP