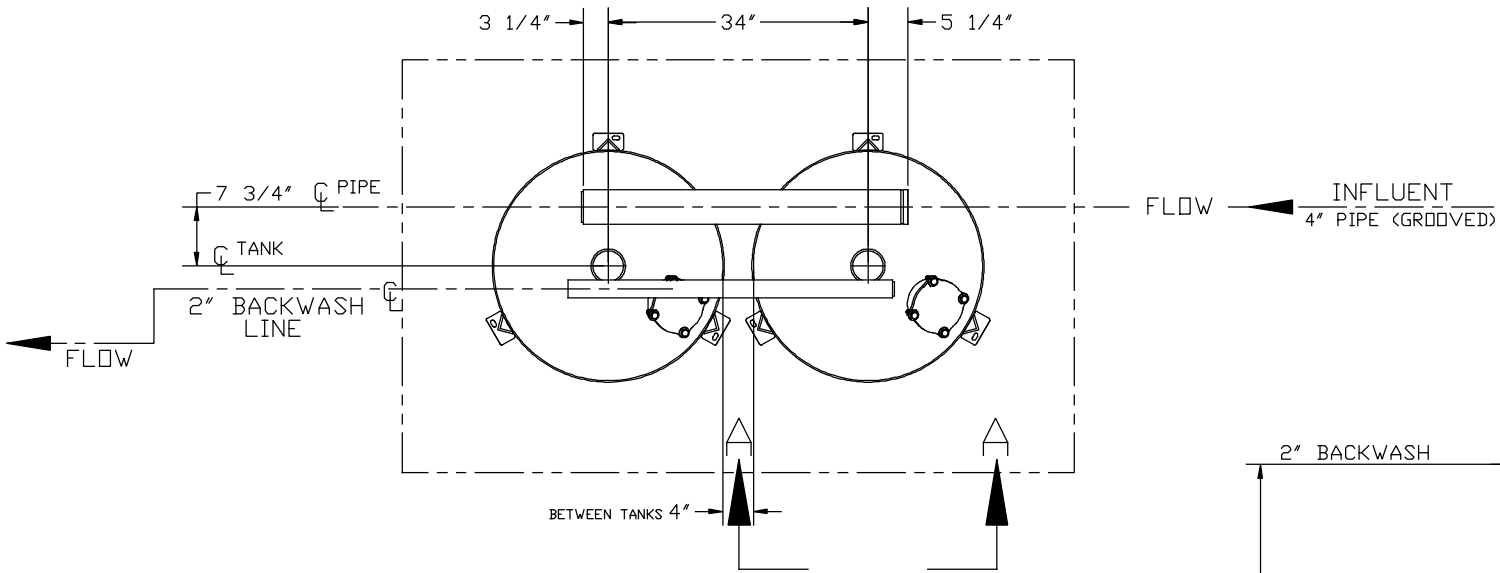
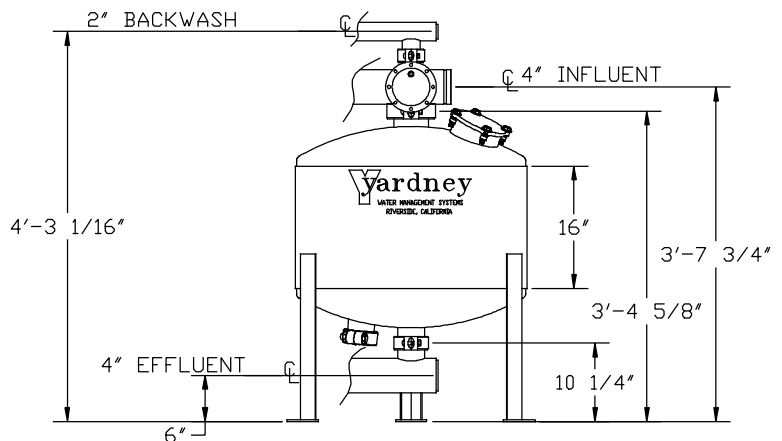
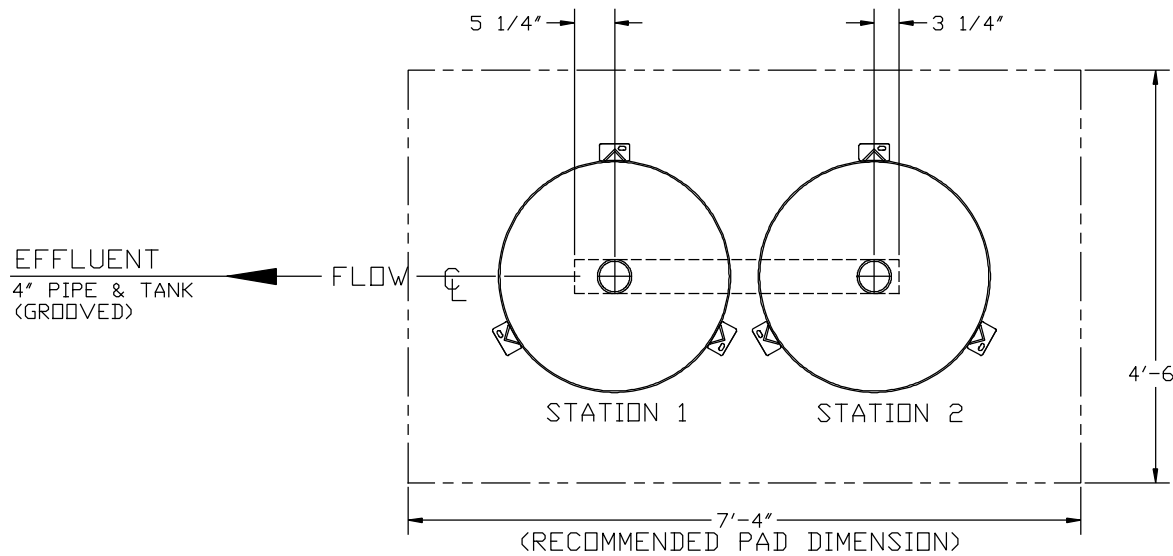


# GOLF 30WW-2 LAYOUT

## UPPER (INLET) MANIFOLD LAYOUT



## LOWER (OUTLET) MANIFOLD LAYOUT



SECTION A-A

DO NOT SCALE DWG.

<p>THIS DRAWING, INCLUDING THE INFORMATION IT CONTAINS, IS CONFIDENTIAL, PROPRIETARY AND IS THE PROPERTY OF YARDNEY WATER MANAGEMENT, INC. IT IS SUBMITTED ONLY IN CONNECTION WITH THE TRANSACTION TO WHICH IT PERTAINS AND MUST NOT BE USED IN ANY OTHER MANNER DETRIMENTAL TO THE INTERESTS OF YARDNEY WATER MANAGEMENT. THE DRAWING IS NOT TO BE COPIED AND MUST BE RETURNED UPON REQUEST. COPYRIGHT YARDNEY WATER MANAGEMENT SYSTEMS, 1994</p>							
<p>APPROVALS</p> <p>DRAWN BY: DTD</p> <p>CHECKED BY:</p>				<p>DATE: 4-6-05</p>		<p>SIZE: D</p> <p>DRAWING NO: 9015301602</p> <p>REV: B</p>	
<p>B DRAWN SECTION VIEW TO NEW DESIGN MANWAY</p> <p>A DRAWN TO SCALE</p> <p>SYM REVISIONS</p>				<p>DTG 9-08</p> <p>APP DTC 7-04</p> <p>BY DATE APP</p>		<p>SCALE: NONE</p> <p>DWG DIR: SYSTEMS\GOLF MEDIA</p> <p>SHEET 1 OF 1</p>	