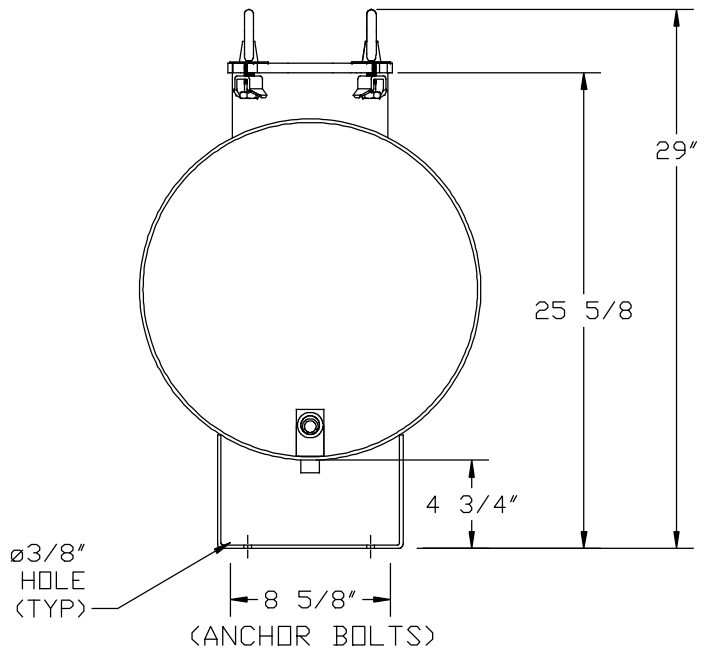
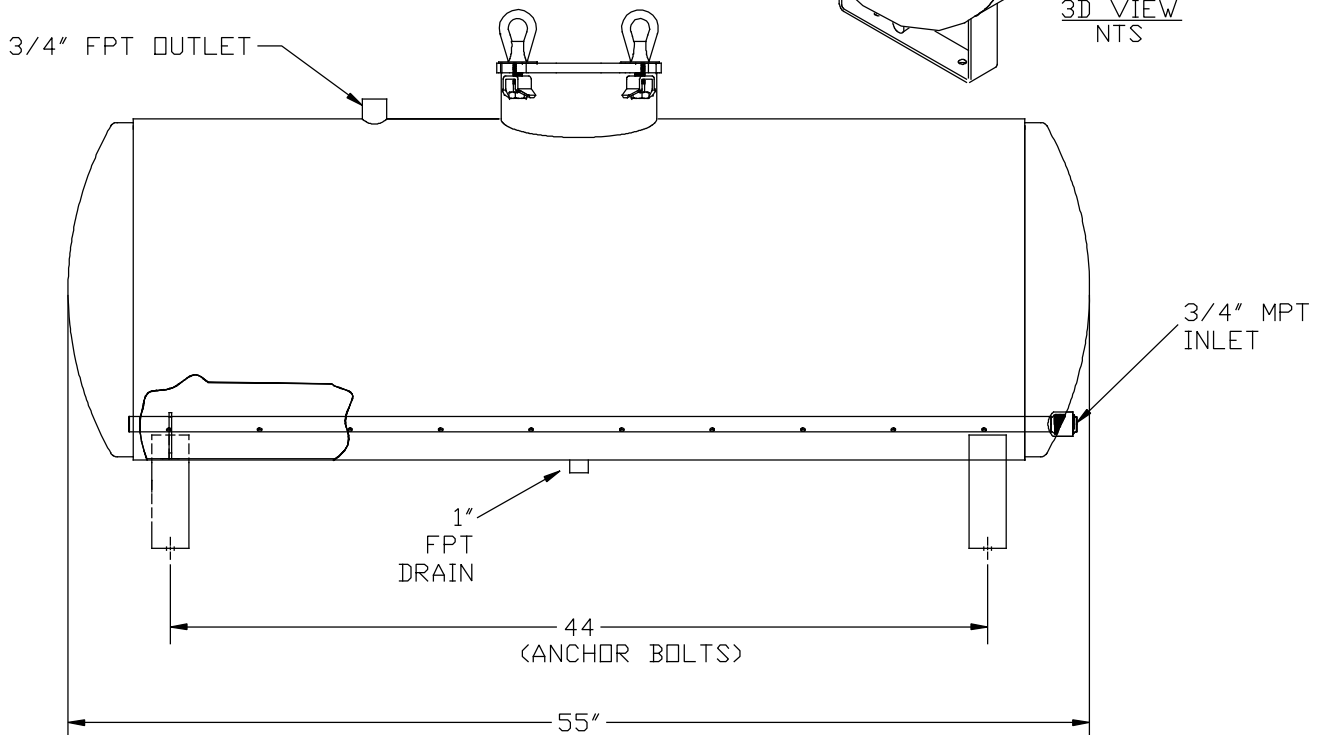
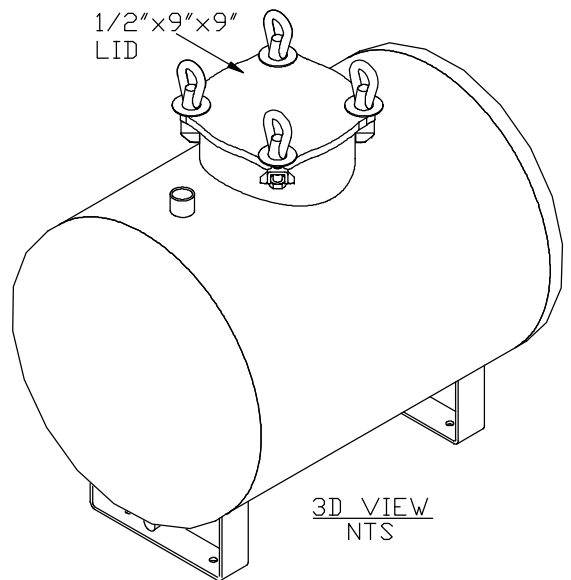


FERTILIZER TANK - 60 GAL.  
 MODEL: HF-60



THIS DRAWING, INCLUDING THE INFORMATION IT CONTAINS, IS CONFIDENTIAL, PROPRIETARY, AND IS THE PROPERTY OF YARDNEY WATER MANAGEMENT, INC. IT IS SUBMITTED ONLY IN CONNECTION WITH THE TRANSACTION TO WHICH IT PERTAINS AND MUST NOT BE USED IN ANY OTHER MANNER DETRIMENTAL TO THE INTERESTS OF YARDNEY WATER MANAGEMENT. THE DRAWING IS NOT TO BE COPIED AND MUST BE RETURNED UPON REQUEST. COPYRIGHT YARDNEY WATER MANAGEMENT SYSTEMS, 1994.				CUSTOMER	
				USED ON	
				DRAWN BY	
				DATE 6-30-2010	
				DRAWING NO. 312590600	
				REV. A	
A REPLACED TUBING 106060707 w/10500050				DTG 5-12	
NO. REVISION				BY DATE	
				LOCATION \SYSTEMS\TANK_FERT.GEN. SHEET 1 of 1	

