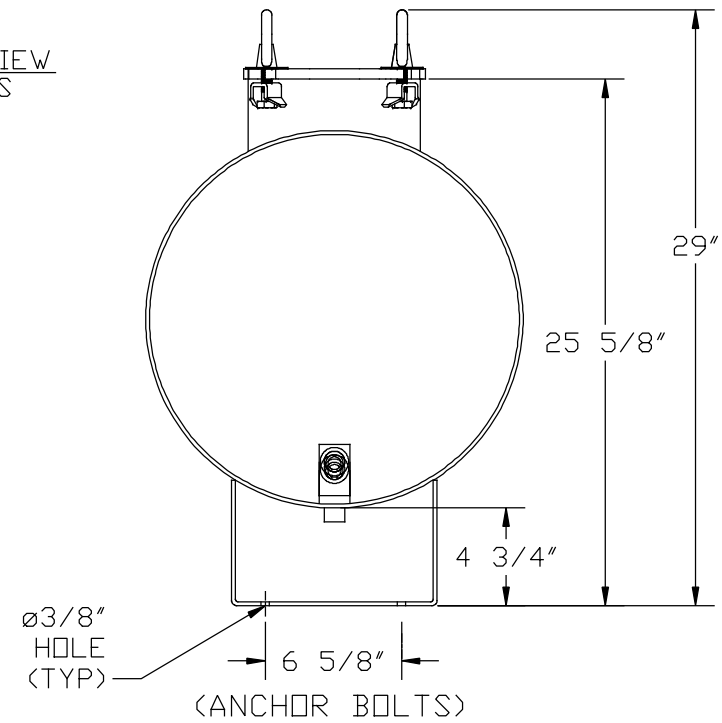
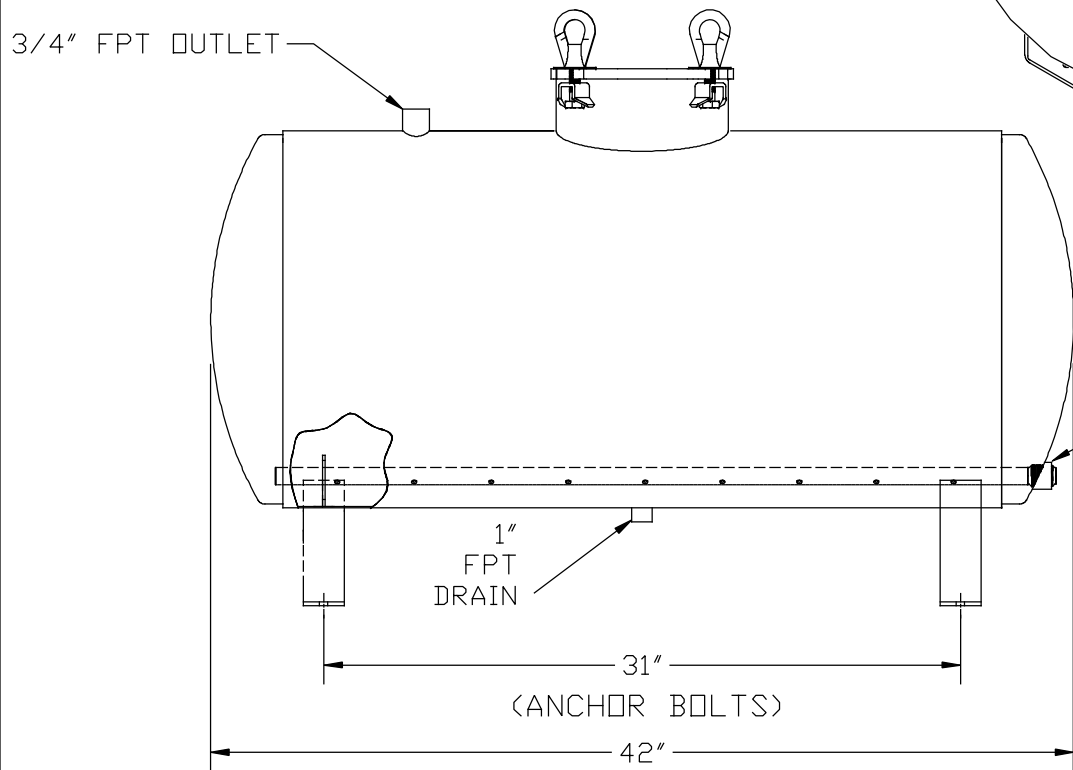
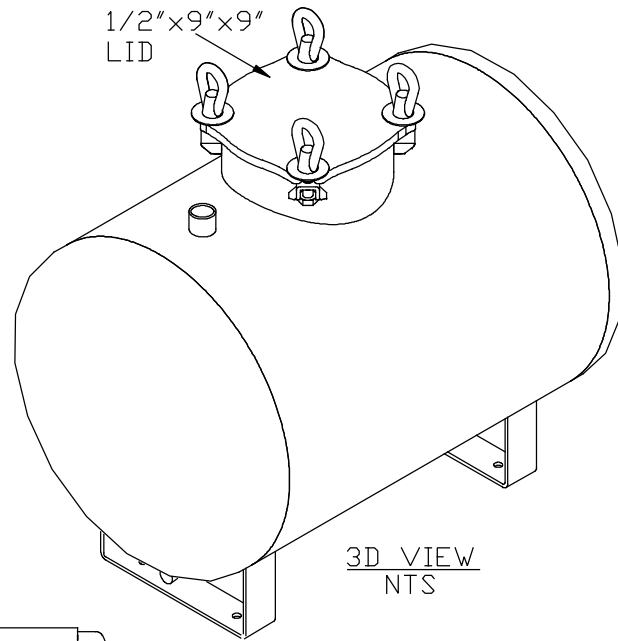



FERTILIZER TANK - 45 GAL.
MODEL: HF-45



THIS DRAWING, INCLUDING THE INFORMATION IT CONTAINS, IS CONFIDENTIAL, PROPRIETARY, AND IS THE PROPERTY OF YARDNEY WATER MANAGEMENT, INC. IT IS SUBMITTED ONLY IN CONNECTION WITH THE TRANSACTION TO WHICH IT PERTAINS AND MUST NOT BE USED IN ANY OTHER MANNER DETRIMENTAL TO THE INTERESTS OF YARDNEY WATER MANAGEMENT. THE DRAWING IS NOT TO BE COPIED AND MUST BE RETURNED UPON REQUEST. COPYRIGHT YARDNEY WATER MANAGEMENT SYSTEMS, 1994.

C	REPLACED TUBING 106060707 w/10500050	DTD	5-12
B	REPLACED EARS w/TUBE & EYE NUT	DTD	6-10
A	LOC. & SIZE 1/2" COUPL. TO 1"	DTC	9-05
NO.	REVISION	BY	DATE

CUSTOMER	 HF-45		
USED ON			
DRAWN BY			
DATE		6-24-05	
DRAWING NO.	312590450	REV	C
LOCATION	SYSTEMS\TANK_FERT\GEN	SHEET 1 OF 1	