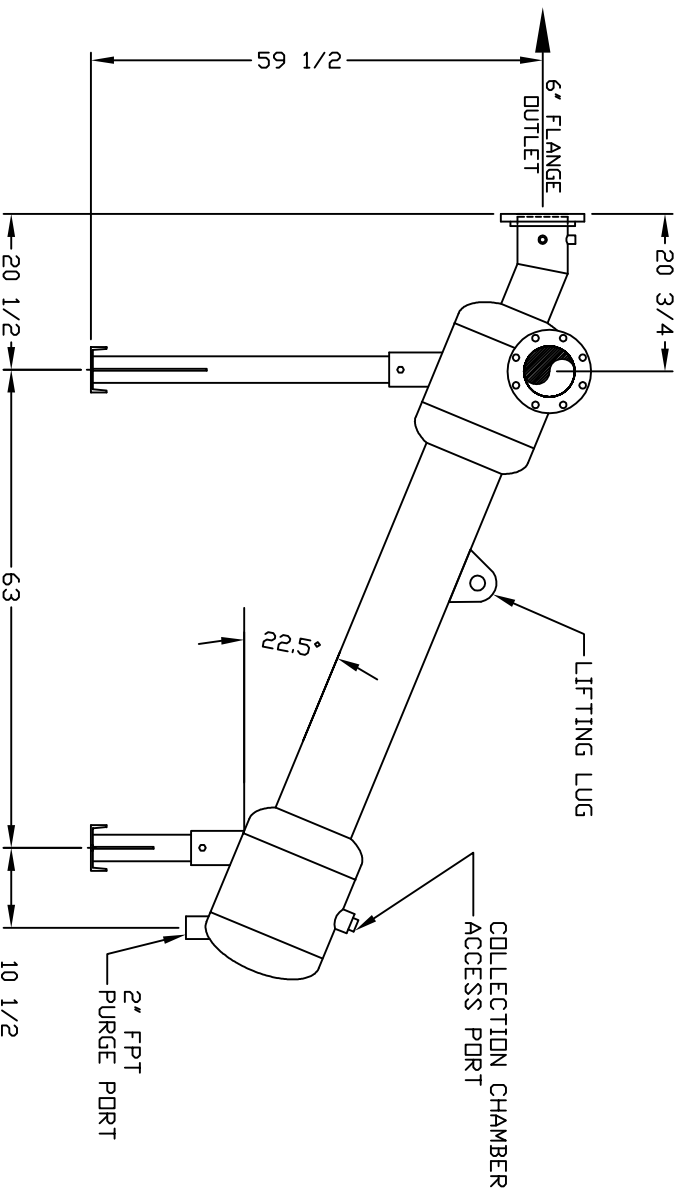
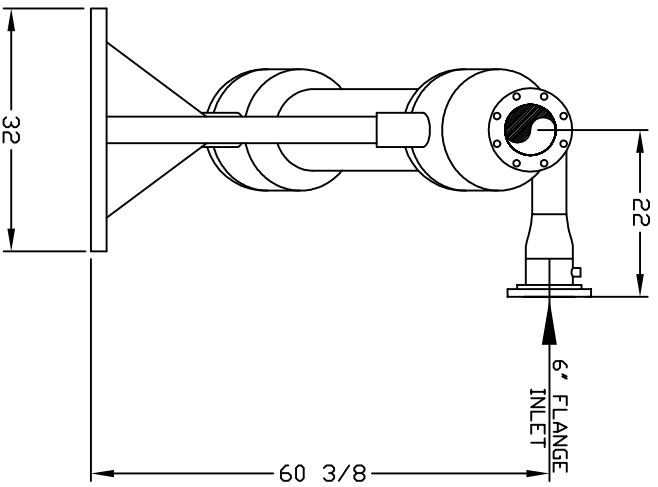


# SEPARATOR R-60LA



FLOW RATE: 365-960 GPM  
 MAX PRESSURE: 150 PSI MAX  
 MIN BACK PRESSURE: 15 PSI

THIS DRAWING, INCLUDING THE INFORMATION IT CONTAINS, IS CONFIDENTIAL, PROPRIETARY AND IS THE PROPERTY OF YARDEY WATER MANAGEMENT, INC. IT IS SUBMITTED ONLY IN CONNECTION WITH THE TRANSACTION TO WHICH IT PERTAINS AND MUST NOT BE USED IN ANY OTHER MANNER DETRIMENTAL TO THE INTERESTS OF YARDEY WATER MANAGEMENT. THE DRAWING IS NOT TO BE COPIED AND MUST BE RETURNED UPON REQUEST. COPYRIGHT YARDEY WATER MANAGEMENT SYSTEMS, 1993



SYN	REVISIONS	BY	DATE	APP	APPROVALS	DATE
					DESIGNER	1-13-06
					CHECKED BY	
					APPROVED BY	
					ARCHITECTURAL SCALE	
					USED ON	

SEPARATOR R-60LA	SIZE	DRAWING NO.	REV.
ANGLED	-	R_60LA	-
	SCALE	DWG DIR \ SEPARATOR\ R\ AG	SHEET 1 OF 1