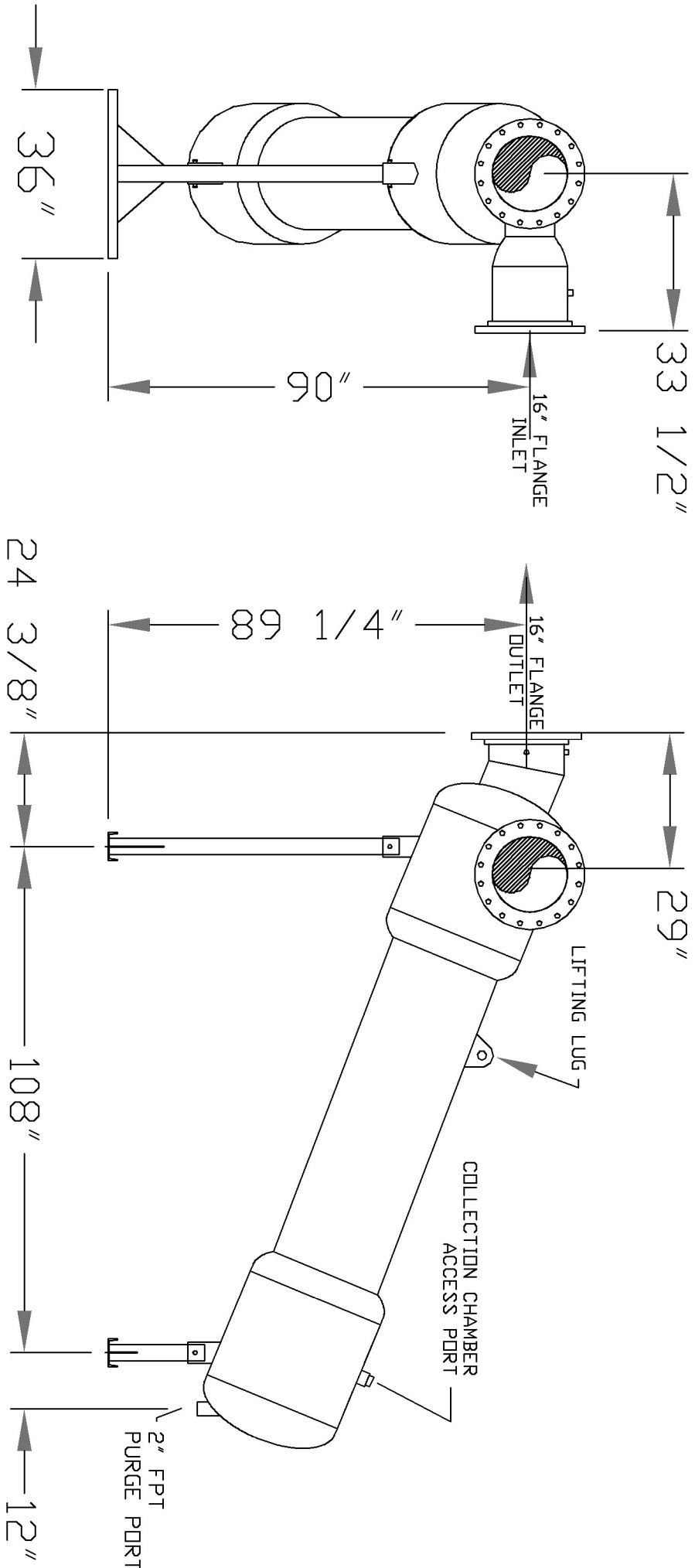


SEPARATOR R-160LA



FLOW RATE: 4000-6200 GPM
 MAX PRESSURE: 150 PSI MAX
 MIN BACK PRESSURE: 15 PSI

THIS DRAWING, INCLUDING THE INFORMATION IT CONTAINS, IS CONFIDENTIAL, PROPRIETARY AND IS THE PROPERTY OF YARDNEY WATER MANAGEMENT, INC. IT IS SUBMITTED ONLY IN CONNECTION WITH THE TRANSACTION TO WHICH IT PERTAINS AND MUST NOT BE USED IN ANY OTHER MANNER DETRIMENTAL TO THE INTERESTS OF YARDNEY WATER MANAGEMENT. THE DRAWING IS NOT TO BE COPIED AND MUST BE RETURNED UPON REQUEST. COPYRIGHT YARDNEY WATER MANAGEMENT SYSTEMS, 1993

<p>Yardney WATER MANAGEMENT SYSTEMS RIVERSIDE, CALIFORNIA</p>		APPROVALS: DATE DRAWN BY: DTCH-13-06 CHECKED BY:	SCALE: - SIZE: DRAWING NO: R-160LA REV: -
REVISIONS	BY	DATE	APP
SVN	BY	DATE	APP