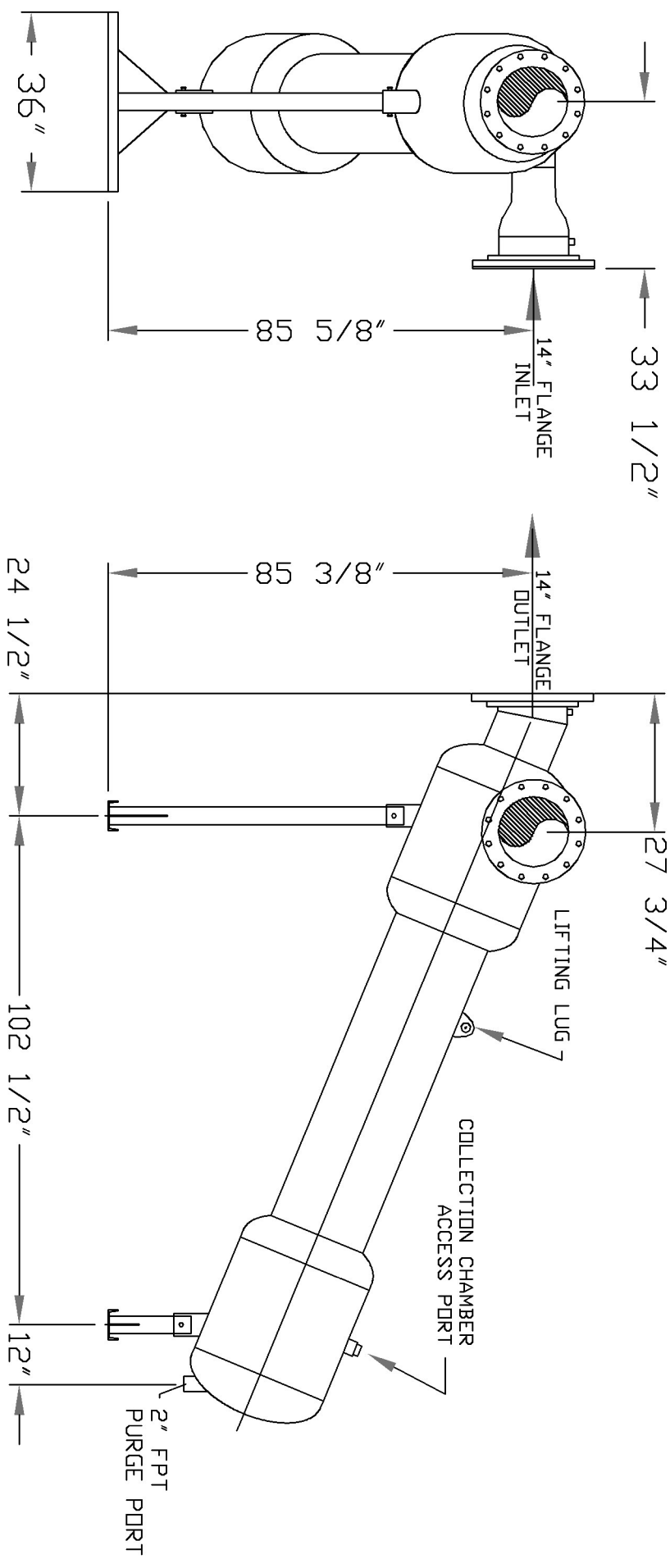



# SEPARATOR R-140LA



FLOW RATE: 2975-5000 GPM  
 MAX PRESSURE: 150 PSI MAX  
 MIN BACK PRESSURE: 15 PSI

THIS DRAWING, INCLUDING THE INFORMATION IT CONTAINS, IS CONFIDENTIAL, PROPRIETARY AND IS THE PROPERTY OF YARDNEY WATER MANAGEMENT, INC. IT IS SUBMITTED ONLY IN CONNECTION WITH THE TRANSACTION TO WHICH IT PERTAINS AND MUST NOT BE USED IN ANY OTHER MANNER DETRIMENTAL TO THE INTERESTS OF YARDNEY WATER MANAGEMENT. THE DRAWING IS NOT TO BE COPIED AND MUST BE RETURNED UPON REQUEST. COPYRIGHT YARDNEY WATER MANAGEMENT SYSTEMS, 1993

|             |           |         |   |                             |                                |              |
|-------------|-----------|---------|---|-----------------------------|--------------------------------|--------------|
| APPROVALS   |           | DATE    | <br>YARDNEY<br>WATER MANAGEMENT SYSTEMS<br>RIVERSIDE, CALIFORNIA | SEPARATOR R-140LA<br>ANGLED | SIZE<br>DRAWING NO.<br>R 140LA | REV.<br>-    |
| DESIGNED BY | DIC       | 1-13-06 |   |                             |                                |              |
| CHECKED BY  |           |         | SCALE   |                             | DWG DIR                        | SEP-R-140LA  |
| APPROVED BY |           |         | SCALE   |                             | DWG DIR                        | SEP-R-140LA  |
| SYMBOL      | REVISIONS | BY      | DATE  | APP                         | USED IN                        | SHEET 1 OF 1 |