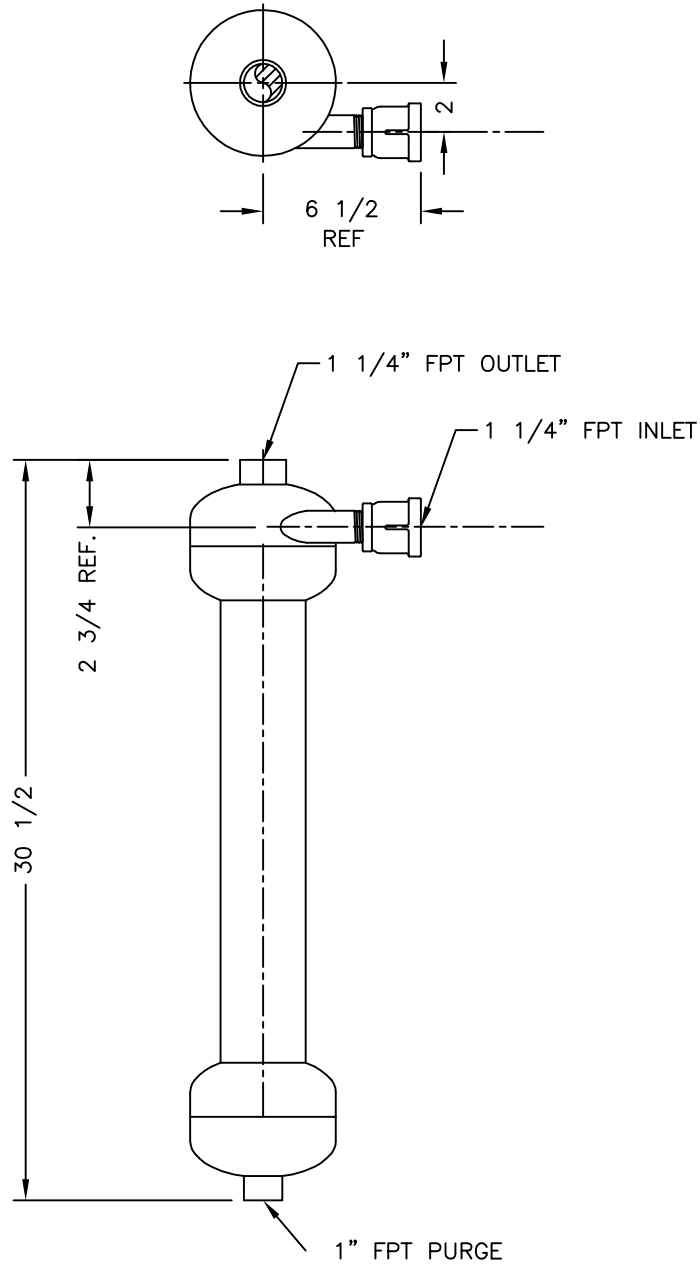


# R12V SEPARATOR



FLOW RATE: 26 – 52 GPM.  
 PRESSURE RATING: 150 PSI.  
 SHIPPING WEIGHT: 26 LBS.

THIS DRAWING, INCLUDING THE INFORMATION IT CONTAINS, IS CONFIDENTIAL, PROPRIETARY AND IS THE PROPERTY OF YARDNEY WATER MANAGEMENT, INC. IT IS SUBMITTED ONLY IN CONNECTION WITH THE TRANSACTION TO WHICH IT PERTAINS AND MUST NOT BE USED IN ANY OTHER MANNER DETRIMENTAL TO THE INTERESTS OF YARDNEY WATER MANAGEMENT. THE DRAWING IS NOT TO BE COPIED AND MUST BE RETURNED UPON REQUEST. COPYRIGHT YARDNEY WATER MANAGEMENT SYSTEMS, 1994				<b>Yardney</b> WATER MANAGEMENT SYSTEMS RIVERSIDE, CALIFORNIA	
				APPROVALS: _____ DATE: _____ DRAWN BY: JMW/14/03	R12V SEPARATOR
CHECKED BY: _____	APPROVED BY: _____	SIZE: _____	DRAWING NO: R12V	REV: _____	
SYM: _____	REVISIONS: _____	BY: _____ DATE: _____ APP: _____	USED ON: _____	SCALE: _____ DWG DIR: \SYSTEM\SEPARATOR\R12V SHEET 1 OF 1	