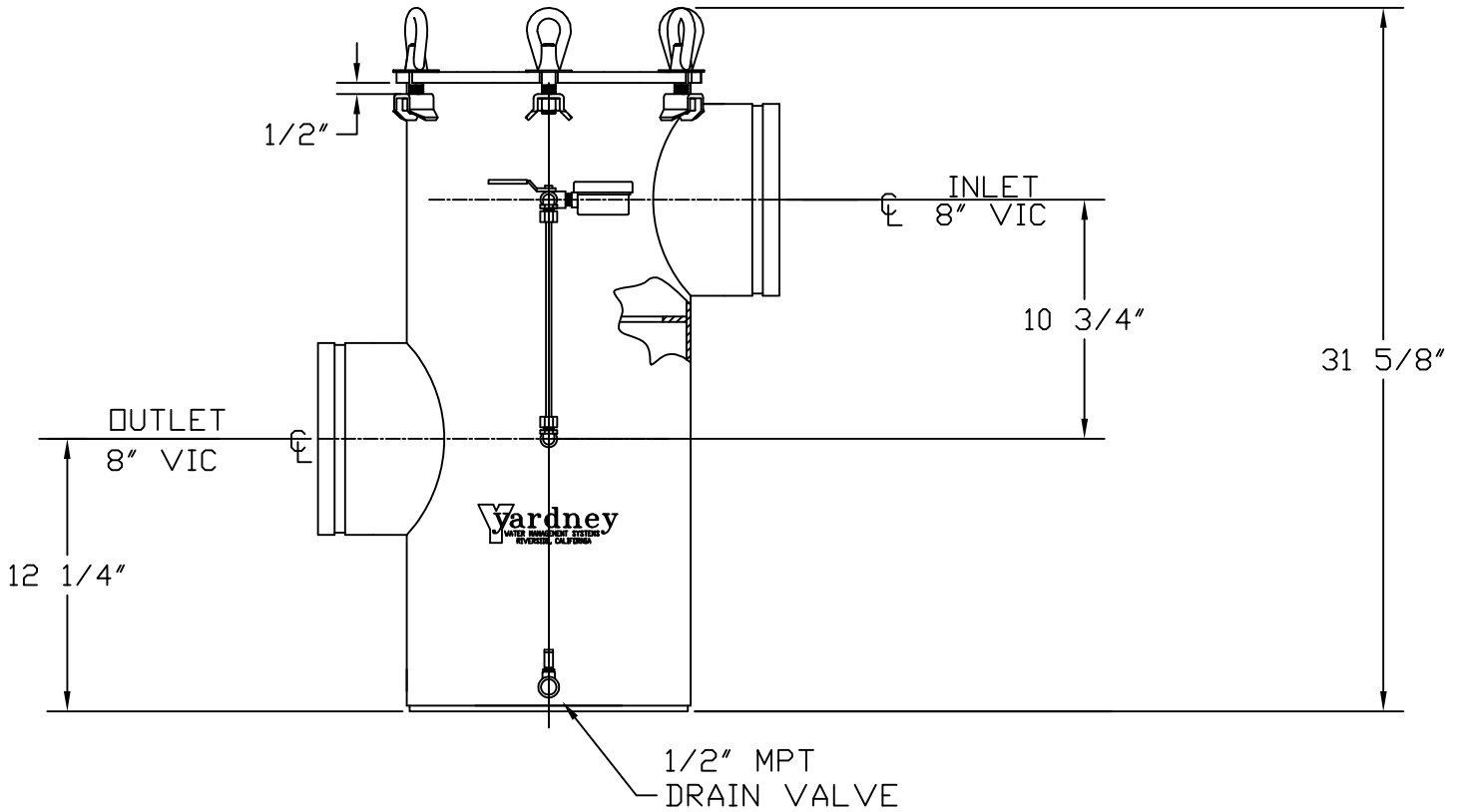
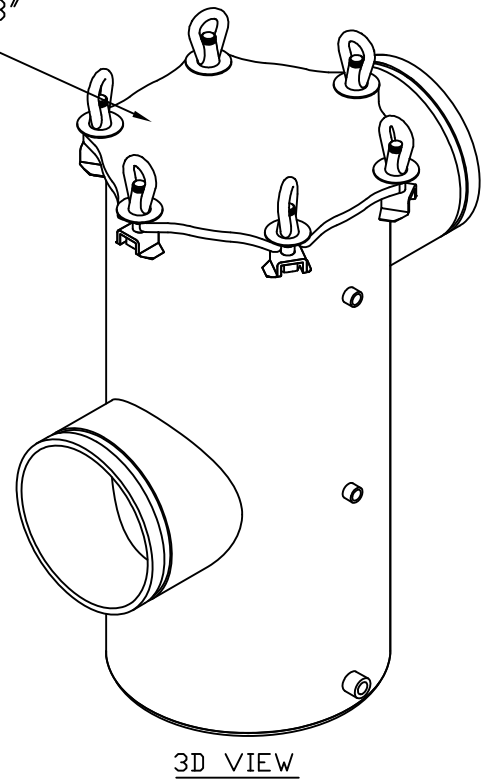
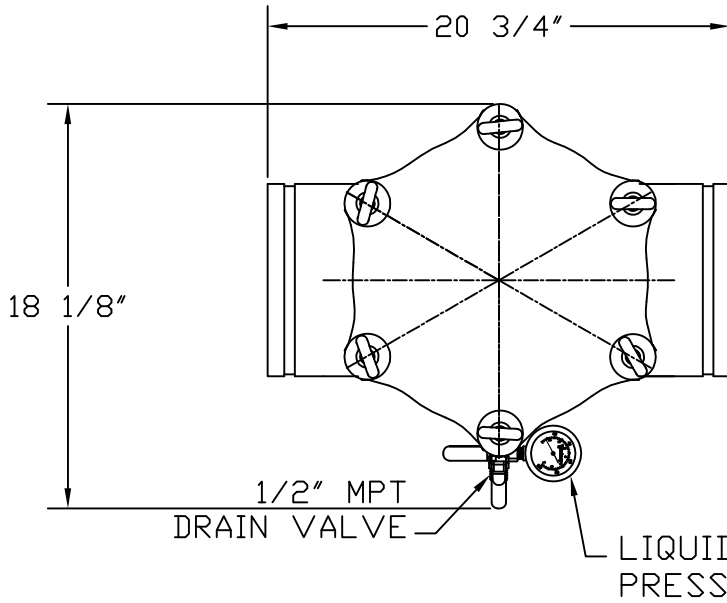


SB-8V BASKET STRAINER

1/2" x 12-1/4" x 13"
LID



NOTES: (UNLESS OTHERWISE STATED)
1. EPOXY COATED CARBON STEEL HOUSING.
2. POLYPROPYLENE SCREEN IN STAINLESS STEEL BASKET

MODEL	MAX FLOW	MAX PRESSURE
	GPM	PSI
SB 8	1250	80
Cartridge Mesh Options:		
40, 80, 100, 140, 200		

THIS DRAWING, INCLUDING THE INFORMATION IT CONTAINS, IS CONFIDENTIAL, PROPRIETARY, AND IS THE PROPERTY OF YARNEY WATER MANAGEMENT, INC. IT IS SUBMITTED ONLY IN CONNECTION WITH THE TRANSACTION TO WHICH IT PERTAINS AND MUST NOT BE USED IN ANY OTHER MANNER DETRIMENTAL TO THE INTERESTS OF YARNEY WATER MANAGEMENT. THE DRAWING IS NOT TO BE COPIED AND MUST BE RETURNED UPON REQUEST. COPYRIGHT YARNEY WATER MANAGEMENT SYSTEMS, 1994.			
C	ADDED GAGE, 3-WAY & DRAIN VALVE	DTD	11-12
B	REPLACED 5/8" NUTS w/5/8" WELD TABS	DTD	8-12
A	1/2" HALF CPLG MOVED TO FRONT	DTD	7-10
NO.	REVISION	BY	DATE

CUSTOMER	 BASKET STRAINER	REV: C
USED ON		
DRAWN BY		DTD
DATE	2004	
DRAWING NO:	9125000108	
LOCATION:	SYSTEMS_SB_GENERIC	SHEET 1 OF 1