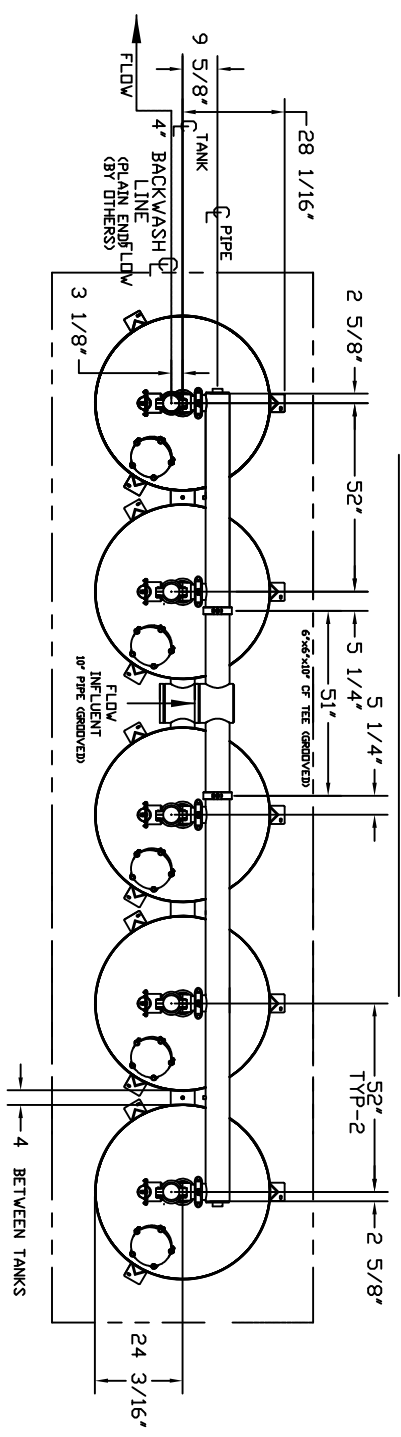


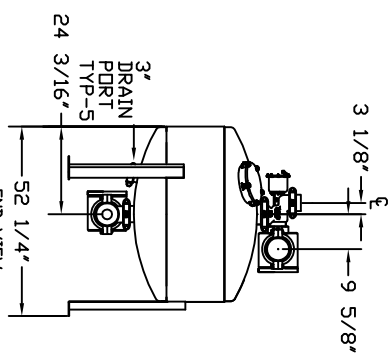
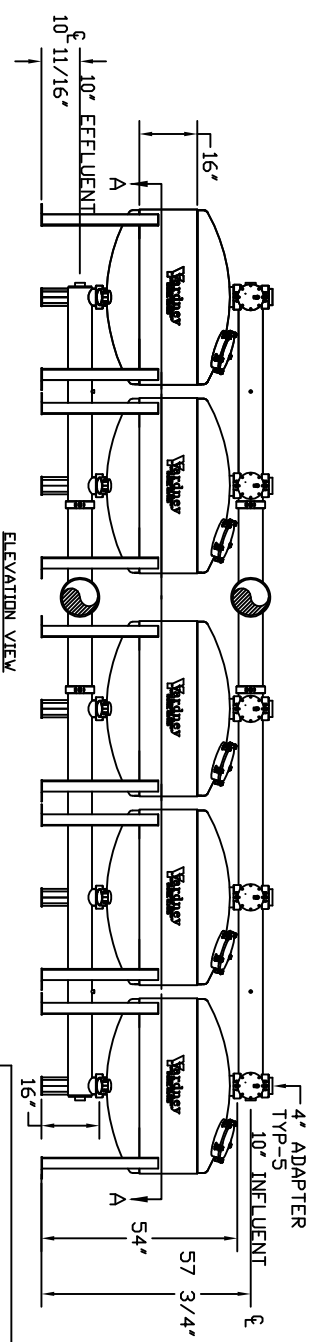
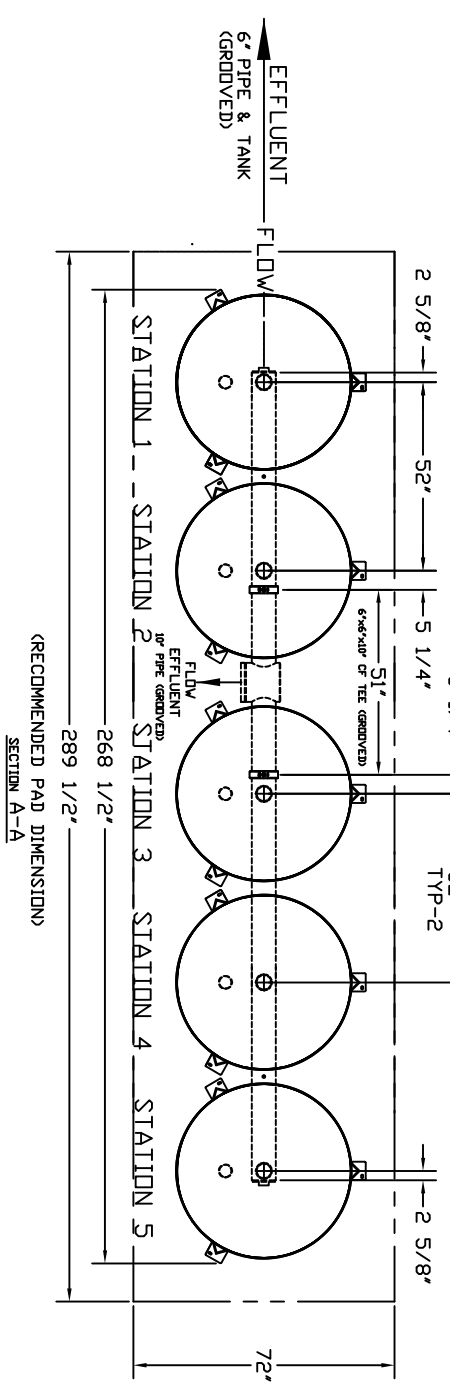
SM 4816-5A

UPPER (INLET) MANIFOLD LAYOUT



NOTES:
 1. FLOW RATE DESIGN: 1,063-1,563 GPM.

LOWER (OUTLET) MANIFOLD LAYOUT



ELEVATION VIEW



DO NOT SCALE DWG.

THIS DRAWING, INCLUDING THE INFORMATION IT CONTAINS, IS CONFIDENTIAL AND IS THE PROPERTY OF YARDNEY WATER SYSTEMS. IT IS TO BE USED ONLY FOR THE PROJECT AND SITE SPECIFICALLY IDENTIFIED HEREIN. IT IS NOT TO BE REPRODUCED, COPIED, OR TRANSMITTED IN ANY FORM OR BY ANY MEANS, ELECTRONIC OR MECHANICAL, INCLUDING PHOTOCOPYING, RECORDING, OR BY ANY INFORMATION STORAGE AND RETRIEVAL SYSTEM, WITHOUT THE WRITTEN PERMISSION OF YARDNEY WATER SYSTEMS. ANY UNAUTHORIZED USE OR DISSEMINATION OF THIS INFORMATION IS STRICTLY PROHIBITED. ANY VIOLATION OF THIS NOTICE SHALL BE SUBJECT TO LEGAL ACTION. COPYRIGHT YARDNEY WATER MANAGEMENT SYSTEMS, 1994.		APPROVALS	DATE
A		DTC	8-04
B		DTC	9-08
C		DTC	11-12
D		DTC	11-12
E		DTC	11-12
F		DTC	11-12
G		DTC	11-12
H		DTC	11-12
I		DTC	11-12
J		DTC	11-12
K		DTC	11-12
L		DTC	11-12
M		DTC	11-12
N		DTC	11-12
O		DTC	11-12
P		DTC	11-12
Q		DTC	11-12
R		DTC	11-12
S		DTC	11-12
T		DTC	11-12
U		DTC	11-12
V		DTC	11-12
W		DTC	11-12
X		DTC	11-12
Y		DTC	11-12
Z		DTC	11-12
AA		DTC	11-12
AB		DTC	11-12
AC		DTC	11-12
AD		DTC	11-12
AE		DTC	11-12
AF		DTC	11-12
AG		DTC	11-12
AH		DTC	11-12
AI		DTC	11-12
AJ		DTC	11-12
AK		DTC	11-12
AL		DTC	11-12
AM		DTC	11-12
AN		DTC	11-12
AO		DTC	11-12
AP		DTC	11-12
AQ		DTC	11-12
AR		DTC	11-12
AS		DTC	11-12
AT		DTC	11-12
AU		DTC	11-12
AV		DTC	11-12
AW		DTC	11-12
AX		DTC	11-12
AY		DTC	11-12
AZ		DTC	11-12
BA		DTC	11-12
BB		DTC	11-12
BC		DTC	11-12
BD		DTC	11-12
BE		DTC	11-12
BF		DTC	11-12
BG		DTC	11-12
BH		DTC	11-12
BI		DTC	11-12
BJ		DTC	11-12
BK		DTC	11-12
BL		DTC	11-12
BM		DTC	11-12
BN		DTC	11-12
BO		DTC	11-12
BP		DTC	11-12
BQ		DTC	11-12
BR		DTC	11-12
BS		DTC	11-12
BT		DTC	11-12
BU		DTC	11-12
BV		DTC	11-12
BW		DTC	11-12
BX		DTC	11-12
BY		DTC	11-12
BZ		DTC	11-12
CA		DTC	11-12
CB		DTC	11-12
CC		DTC	11-12
CD		DTC	11-12
CE		DTC	11-12
CF		DTC	11-12
CG		DTC	11-12
CH		DTC	11-12
CI		DTC	11-12
CJ		DTC	11-12
CK		DTC	11-12
CL		DTC	11-12
CM		DTC	11-12
CN		DTC	11-12
CO		DTC	11-12
CP		DTC	11-12
CQ		DTC	11-12
CR		DTC	11-12
CS		DTC	11-12
CT		DTC	11-12
CU		DTC	11-12
CV		DTC	11-12
CW		DTC	11-12
CX		DTC	11-12
CY		DTC	11-12
CZ		DTC	11-12
DA		DTC	11-12
DB		DTC	11-12
DC		DTC	11-12
DD		DTC	11-12
DE		DTC	11-12
DF		DTC	11-12
DG		DTC	11-12
DH		DTC	11-12
DI		DTC	11-12
DJ		DTC	11-12
DK		DTC	11-12
DL		DTC	11-12
DM		DTC	11-12
DN		DTC	11-12
DO		DTC	11-12
DP		DTC	11-12
DQ		DTC	11-12
DR		DTC	11-12
DS		DTC	11-12
DT		DTC	11-12
DU		DTC	11-12
DV		DTC	11-12
DW		DTC	11-12
DX		DTC	11-12
DY		DTC	11-12
DZ		DTC	11-12
EA		DTC	11-12
EB		DTC	11-12
EC		DTC	11-12
ED		DTC	11-12
EE		DTC	11-12
EF		DTC	11-12
EG		DTC	11-12
EH		DTC	11-12
EI		DTC	11-12
EJ		DTC	11-12
EK		DTC	11-12
EL		DTC	11-12
EM		DTC	11-12
EN		DTC	11-12
EO		DTC	11-12
EP		DTC	11-12
EQ		DTC	11-12
ER		DTC	11-12
ES		DTC	11-12
ET		DTC	11-12
EU		DTC	11-12
EV		DTC	11-12
EW		DTC	11-12
EX		DTC	11-12
EY		DTC	11-12
EZ		DTC	11-12
FA		DTC	11-12
FB		DTC	11-12
FC		DTC	11-12
FD		DTC	11-12
FE		DTC	11-12
FF		DTC	11-12
FG		DTC	11-12
FH		DTC	11-12
FI		DTC	11-12
FJ		DTC	11-12
FK		DTC	11-12
FL		DTC	11-12
FM		DTC	11-12
FN		DTC	11-12
FO		DTC	11-12
FP		DTC	11-12
FQ		DTC	11-12
FR		DTC	11-12
FS		DTC	11-12
FT		DTC	11-12
FU		DTC	11-12
FV		DTC	11-12
FW		DTC	11-12
FX		DTC	11-12
FY		DTC	11-12
FZ		DTC	11-12
GA		DTC	11-12
GB		DTC	11-12
GC		DTC	11-12
GD		DTC	11-12
GE		DTC	11-12
GF		DTC	11-12
GG		DTC	11-12
GH		DTC	11-12
GI		DTC	11-12
GJ		DTC	11-12
GK		DTC	11-12
GL		DTC	11-12
GM		DTC	11-12
GN		DTC	11-12
GO		DTC	11-12
GP		DTC	11-12
GQ		DTC	11-12
GR		DTC	11-12
GS		DTC	11-12
GT		DTC	11-12
GU		DTC	11-12
GV		DTC	11-12
GW		DTC	11-12
GX		DTC	11-12
GY		DTC	11-12
GZ		DTC	11-12
HA		DTC	11-12
HB		DTC	11-12
HC		DTC	11-12
HD		DTC	11-12
HE		DTC	11-12
HF		DTC	11-12
HG		DTC	11-12
HH		DTC	11-12
HI		DTC	11-12
HJ		DTC	11-12
HK		DTC	11-12
HL		DTC	11-12
HM		DTC	11-12
HN		DTC	11-12
HO		DTC	11-12
HP		DTC	11-12
HQ		DTC	11-12
HR		DTC	11-12
HS		DTC	11-12
HT		DTC	11-12
HU		DTC	11-12
HV		DTC	11-12
HW		DTC	11-12
HX		DTC	11-12
HY		DTC	11-12
HZ		DTC	11-12
IA		DTC	11-12
IB		DTC	11-12
IC		DTC	11-12
ID		DTC	11-12
IE		DTC	11-12
IF		DTC	11-12
IG		DTC	11-12
IH		DTC	11-12
II		DTC	11-12
IJ		DTC	11-12
IK		DTC	11-12
IL		DTC	11-12
IM		DTC	11-12
IN		DTC	11-12
IO		DTC	11-12
IP		DTC	11-12
IQ		DTC	11-12
IR		DTC	11-12
IS		DTC	11-12
IT		DTC	11-12
IU		DTC	11-12
IV		DTC	11-12
IW		DTC	11-12
IX		DTC	11-12
IY		DTC	11-12
IZ		DTC	11-12
JA		DTC	11-12
JB		DTC	11-12
JC		DTC	11-12
JD		DTC	11-12
JE		DTC	11-12
JF		DTC	11-12
JG		DTC	11-12
JH		DTC	11-12
JI		DTC	11-12
JJ		DTC	11-12
JK		DTC	11-12
JL		DTC	11-12
JM		DTC	11-12
JN		DTC	11-12
JO		DTC	11-12
JP		DTC	11-12
JQ		DTC	11-12
JR		DTC	11-12
JS		DTC	11-12
JT		DTC	11-12
JU		DTC	11-12
JV		DTC	11-12
JW		DTC	11-12
JX		DTC	11-12
JY		DTC	11-12
JZ		DTC	11-12
KA		DTC	11-12
KB		DTC	11-12
KC		DTC	11-12
KD		DTC	11-12
KE		DTC	11-12
KF		DTC	11-12
KG		DTC	11-12
KH		DTC	11-12
KI		DTC	11-12
KJ		DTC	11-12
KK		DTC	11-12
KL		DTC	11-12
KM		DTC	11-12
KN		DTC	11-12
KO		DTC	11-12
KP		DTC	11-12
KQ		DTC	11-12
KR		DTC	11-12
KS		DTC	11-12
KT		DTC	11-12
KU		DTC	11-12
KV		DTC	11-12
KW		DTC	11-12
KX		DTC	11-12
KY		DTC	11-12
KZ		DTC	11-12
LA		DTC	11-12