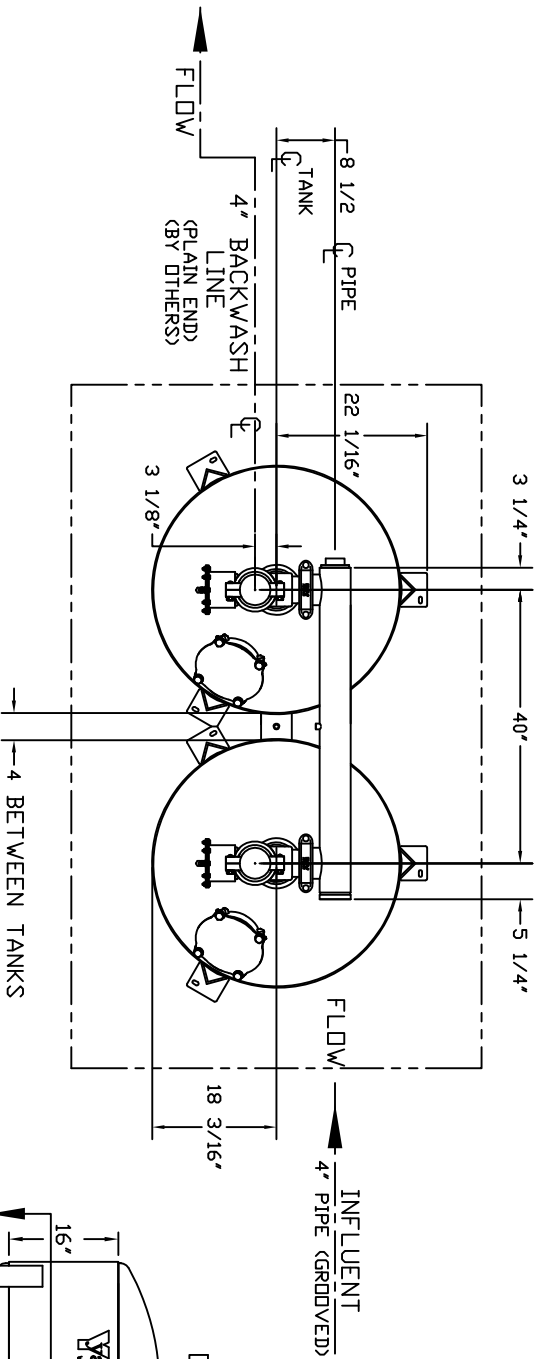
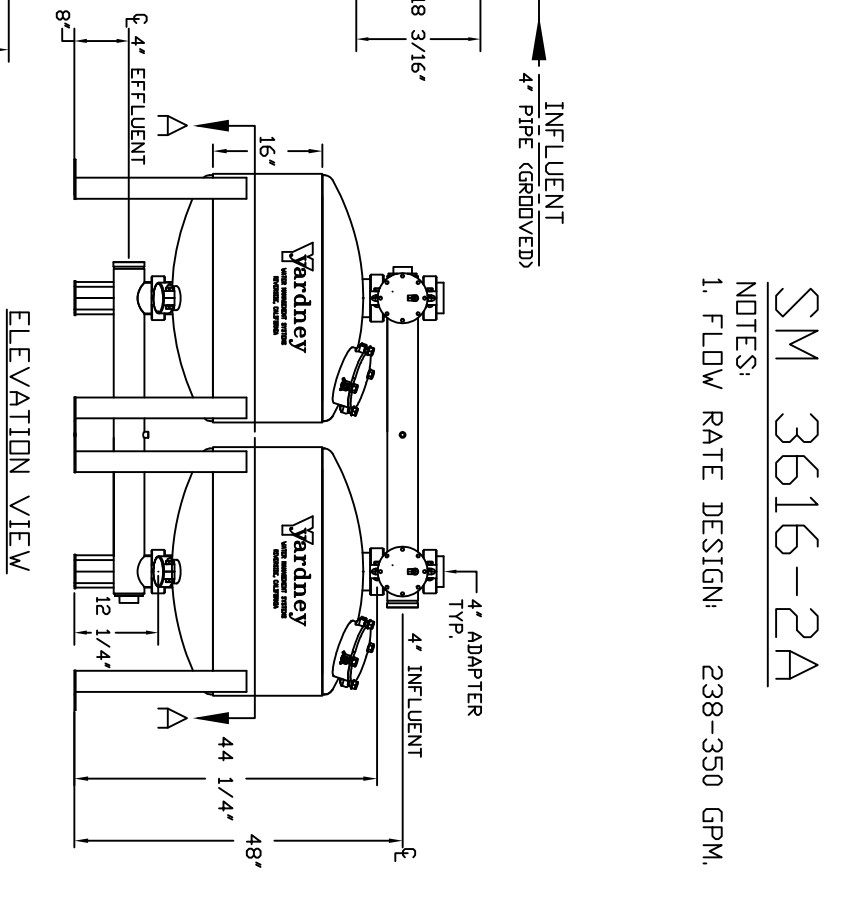
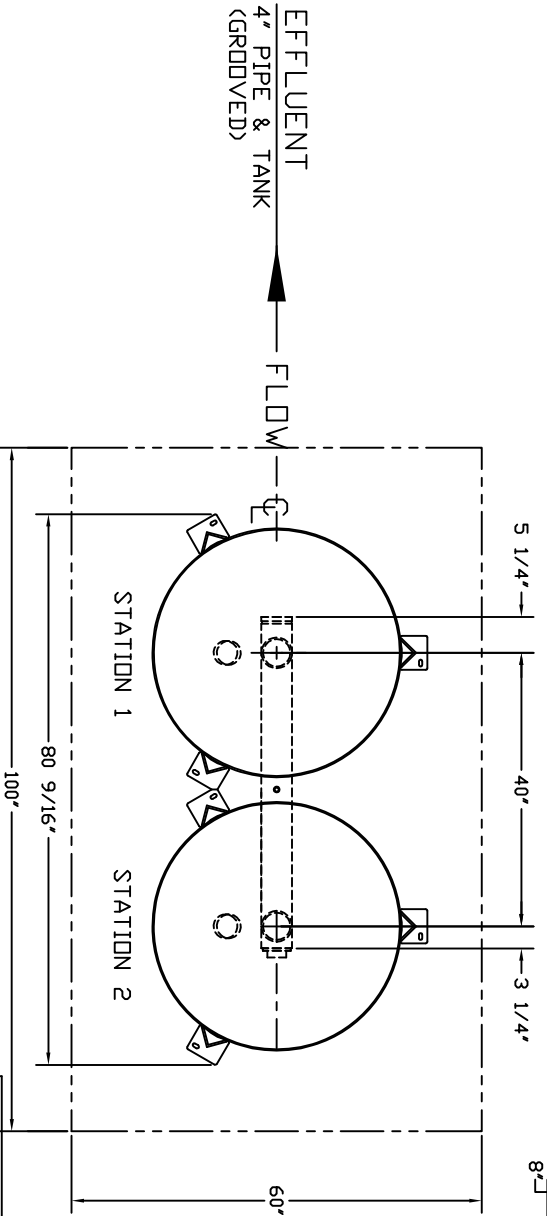


UPPER (INLET) MANIFOLD LAYOUT



LOWER (OUTLET) MANIFOLD LAYOUT



SM 3616-2A

NOTES:
1. FLOW RATE DESIGN: 238-350 GPM.

SECTION A-A

(RECOMMENDED PAD DIMENSION)

THIS DRAWING, INCLUDING THE INFORMATION IT CONTAINS, IS CONFIDENTIAL, PROPRIETARY AND IS THE PROPERTY OF YARDNEY WATER MANAGEMENT, INC. IT IS SUBMITTED ONLY IN CONNECTION WITH THE PROJECT AND IS NOT TO BE REPRODUCED OR USED IN ANY OTHER MANNER WITHOUT THE WRITTEN CONSENT OF YARDNEY WATER MANAGEMENT. THE DRAWING IS NOT TO BE COPIED, REPRODUCED, OR TRANSMITTED IN ANY FORM OR BY ANY MEANS, ELECTRONIC OR MECHANICAL, INCLUDING PHOTOCOPYING, RECORDING, OR BY ANY INFORMATION STORAGE AND RETRIEVAL SYSTEMS, WITHOUT THE WRITTEN PERMISSION OF YARDNEY WATER MANAGEMENT SYSTEMS, 1994.

C WELD TABS ON MANWAY RINGS, ADDED NOTES.

DO NOT SCALE DWG.

APPROVALS DATE:
 DRAWN BY: KATI 3/18/08
 CHECKED BY:
 APPROVED BY:
 PROJECT NO:
 SIZE: DRAWING NO: 9000361602
 SCALE: NONE DWG. DIMS: SYSTEMS\AG (SM) SHEET 1 OF 1

REV.	DESCRIPTION	DATE
A <td>DRAWN TO SCALE</td> <td>7-04</td>	DRAWN TO SCALE	7-04
B <td>DRAWN SECTION VIEW TO NEW DESIGN MANWAY</td> <td>9-08</td>	DRAWN SECTION VIEW TO NEW DESIGN MANWAY	9-08
C <td>WELD TABS ON MANWAY RINGS, ADDED NOTES.</td> <td>11-12</td>	WELD TABS ON MANWAY RINGS, ADDED NOTES.	11-12
SYM <td>REVISIONS</td> <td></td>	REVISIONS	