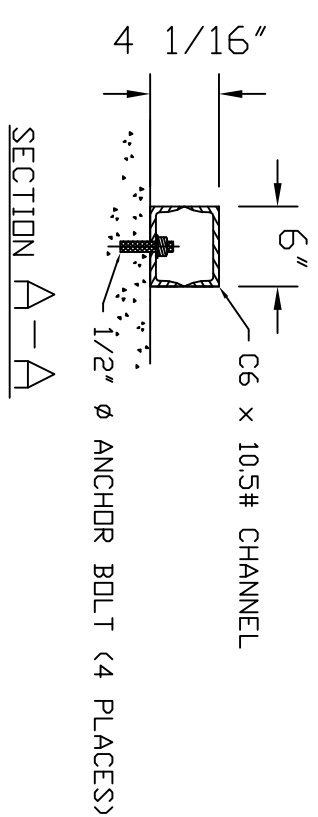
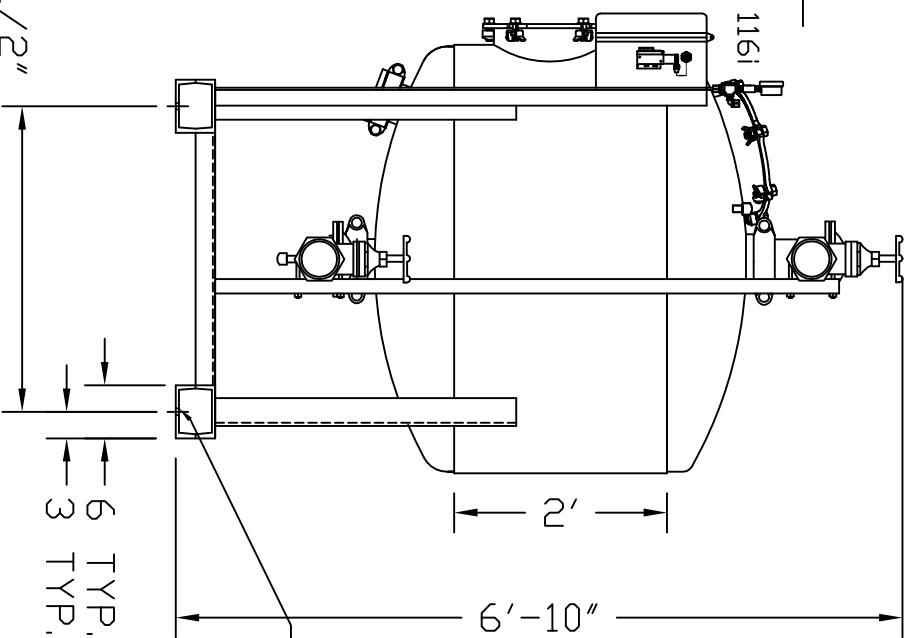
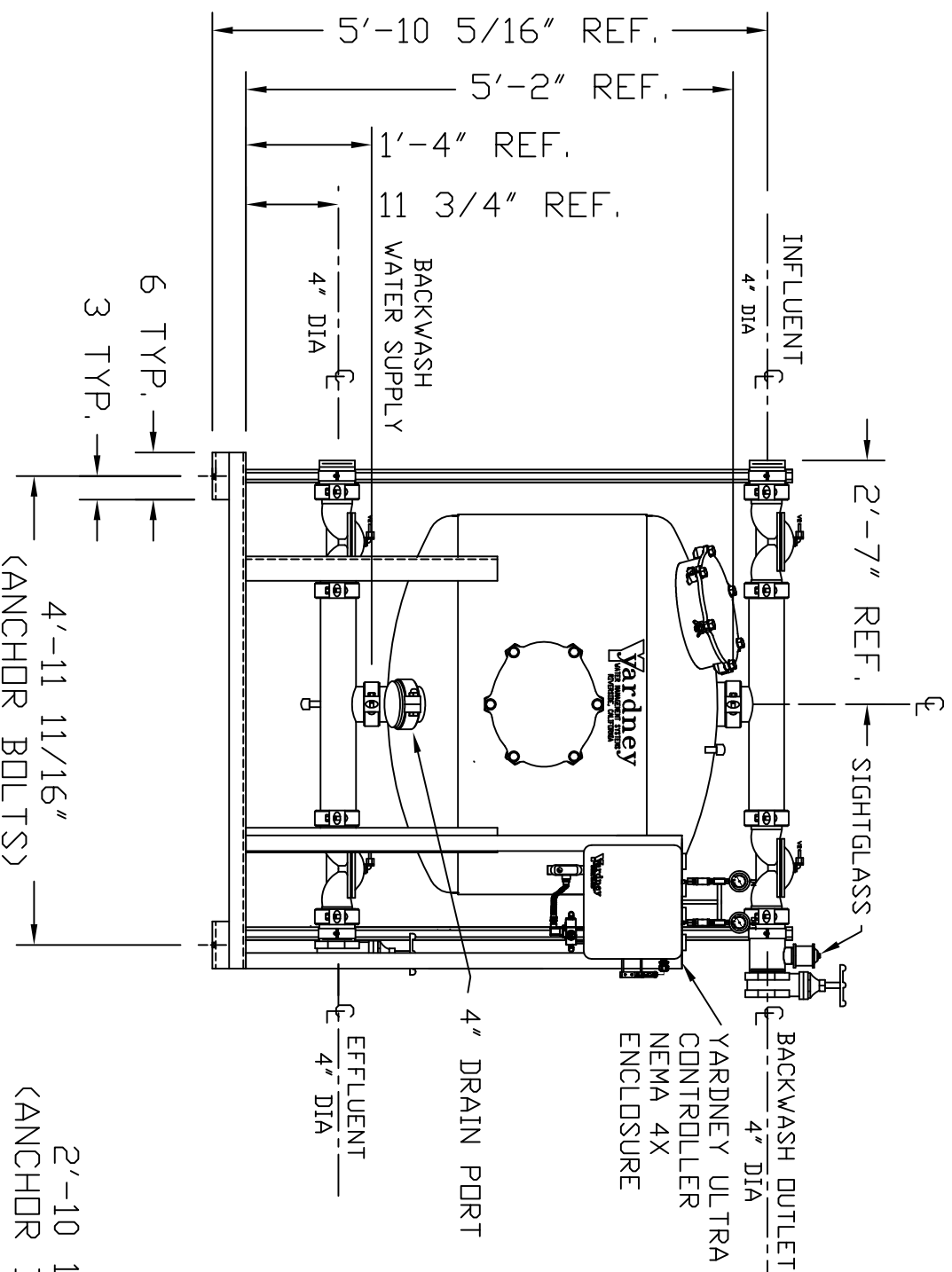
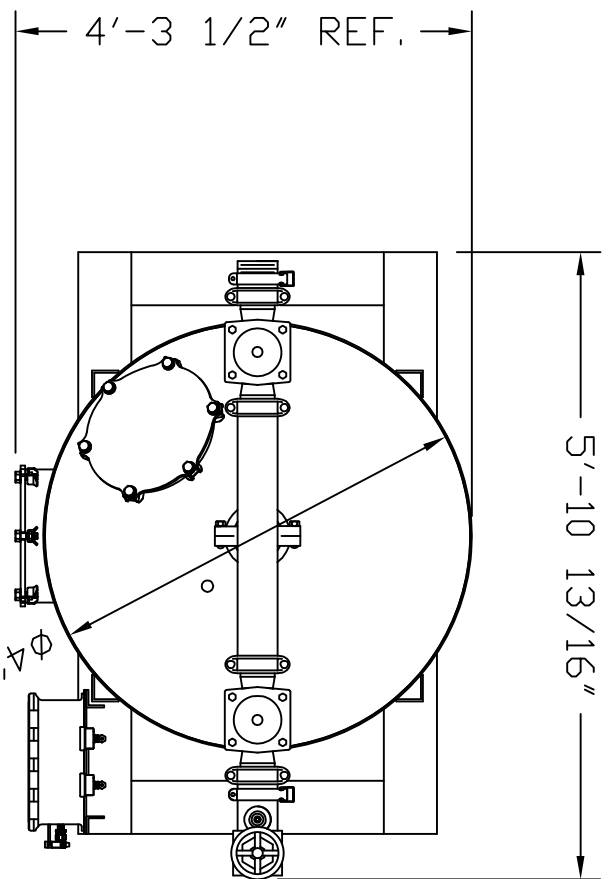


IL 4824-1A



- NOTES:
1. FLOW RATE DESIGN: 126-189 GPM, BACKWASH RATE: 15 GPM/FT².
 2. MAXIMUM WORKING PRESSURE: 80 PSI.
 3. ELECTRICAL REQUIREMENTS:
CONTROLLER 120V;
SOLENOIDS 24VAC; FACTORY WIRED
AIR SUPPLY REQUIRED: 2 CFM @ 70 PSIG (MIN.).
 4. MEDIA REQUIREMENT PER TANK:
A. 1/2"X3/4" CRUSHED ROCK: 7.0 CU. FT.
B. 0.47mm CRUSHED SILICA SAND: 21.0 CU. FT.
 5. WEIGHTS: (APPROX.)
EQUIPMENT: 880 LBS (LESS MEDIA)
MEDIA: 3,100 LBS
OPERATION: 4,400 LBS

THIS DRAWING, INCLUDING THE INFORMATION IT CONTAINS, IS CONFIDENTIAL, PROPRIETARY, AND IS THE PROPERTY OF YARDNEY WATER MANAGEMENT, INC. IT IS SUBMITTED ONLY IN CONNECTION WITH THE TRANSACTION TO WHICH IT PERTAINS AND MUST NOT BE USED IN ANY OTHER MANNER DETRIMENTAL TO THE INTERESTS OF YARDNEY WATER MANAGEMENT. THE DRAWING IS NOT TO BE COPIED, REPRODUCED, OR TRANSMITTED IN ANY FORM OR BY ANY MEANS, WITHOUT THE WRITTEN PERMISSION OF YARDNEY WATER MANAGEMENT.

| REV | DESCRIPTION | DATE | BY | APP | DATE | BY | APP |
|-----|---------------------------|----------|-----|-----|------|----|-----|
| E | WELD TABS ON MANWAY RINGS | 09-12-19 | APP | | | | |
| D | ADDED 4" DRAIN PORT | 11-09-19 | APP | | | | |
| C | ADDED SIGHTGLASS | 08-07-19 | APP | | | | |
| B | CORRECTED GPM FLOW RATES | 10-05-19 | APP | | | | |
| A | STANDARDIZED NOTES | 09-05-19 | APP | | | | |
| SYM | REVISIONS | | | | | | |

| | |
|----------------|----------|
| APPROVALS DATE | 11-29-19 |
| DESIGNED BY | |
| CHECKED BY | |
| APPROVED BY | |
| SCALE | NONE |
| SIZE | D |
| DRAWING NO. | 95004824 |
| SCALE NAME | SYSTEMIL |



IL 4824-1A
FILTER SYSTEM
95004824