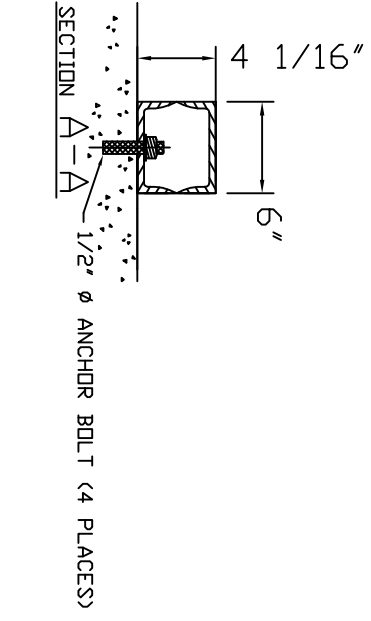
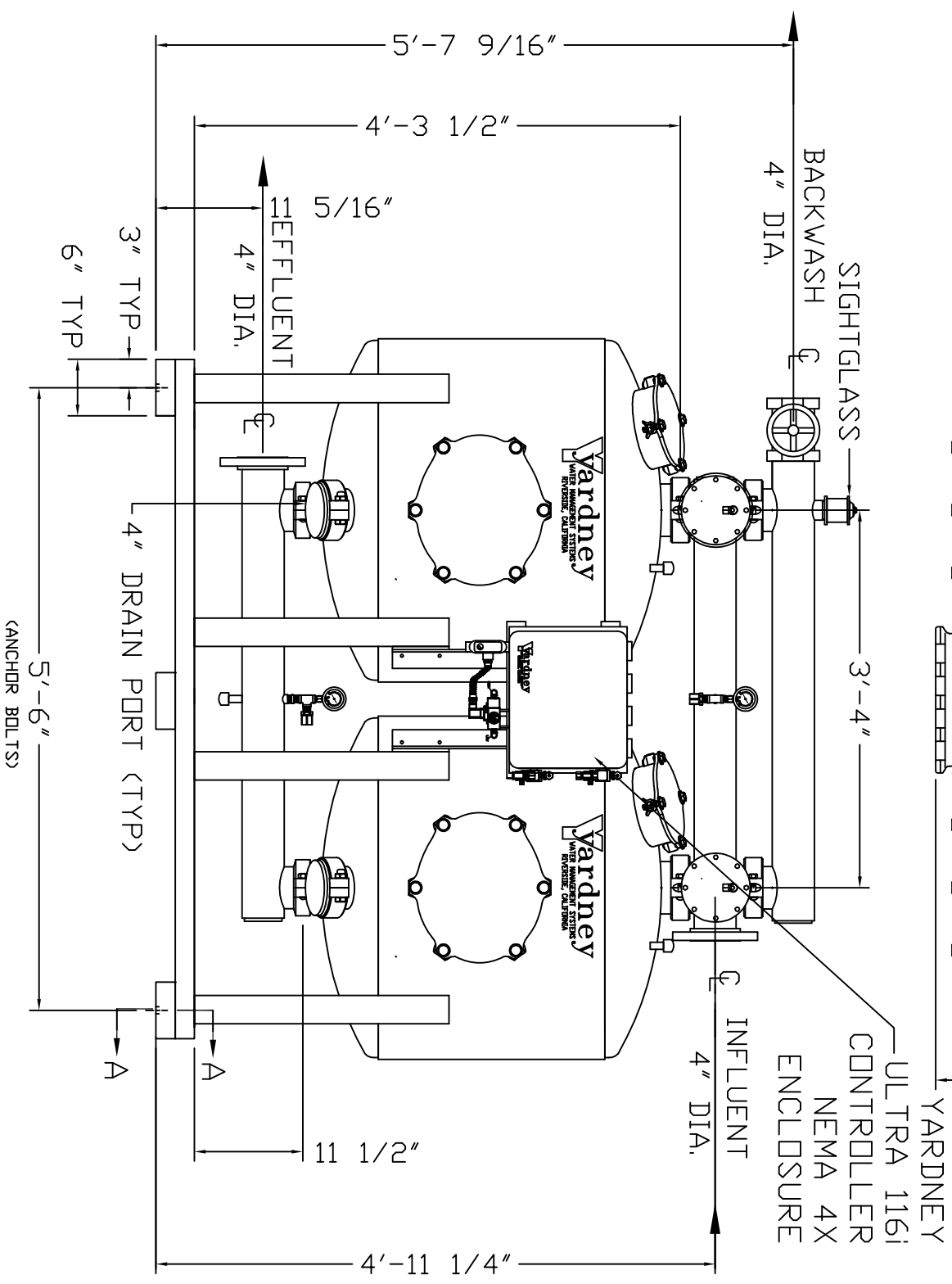
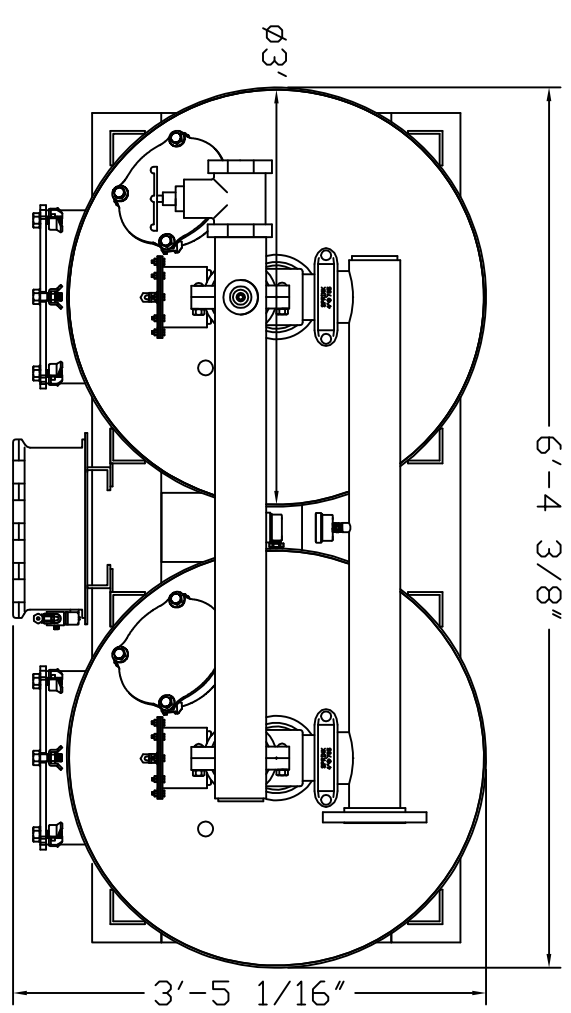
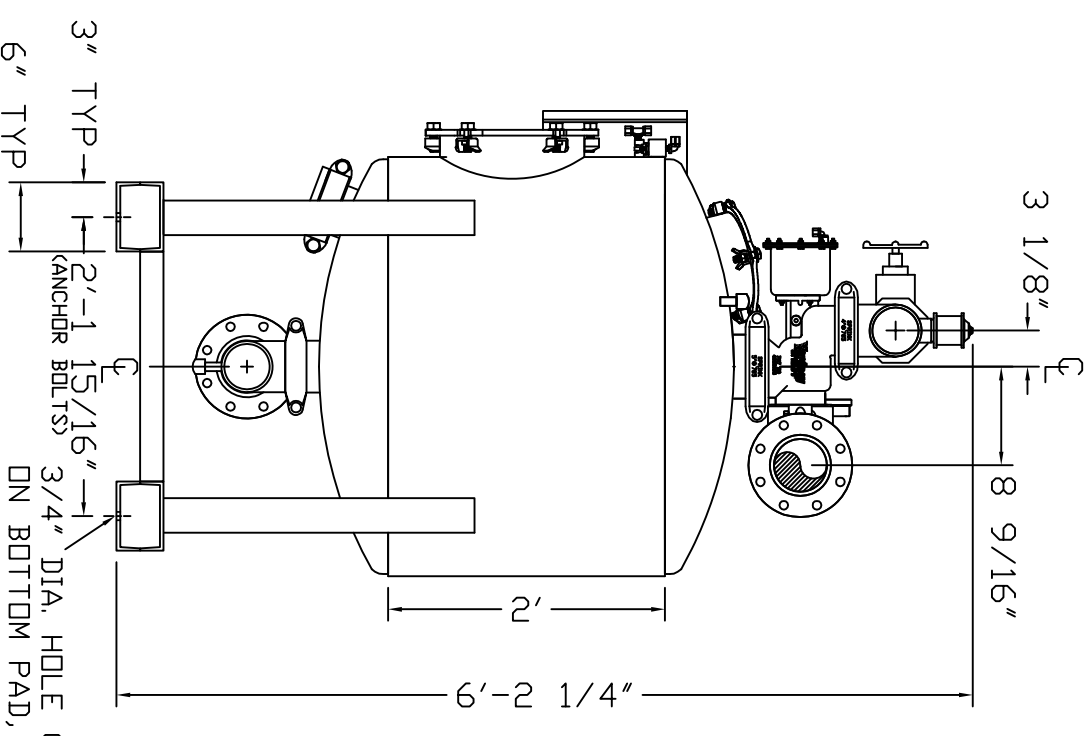


IL 3624-2A



NOTES:

1. FLOW RATE DESIGN: 142-213 GPM.
BACKWASH RATE: 15 GPM/FT².
2. MAXIMUM WORKING PRESSURE: 100 PSI.
3. ELECTRICAL REQUIREMENTS:
CONTROLLER 120V;
SOLENOIDS 24VAC; FACTORY WIRED
4. AIR SUPPLY REQUIRED: 2 CFM @ 70 PSIG (MIN.).
5. MEDIA REQUIREMENT PER TANK:
A. 1/2"x3/4" CRUSHED ROCK: 4.0 CU. FT. .
B. 0.47mm CRUSHED SILICA SAND: 10.0 CU. FT. .
6. WEIGHTS: (APPROX.)
EQUIPMENT: 1,060 LBS (LESS MEDIA)
MEDIA: 2,825 LBS
OPERATION: 5,050 LBS



3" TYP →
6" TYP →
3/4" DIA. HOLE CENTERED
ON BOTTOM PAD, 4 PLCS.
(FOR 1/2" ANCHOR BOLTS)

THIS DRAWING, INCLUDING THE INFORMATION IT CONTAINS, IS CONFIDENTIAL, PROPRIETARY, AND IS THE PROPERTY OF YARDNEY WATER MANAGEMENT SYSTEMS, INC. IT IS SUBMITTED ONLY IN CONNECTION WITH THE TRANSACTION TO WHICH IT PERTAINS AND MUST NOT BE USED IN ANY OTHER MANNER DETRIMENTAL TO THE INTERESTS OF YARDNEY WATER MANAGEMENT SYSTEMS, INC. THE DRAWING IS NOT TO BE COPIED AND MUST BE RETURNED UPON REQUEST TO YARDNEY WATER MANAGEMENT SYSTEMS, INC.

Yardney
WATER MANAGEMENT SYSTEMS
RIVERSIDE, CALIFORNIA

IL 3624-2A
FILTER SYSTEM

SIZE: DRAWING NO. 9500362402
SCALE: NONE

DATE: 9-05
BY: APP

NO.	DESCRIPTION	DATE	BY	APP
D	WELD TABS ON MANWAY RINGS	9-12	DTG	APP
C	ADDED 4" DRAIN PORT	11-09	DTG	APP
B	CORRECTED GPM FLOW RATES	10-05	DTG	APP
A	STANDARDIZED NOTES	9-05	DTG	APP
SYM	REVISIONS			