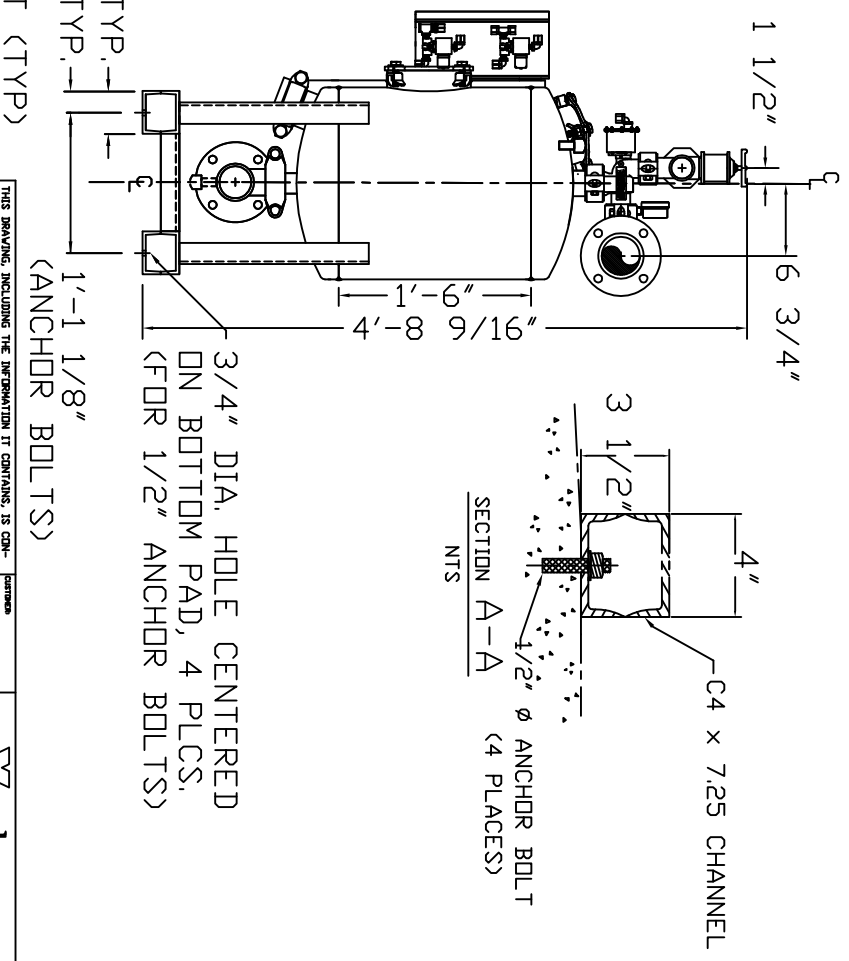
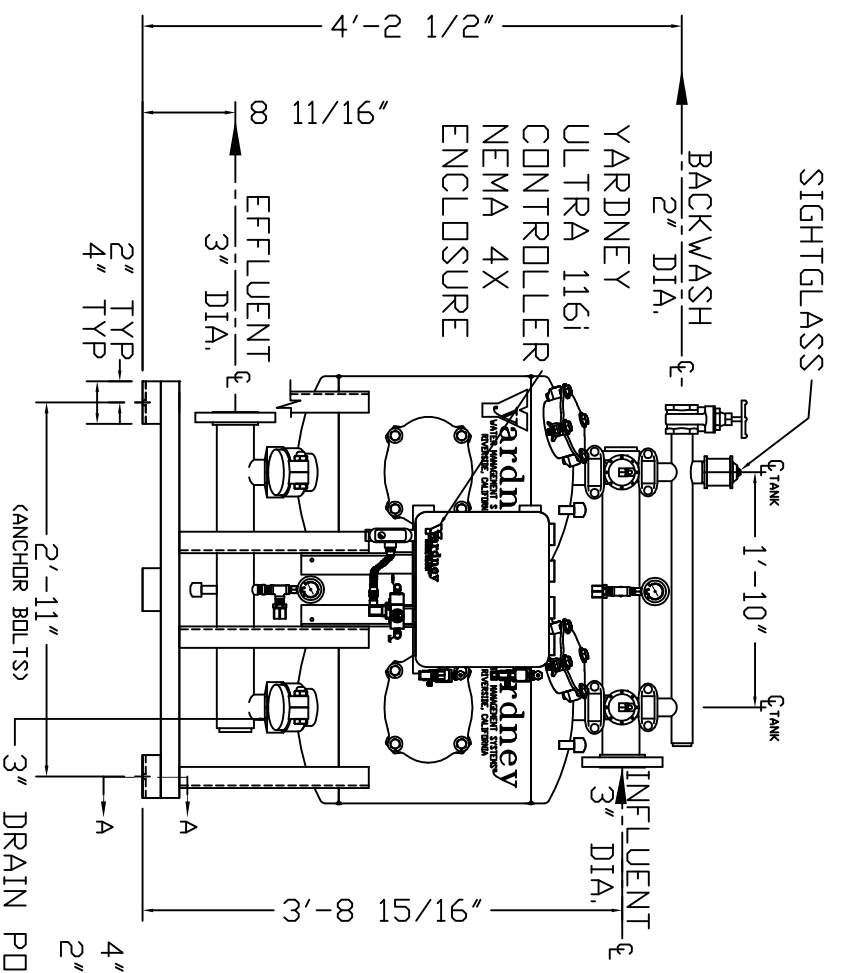
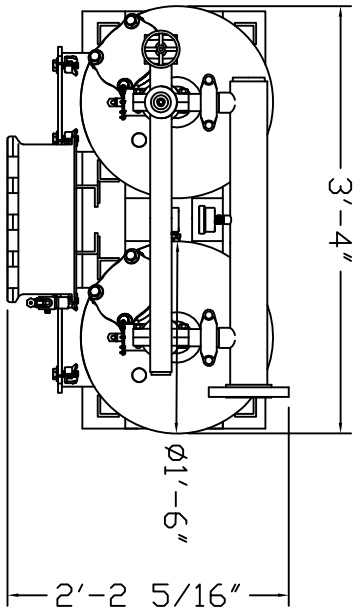


# IL 1824-2A

**NOTES:**

1. FLOW RATE DESIGN: 35-53 GPM.  
BACKWASH RATE: 15 GPM/FT<sup>2</sup>.
2. MAXIMUM WORKING PRESSURE: 100 PSI.
3. ELECTRICAL REQUIREMENTS:  
CONTROLLER 120V,  
SOLENOIDS 24VAC; FACTORY WIRE  
4. AIR SUPPLY REQUIRED: 2 CFM @ 70 PSIG (MIN.).
5. MEDIA REQUIREMENT PER TANK:  
A. 1/2"x3/4" CRUSHED ROCK: 10 CU. FT.  
B. 0.47mm CRUSHED SILICA SAND: 2.5 CU. FT.
6. WEIGHTS: (APPROX.)  
EQUIPMENT: 460 LBS (LESS MEDIA)  
MEDIA: 725 LBS  
OPERATION: 1,450 LBS



THIS DRAWING, INCLUDING THE INFORMATION IT CONTAINS, IS CONFIDENTIAL, PROPRIETARY, AND IS THE PROPERTY OF YARDNEY WATER MANAGEMENT, INC. IT IS SUBMITTED ONLY IN CONNECTION WITH THE PROJECT AND IS NOT TO BE REPRODUCED, COPIED, USED IN ANY OTHER MANNER, OR DISCLOSED TO THE INTERESTS OF YARDNEY WATER MANAGEMENT. THE DRAWING IS NOT TO BE CAPTED AND MUST BE RETURNED UPON REQUEST. COPYRIGHT YARDNEY WATER MANAGEMENT SYSTEMS, 1976.

DATE	DESCRIPTION	BY	DATE	LOCATION	SYSTEMS
7-12	DTD	7-12	DTD	4-12-07	IL 1824-2A
11-09	DTD	11-09	DTD	9500182402	IL 1824-2A
REVISION	BY	DATE	LOCATION	SYSTEMS	REV. B
A	WELD TABS ON MANWAY RINGS				
B	ADDED 3" DRAIN PORT				
ND.					



IL 1824-2A  
FILTER SYSTEM