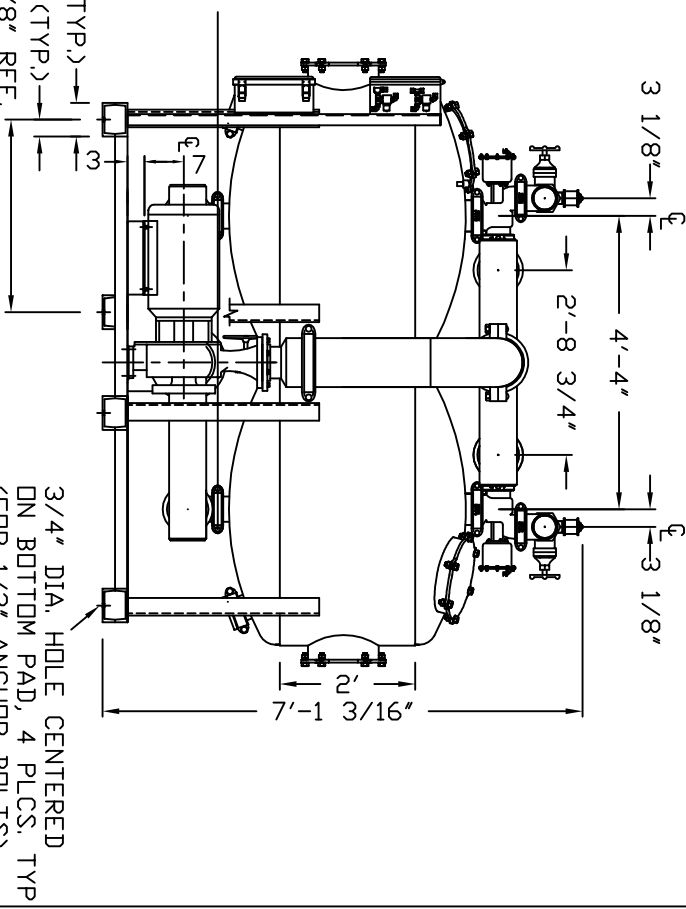
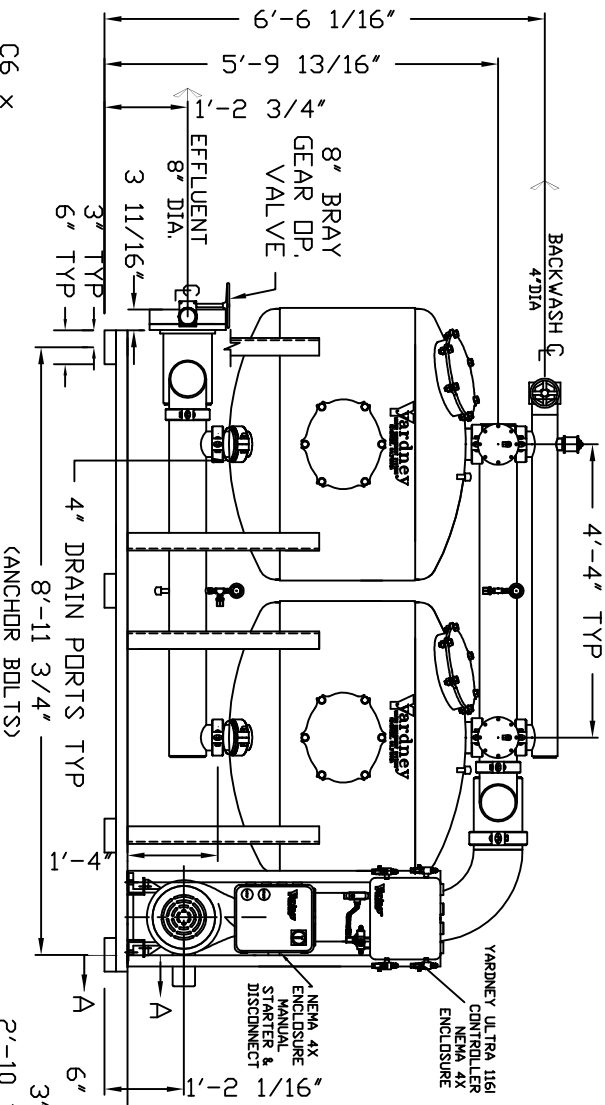
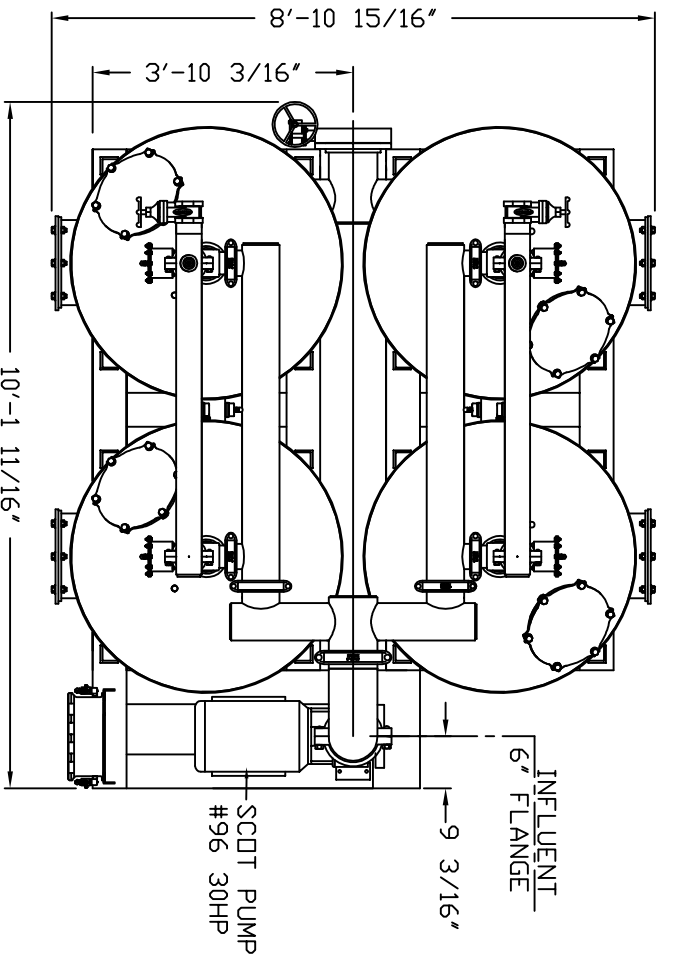


# RCW 4824-4A

## BLOCK PATTERN

### NOTES:

1. FLOW RATE DESIGN: 1,008 GPM @ 40 PSI
2. MAXIMUM WORKING PRESSURE: 80 PSI.
3. ELECTRICAL REQUIREMENTS:
  - 30 HP TEFC MOTOR 460V, 3 PHASE, 60 HZ
  - CONTROLLER 120V, FACTORY WIRE TO CPT.
  - SOLENOIDS 24VAC, FACTORY WIRE
4. AIR SUPPLY REQUIRED: 2 CFM @ 70 PSIG (MIN.).
5. MEDIA REQUIREMENT PER TANK:
  - A. 1/2"x3/4" CRUSHED ROCK: 7.0 CU. FT.
  - B. 0.47mm CRUSHED SILICA SAND: 21.0 CU. FT.
6. WEIGHTS: (APPRDX.)
  - A. EQUIPMENT: 16,500 LBS (WITH MEDIA)
  - B. OPERATION: 19,450 LBS



THIS DRAWING, INCLUDING THE INFORMATION IT CONTAINS, IS CONFIDENTIAL, PROPRIETARY AND IS THE PROPERTY OF YARDNEY WATER MANAGEMENT, INC. WHICH IS HEREBY GRANTED LIMITED PERMISSION TO BE USED IN ANY OTHER MANNER DETRIMENTAL TO THE INTERESTS OF YARDNEY WATER MANAGEMENT. THE DRAWING IS NOT TO BE COPIED OR REPRODUCED IN ANY MANNER WITHOUT THE WRITTEN PERMISSION OF YARDNEY WATER MANAGEMENT SYSTEMS, 1993.

REV	DATE	BY	APP. DATE	DESCRIPTION
A				ADDED 4" DRAIN PORTS
SWH				REVISIONS

APPROVAL DATE	DATE
DESIGNED BY	DTD 10-10-10
CHECKED BY	DTD 10-10-10
APPROVED BY	DTD 10-10-10
SCALE	D
SIZE	BRAVING ND
PROJECT	RCW 4824-4A
DESCRIPTION	BLOCK PATTERN
PROJECT NO.	9750000005
SHEET	1 OF 1



RCW 4824-4A  
BLOCK PATTERN