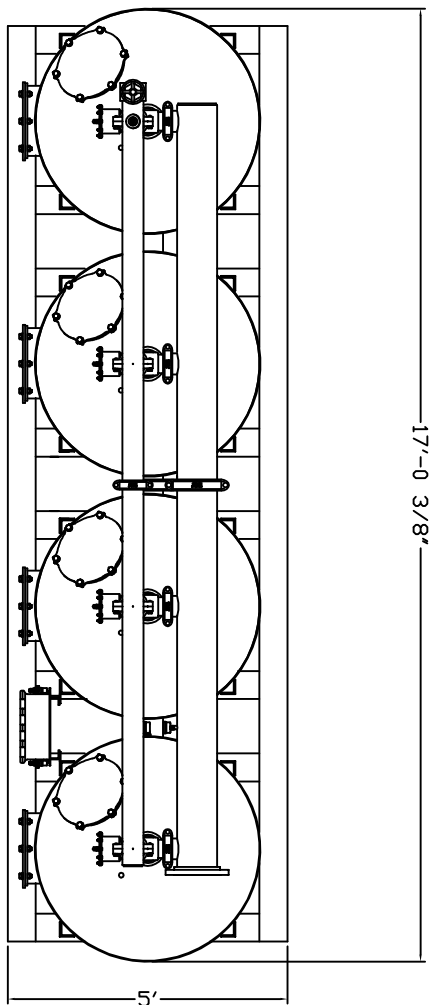
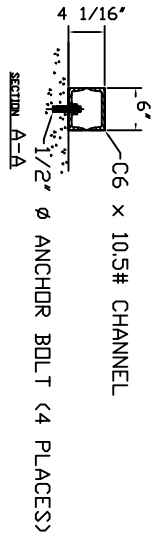
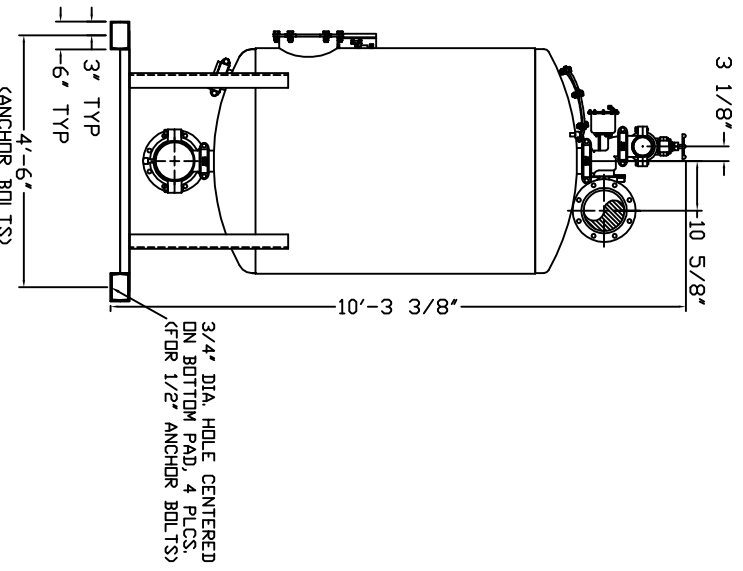
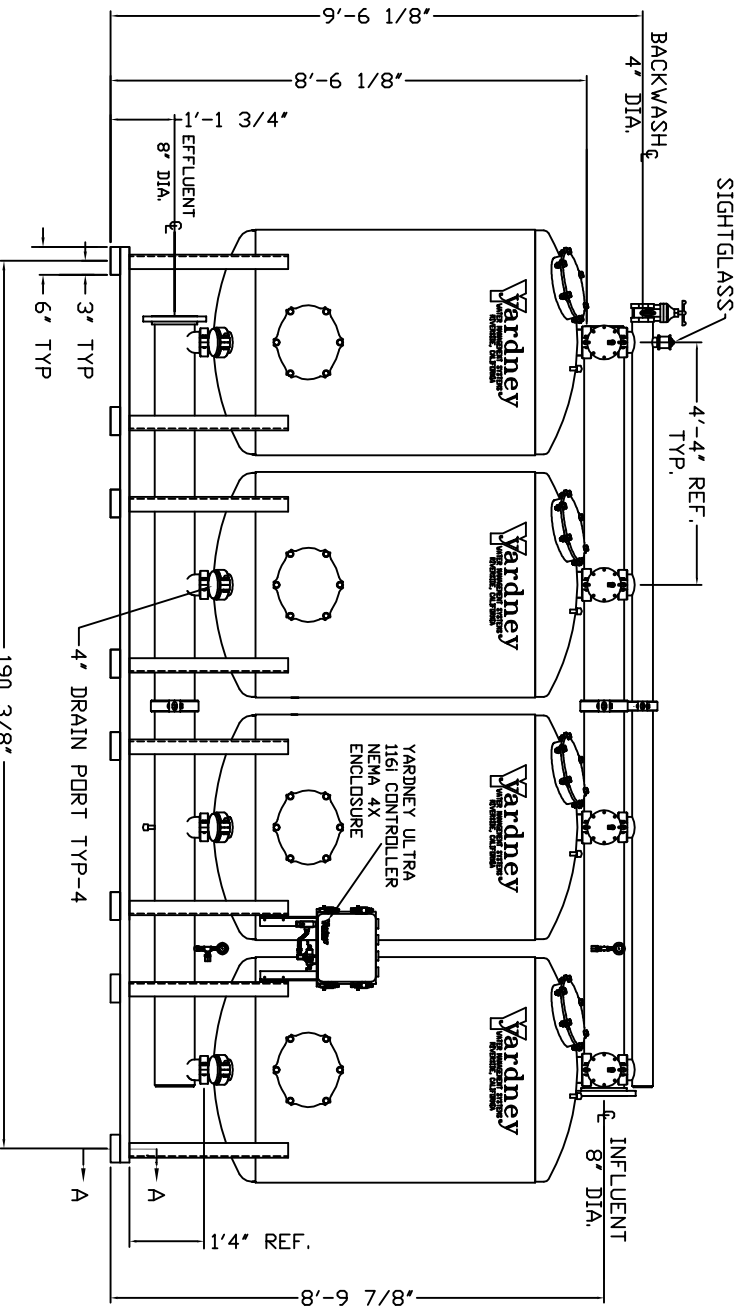


# MM 4860-4A



- NOTES:
1. FLOW RATE DESIGN: 252-756 GPM, MAX TD 1008 GPM
  2. MAXIMUM WORKING PRESSURE: 80 PSI.
  3. ELECTRICAL REQUIREMENTS:  
CONTROLLER 120V,  
SOLENOIDS 24VAC, FACTORY WIRE
  4. AIR SUPPLY REQUIRED: 2 CFM @ 70 PSIG (MIN.).
  5. MEDIA REQUIREMENT PER TANK:  
A) 1/2" x 3/4" CRUSHED ROCK: 7.0 CU. FT.  
B) COARSE GARNET: 6.5 CU. FT.  
C) FINEGARNET: 19.0 CU. FT.  
D) ANTHRACITE: 19.0 CU. FT.
  6. WEIGHTS: (APPROX)  
EQUIPMENT: 5,070 LBS (LESS MEDIA)  
MEDIA: 20,002 LBS  
OPERATION: 36,850 LBS



THIS DRAWING, INCLUDING THE INFORMATION IT CONTAINS, IS CONFIDENTIAL, PROPRIETARY, AND IS THE PROPERTY OF YARDNEY WATER MANAGEMENT SYSTEMS. IT IS TO BE USED ONLY IN CONNECTION WITH THE TRANSACTION TO WHICH IT PERTAINS AND MUST NOT BE USED IN ANY OTHER MANNER DEETRIMENTAL TO THE INTERESTS OF YARDNEY WATER MANAGEMENT SYSTEMS. THE DRAWING IS NOT TO BE COPIED, REPRODUCED, OR TRANSMITTED IN ANY MANNER WITHOUT THE WRITTEN PERMISSION OF YARDNEY WATER MANAGEMENT SYSTEMS.

NO.	REVISION	BY	DATE	LOCATION	SYSTEM
D	ADDED 4\"/>				
C	STAND SCD DRAWN FROM 4X CONTROLLER	JTC	12-06		
B	CORRECTED GPM FLOW RATES	JTC	08-05		
A	STANDARDIZED NOTES	JTC	9-05		
ND					

DESIGNED BY	DATE	PROJECT NO.	SCALE
DRAWING NO.	2-12-93	MM 4860-4A	1\"/>
LOCATION	SYSTEM	MM 4860-4A	REV. D
		FILTER SYSTEM	sheet 1 of 1