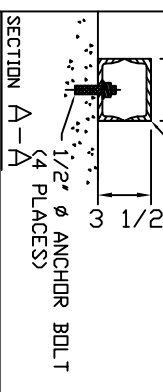
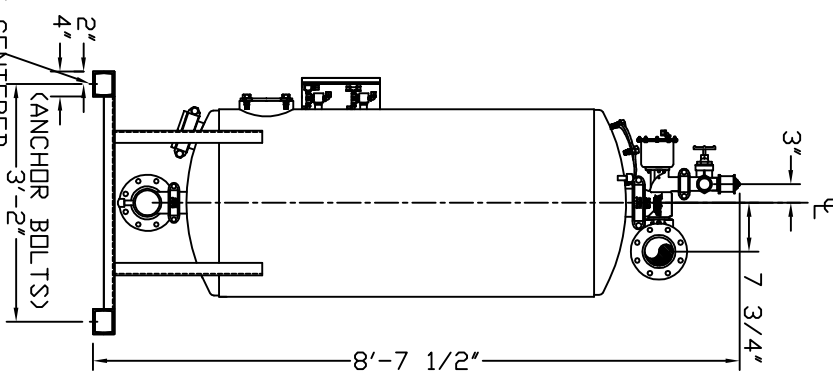
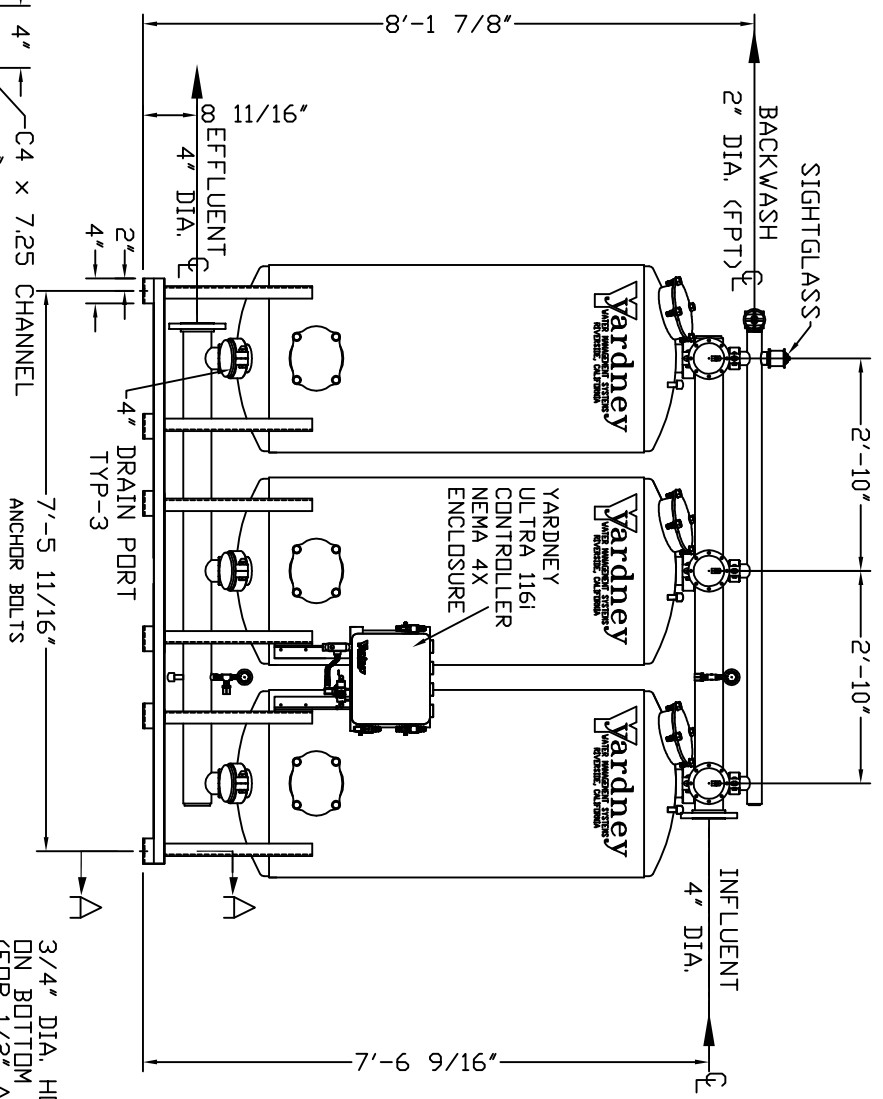
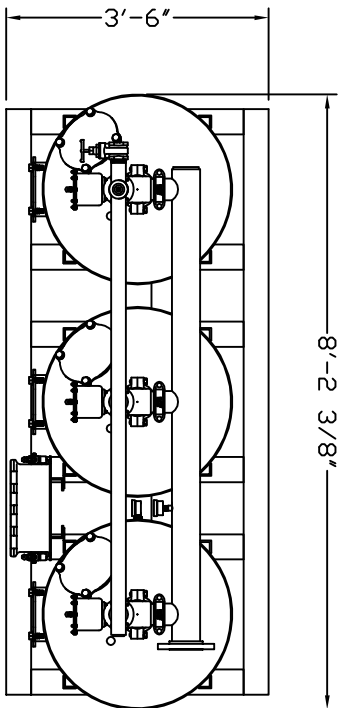


MM 3060-3A

NOTES:

1. FLOW RATE DESIGN: 75-221 GPM; MAX TD 294 GPM
2. MAXIMUM WORKING PRESSURE: 100 PSI.
3. ELECTRICAL REQUIREMENTS:
CONTROLLER 120V;
SOLENOIDS 24VAC; FACTORY WIRED
4. AIR SUPPLY REQUIRED: 2 CFM @ 70 PSIG (MIN).
5. MEDIA REQUIREMENT PER TANK:
A. 1/2"x3/4" CRUSHED ROCK: 25 CU. FT.
B. 1.45mm GARNET: 25 CU. FT.
C. 0.35mm GARNET: 7.5 CU. FT.
D. 0.75 ANTHRACITE: 7.5 CU. FT.
6. WEIGHTS: (APPROX.)
EQUIPMENT: 1,740 LBS (LESS MEDIA)
MEDIA: 5,846 LBS
OPERATION: 10,600 LBS



3/4" DIA. HOLE CENTERED
ON BOTTOM PAD, 4 PLCS.
(FOR 1/2" ANCHOR BOLTS)

<p>THIS DRAWING IS THE PROPERTY OF YARDNEY WATER MANAGEMENT SYSTEMS, INC. IT IS SUBMITTED IN CONNECTION WITH A CONTRACT AND IS NOT TO BE REPRODUCED OR TRANSMITTED IN ANY FORM OR BY ANY MEANS, ELECTRONIC OR MECHANICAL, INCLUDING PHOTOCOPYING, RECORDING, OR BY ANY INFORMATION STORAGE AND RETRIEVAL SYSTEM, WITHOUT THE WRITTEN PERMISSION OF YARDNEY WATER MANAGEMENT SYSTEMS, INC.</p>			
1	REVISIONS	BY DATE	APPROVALS DATE
2	DESIGNED	DATE	BY
3	CHECKED	DATE	BY
4	APPROVED	DATE	BY
5	STANDARDIZED	DATE	BY
6	REVISED	DATE	BY
7	REVISED	DATE	BY
8	REVISED	DATE	BY
9	REVISED	DATE	BY
10	REVISED	DATE	BY
11	REVISED	DATE	BY
12	REVISED	DATE	BY
13	REVISED	DATE	BY
14	REVISED	DATE	BY
15	REVISED	DATE	BY
16	REVISED	DATE	BY
17	REVISED	DATE	BY
18	REVISED	DATE	BY
19	REVISED	DATE	BY
20	REVISED	DATE	BY
21	REVISED	DATE	BY
22	REVISED	DATE	BY
23	REVISED	DATE	BY
24	REVISED	DATE	BY
25	REVISED	DATE	BY
26	REVISED	DATE	BY
27	REVISED	DATE	BY
28	REVISED	DATE	BY
29	REVISED	DATE	BY
30	REVISED	DATE	BY
31	REVISED	DATE	BY
32	REVISED	DATE	BY
33	REVISED	DATE	BY
34	REVISED	DATE	BY
35	REVISED	DATE	BY
36	REVISED	DATE	BY
37	REVISED	DATE	BY
38	REVISED	DATE	BY
39	REVISED	DATE	BY
40	REVISED	DATE	BY
41	REVISED	DATE	BY
42	REVISED	DATE	BY
43	REVISED	DATE	BY
44	REVISED	DATE	BY
45	REVISED	DATE	BY
46	REVISED	DATE	BY
47	REVISED	DATE	BY
48	REVISED	DATE	BY
49	REVISED	DATE	BY
50	REVISED	DATE	BY
51	REVISED	DATE	BY
52	REVISED	DATE	BY
53	REVISED	DATE	BY
54	REVISED	DATE	BY
55	REVISED	DATE	BY
56	REVISED	DATE	BY
57	REVISED	DATE	BY
58	REVISED	DATE	BY
59	REVISED	DATE	BY
60	REVISED	DATE	BY
61	REVISED	DATE	BY
62	REVISED	DATE	BY
63	REVISED	DATE	BY
64	REVISED	DATE	BY
65	REVISED	DATE	BY
66	REVISED	DATE	BY
67	REVISED	DATE	BY
68	REVISED	DATE	BY
69	REVISED	DATE	BY
70	REVISED	DATE	BY
71	REVISED	DATE	BY
72	REVISED	DATE	BY
73	REVISED	DATE	BY
74	REVISED	DATE	BY
75	REVISED	DATE	BY
76	REVISED	DATE	BY
77	REVISED	DATE	BY
78	REVISED	DATE	BY
79	REVISED	DATE	BY
80	REVISED	DATE	BY
81	REVISED	DATE	BY
82	REVISED	DATE	BY
83	REVISED	DATE	BY
84	REVISED	DATE	BY
85	REVISED	DATE	BY
86	REVISED	DATE	BY
87	REVISED	DATE	BY
88	REVISED	DATE	BY
89	REVISED	DATE	BY
90	REVISED	DATE	BY
91	REVISED	DATE	BY
92	REVISED	DATE	BY
93	REVISED	DATE	BY
94	REVISED	DATE	BY
95	REVISED	DATE	BY
96	REVISED	DATE	BY
97	REVISED	DATE	BY
98	REVISED	DATE	BY
99	REVISED	DATE	BY
100	REVISED	DATE	BY



MM 3060-3A
FILTER SYSTEM
9500306003