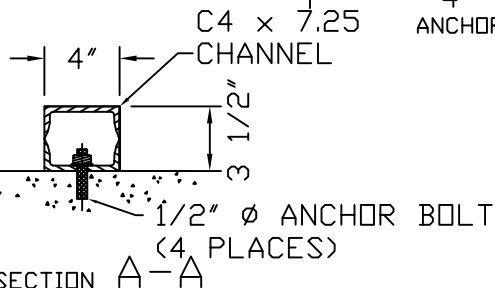
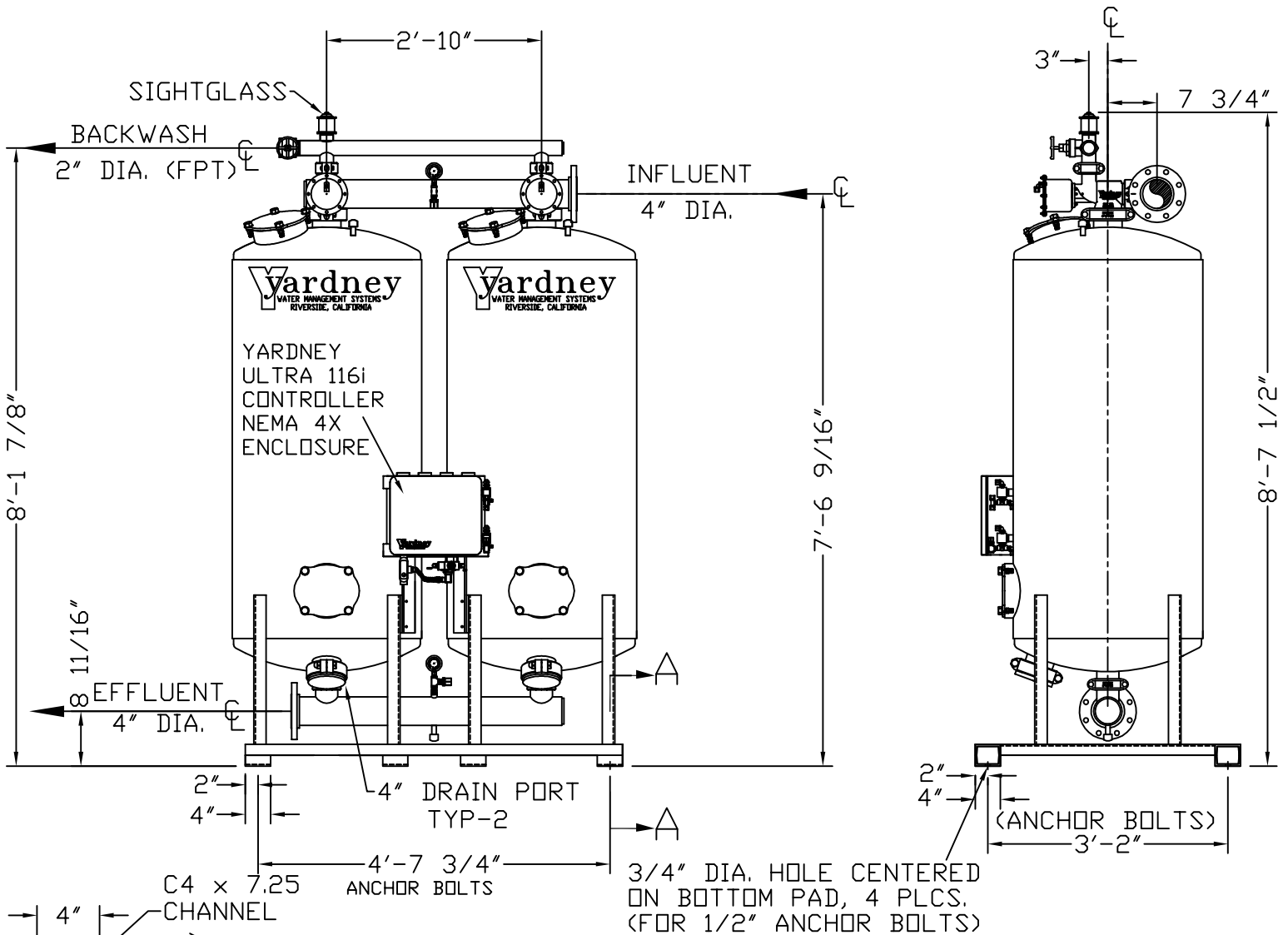
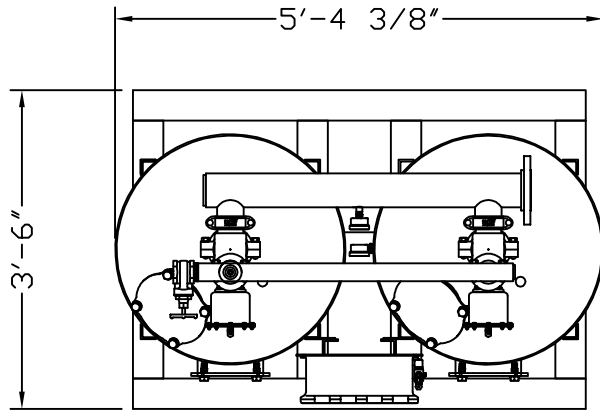


MM 3060-2A

NOTES:

1. FLOW RATE DESIGN: 50-147 GPM; MAX TO 196
2. MAXIMUM WORKING PRESSURE: 100 PSI.
3. ELECTRICAL REQUIREMENTS:
CONTROLLER 120V;
SOLENOIDS 24VAC; FACTORY WIRED
4. AIR SUPPLY REQUIRED: 2 CFM @ 70 PSIG (MIN.).
5. MEDIA REQUIREMENT PER TANK:
A. 1/2"x3/4" CRUSHED ROCK: 2.5 CU. FT. .
B. 1.45mm GARNET: 2.5 CU. FT. .
C. 0.35mm GARNET: 7.5 CU. FT. .
D. 0.75mm ANTHRACITE: 7.5 CU. FT. .
6. WEIGHTS: (APPROX.)
EQUIPMENT: 1,200 LBS (LESS MEDIA)
MEDIA: 4,205 LBS
OPERATION: 7,300 LBS



THIS DRAWING, INCLUDING THE INFORMATION IT CONTAINS, IS CONFIDENTIAL, PROPRIETARY AND IS THE PROPERTY OF YARDNEY WATER MANAGEMENT, INC. IT IS SUBMITTED ONLY IN CONNECTION WITH THE TRANSACTION TO WHICH IT PERTAINS AND MUST NOT BE USED IN ANY OTHER MANNER DETRIMENTAL TO THE INTERESTS OF YARDNEY WATER MANAGEMENT. THE DRAWING IS NOT TO BE COPIED AND MUST BE RETURNED UPON REQUEST. COPYRIGHT YARDNEY WATER MANAGEMENT SYSTEMS, 1993

SYMBOL	REVISIONS	BY	DATE	APP
E	ADDED 4\"/>			

		MM 3060-2A FILTER SYSTEM	
		SIZE: D DRAWING NO: 9500306002 SCALE: NONE PWS BPP SYSTEM\MM	REV: E SHEET 1 OF 1