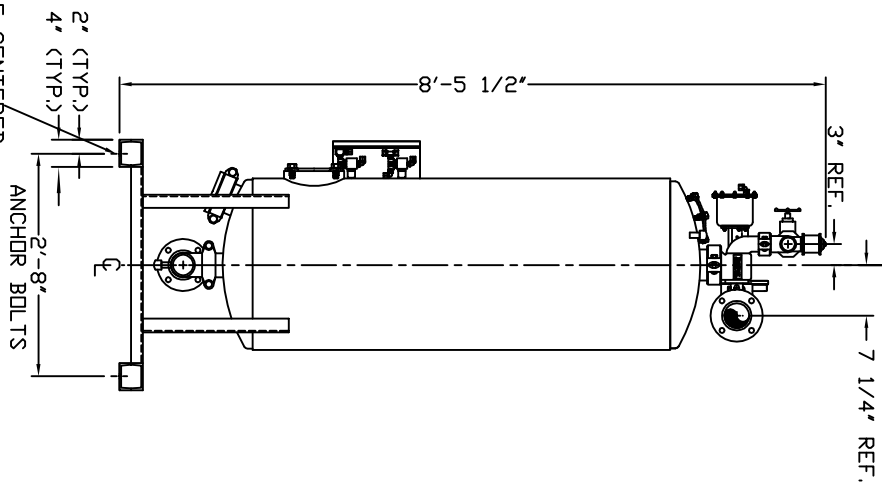
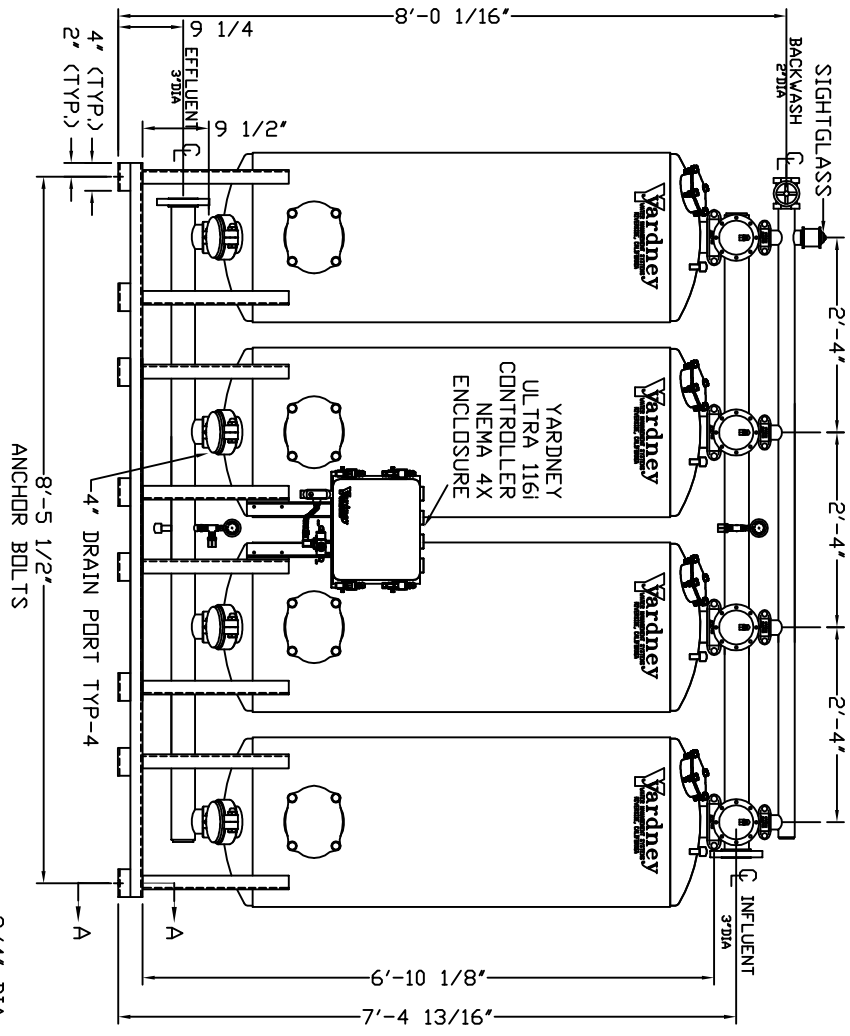
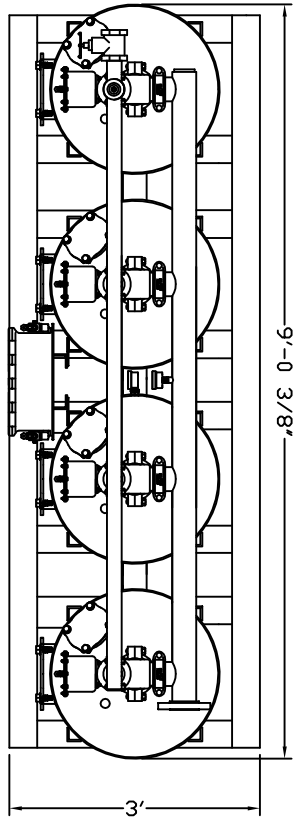


MM 2460-4A



- NOTES:**
1. FLOW RATE DESIGN: 63-189 GPM, MAX TO 252 GPM
BACKWASH RATE: 15 GPM/FT².
 2. MAXIMUM WORKING PRESSURE: 100 PSI.
 3. ELECTRICAL REQUIREMENTS:
CONTROLLER 120V/
SOLENOIDS 24VAC, FACTORY WIRED.
 4. AIR SUPPLY REQUIRED: 2 CFM @ 70 PSIG (MIN.).
 5. MEDIA REQUIREMENT PER TANK:
A. 1/2"x3/4" CRUSHED ROCK: 15 CU. FT.
B. 1.45mm GARNET: 15 CU. FT.
C. 0.35mm GARNET: 4.5 CU. FT.
D. 0.75 ANTHRACITE: 4.5 CU. FT.
 6. WEIGHTS: (APPROX.)
EQUIPMENT: 1,775 LBS (LESS MEDIA)
MEDIA: 4,770 LBS
OPERATION: 9,000 LBS

3/4" DIA. HOLE CENTERED ON BOTTOM PAD, 4 PLCS. (FOR 1/2" ANCHOR BOLTS)

SECTION A-A
4" C4 x 7.25 CHANNEL
1/2" Ø ANCHOR BOLT (4 PLACES)

Yardney
WATER MANAGEMENT SYSTEMS
RIVERSIDE, CALIFORNIA

MM 2460-4A
FILTER SYSTEM

REV	DATE	DESCRIPTION
D	11-07	REVISED WATER MANAGEMENT SYSTEMS, 1994.
C	11-07	ADDED MEDIA AIR ENCLOSURE.
B	11-07	UPDATED WEIGHTS & SIGNATURES.
A	11-07	AIR SUPPLY LINE CHANGE.
STM		REVISIONS