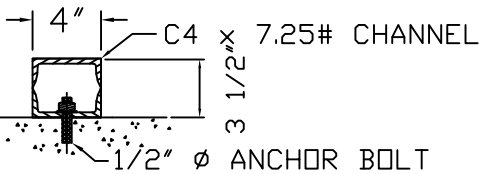
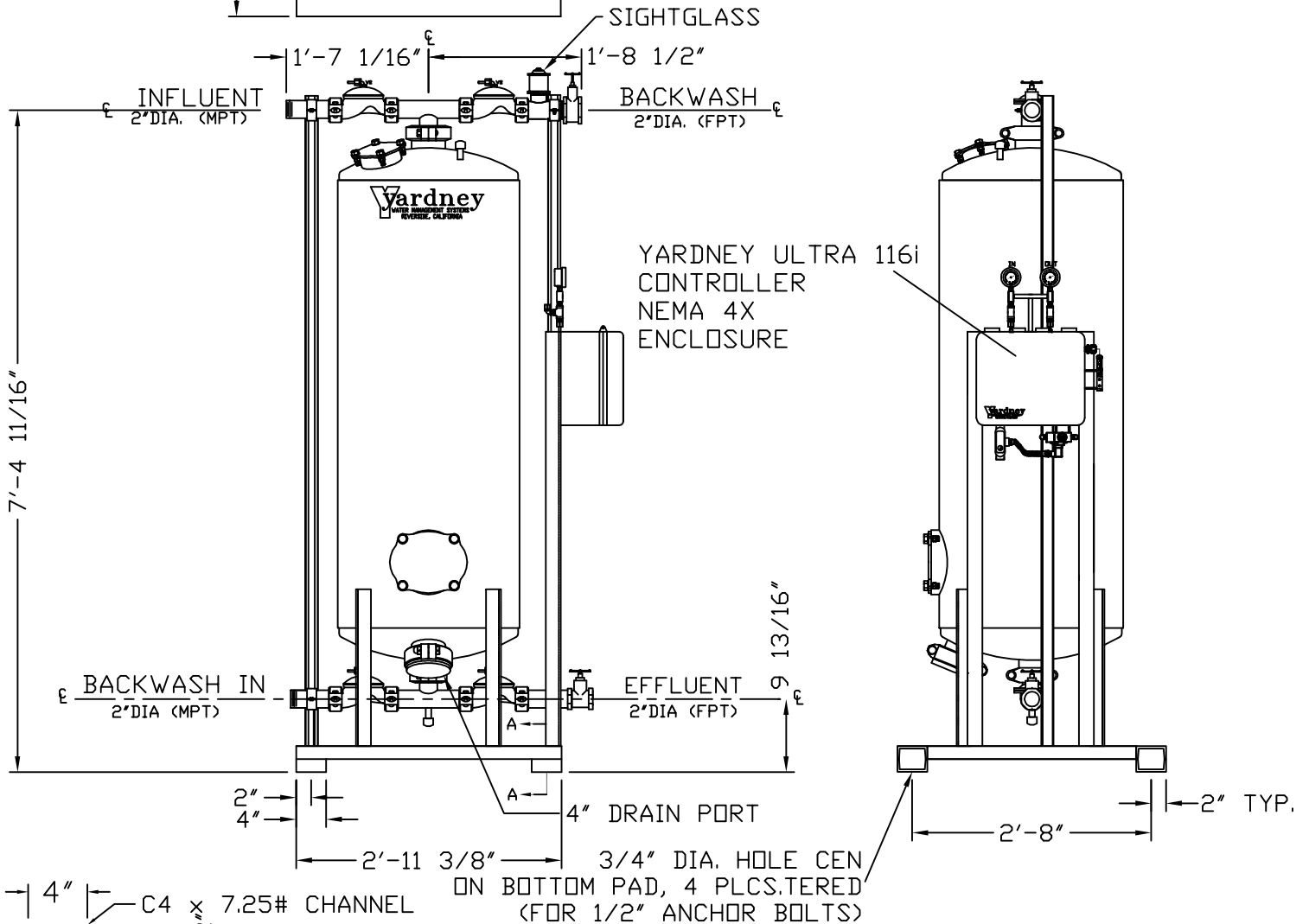
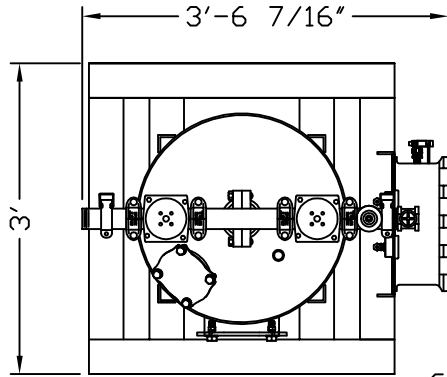


MM 2460-1A

NOTES:

1. FLOW RATE DESIGN: 16-47 GPM; MAX TO 63 GPM.
2. MAXIMUM WORKING PRESSURE: 100 PSI.
3. ELECTRICAL REQUIREMENTS:
CONTROLLER 120V;
SOLENOIDS 24VAC; FACTORY WIRED
4. AIR SUPPLY REQUIRED: 2 CFM @ 70 PSIG (MIN.).
5. MEDIA REQUIREMENT PER TANK:
A. 1/2"x3/4" CRUSHED ROCK: 1.5 CU. FT. .
B. 1.45mm GARNET: 1.5 CU. FT. .
C. 0.35mm GARNET: 4.5 CU. FT. .
D. 0.75mm ANTHRACITE: 4.5 CU. FT. .
6. WEIGHTS: (APPROX.)
EQUIPMENT: 465 LBS (LESS MEDIA)
MEDIA: 1,210 LBS
OPERATION: 2,200 LBS



THIS DRAWING, INCLUDING THE INFORMATION IT CONTAINS, IS CONFIDENTIAL, PROPRIETARY, AND IS THE PROPERTY OF YARDNEY WATER MANAGEMENT, INC. IT IS SUBMITTED ONLY IN CONNECTION WITH THE TRANSACTION TO WHICH IT PERTAINS AND MUST NOT BE USED IN ANY OTHER MANNER DETRIMENTAL TO THE INTERESTS OF YARDNEY WATER MANAGEMENT. THE DRAWING IS NOT TO BE COPIED AND MUST BE RETURNED UPON REQUEST. COPYRIGHT YARDNEY WATER MANAGEMENT SYSTEMS, 1994.		DATE: 6/26/02	 MM2460-1A FILTER SYSTEM
D	MADE WITH NEMA 4X CONTROLLER	DTC 6-06	
C	CORRECTED GPM FLOW RATES	DTC 10-05	DRAWING NO. 9500246001
B	STANDARDIZED NOTES	DTC 9-05	LOCATION: \SYSTEM\MM\
NO.	REVISION	BY DATE	REV: D

SECTION A-A