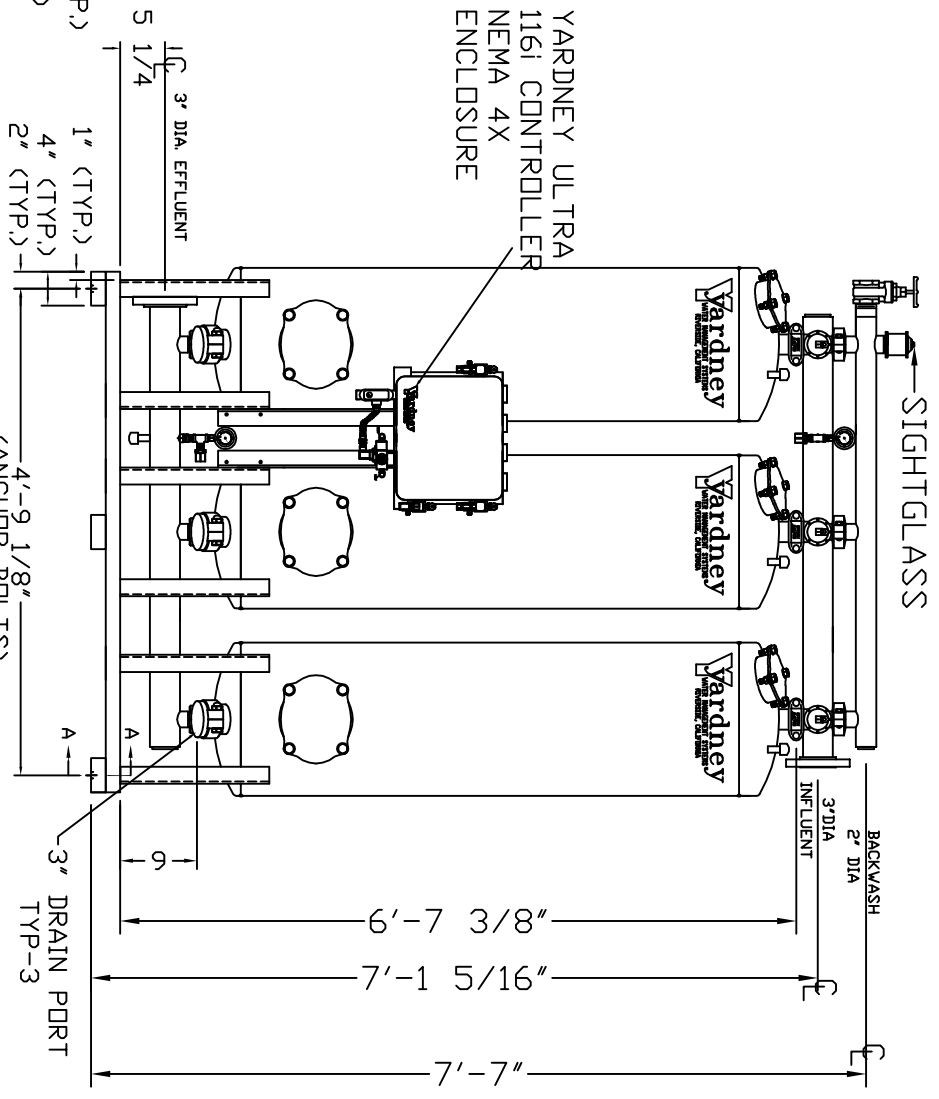
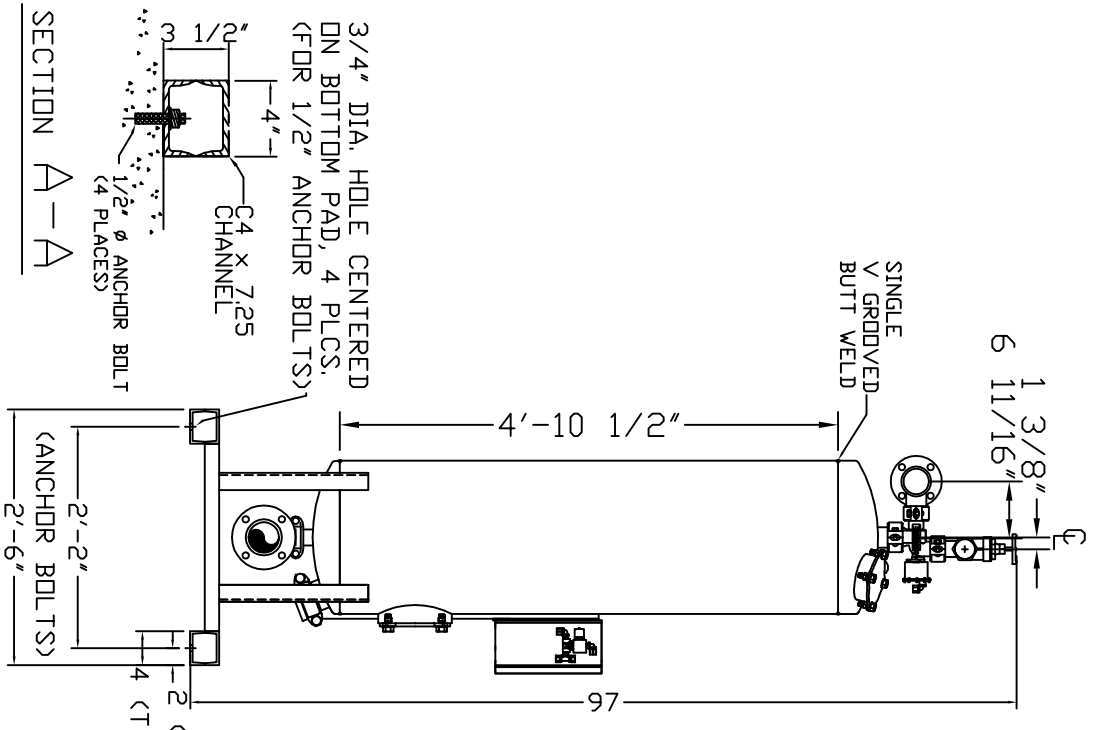
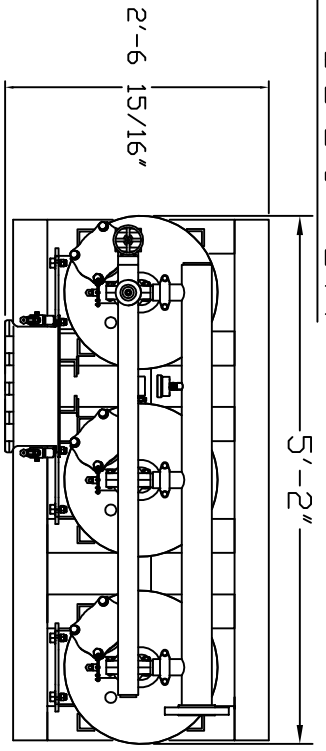


- NOTES:
1. FLOW RATE DESIGN: 26-79 GPM, MAX TD 105 GPM.
 2. MAXIMUM WORKING PRESSURE: 100 PSI.
 3. ELECTRICAL REQUIREMENTS:
CONTROLLER 120V/
SOLENOIDS 24VAC, FACTORY WIRED
 4. AIR SUPPLY REQUIRED: 2 CFM @ 70 PSIG (MIN.).
 5. MEDIA REQUIREMENT PER TANK:
A. 1/2"x3/4" CRUSHED ROCK: 1.0 CU. FT.
B. COARSE MM GARNET: 1.0 CU. FT.
C. FINE MM GARNET: 2.5 CU. FT.
D. ANTHRACITE: 2.5 CU. FT.
 6. WEIGHTS: (APPROX.)
EQUIPMENT: 875 LBS (LESS MEDIA)
MEDIA: 2,468 LBS
OPERATION: 4,500 LBS

MM 1860-3A



THIS DRAWING, INCLUDING THE INFORMATION IT CONTAINS, IS THE PROPERTY OF YARDNEY WATER MANAGEMENT SYSTEMS, INC. IT IS SUBMITTED ONLY IN CONNECTION WITH THE TRANSACTION TO WHICH IT PERTAINS AND MUST NOT BE USED IN ANY OTHER MANNER DETRIMENTAL TO THE INTERESTS OF YARDNEY WATER MANAGEMENT SYSTEMS, INC. IT IS TO BE KEPT AND MUST BE RETURNED UPON REQUEST AND IS NOT TO BE COPIED OR REPRODUCED IN ANY MANNER WITHOUT THE WRITTEN PERMISSION OF YARDNEY WATER MANAGEMENT SYSTEMS, 1994.

APPROVALS DATE

DESIGNED BY	DIC	DATE	10-07
CHECKED BY	APP	DATE	10-07
APPROVED BY	APP	DATE	10-07
REVISIONS	BY	DATE	APP
A	BY	DATE	APP
B	BY	DATE	APP
C	BY	DATE	APP

Yardney WATER MANAGEMENT SYSTEMS, INC.

MM 1860-3A
FILTER SYSTEM

SIZE: DRAWING NO: 9750018603
REV: C

SHEET 1 OF 1