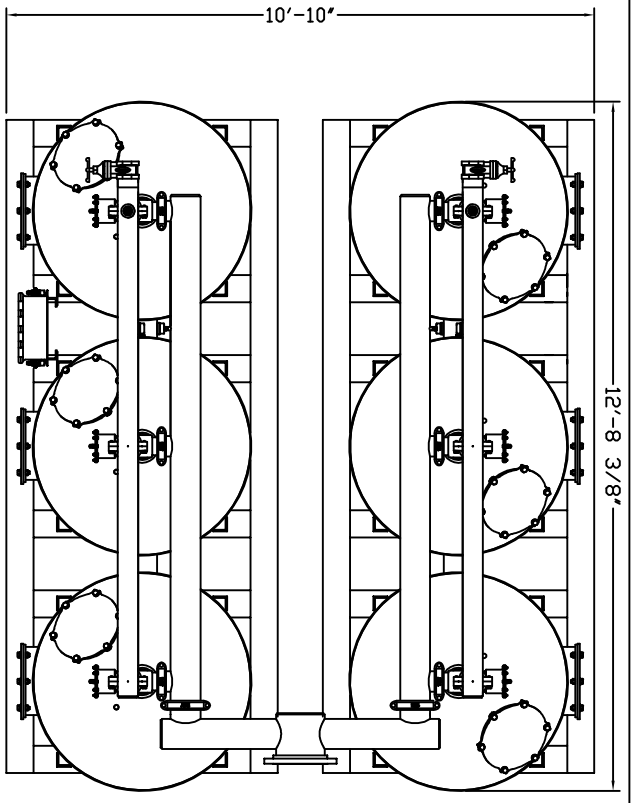
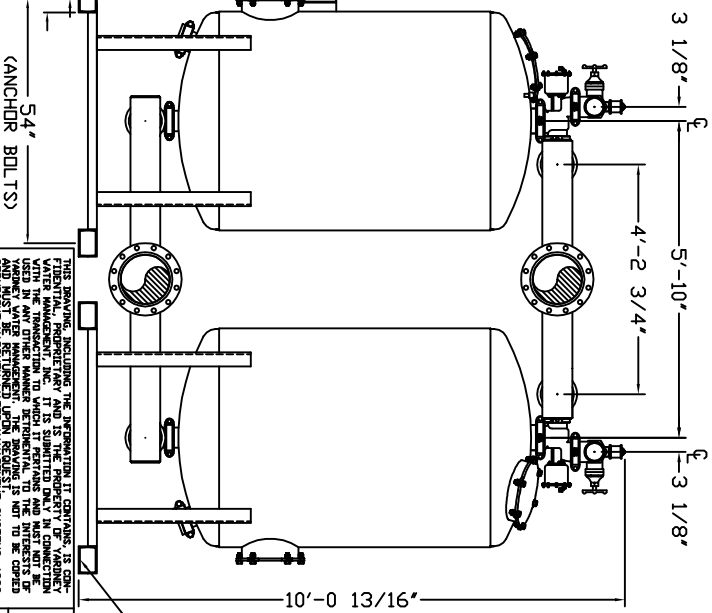
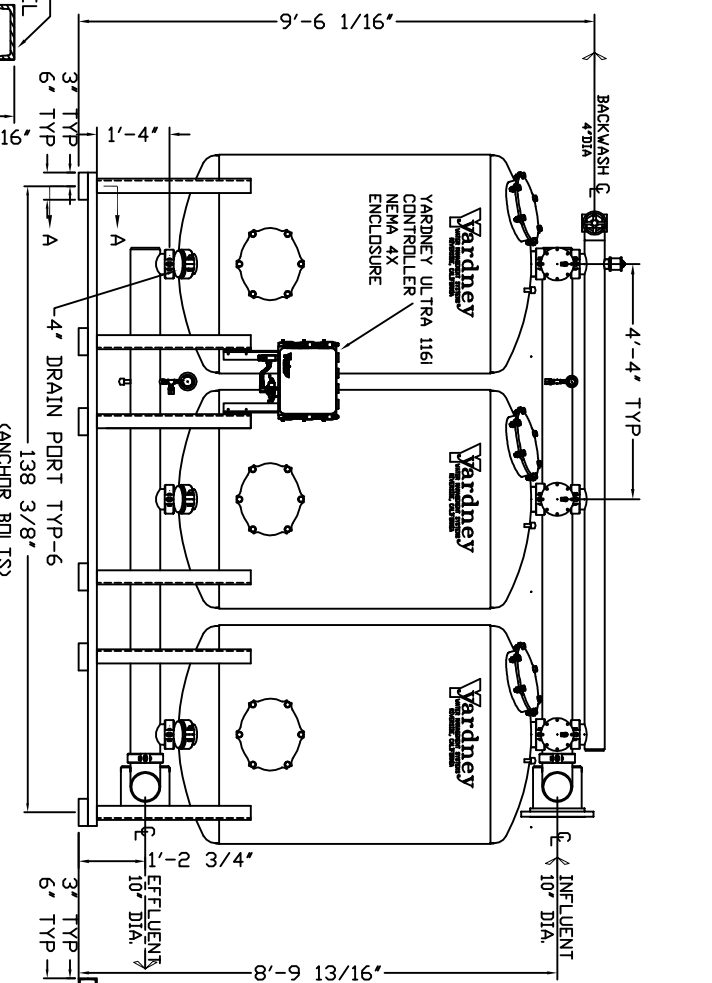


GAC 4872-6A



NOTES:

1. FLOW RATE DESIGN: 378-756 GPM; MAX TD 1440 GPM.
2. MAXIMUM WORKING PRESSURE: 80 PSI.
3. ELECTRICAL REQUIREMENTS:
CONTROLLER 120V;
SOLENOIDS 24VAC; FACTORY WIRED
4. AIR SUPPLY REQUIRED: 2 CFM @ 70 PSIG (MIN.).
5. MEDIA REQUIREMENT PER TANK:
A. 1/2"x3/4" CRUSHED ROCK; 7.0 CU. FT.
B. GRANULAR ACTIVATED CARBON; 50.0 CU. FT.
6. WEIGHTS: (APPROX)
EQUIPMENT: 7,150 LBS (LESS MEDIA)
MEDIA: 30,028 LBS
OPERATION: 54,850 LBS



3/4" DIA. HOLE CENTERED
ON BOTTOM PAD, 4 PLCS.
(FOR 1/2" ANCHOR BOLTS)



REV	DATE	BY	APP	DESCRIPTION
1	01/11/93	APR	APR	INITIAL DESIGN
2	02/10/93	APR	APR	REVISED FOR MEDIA
3	03/10/93	APR	APR	REVISED FOR MEDIA
4	04/10/93	APR	APR	REVISED FOR MEDIA
5	05/10/93	APR	APR	REVISED FOR MEDIA
6	06/10/93	APR	APR	REVISED FOR MEDIA
7	07/10/93	APR	APR	REVISED FOR MEDIA
8	08/10/93	APR	APR	REVISED FOR MEDIA
9	09/10/93	APR	APR	REVISED FOR MEDIA
10	10/10/93	APR	APR	REVISED FOR MEDIA
11	11/10/93	APR	APR	REVISED FOR MEDIA
12	12/10/93	APR	APR	REVISED FOR MEDIA
13	01/10/94	APR	APR	REVISED FOR MEDIA
14	02/10/94	APR	APR	REVISED FOR MEDIA
15	03/10/94	APR	APR	REVISED FOR MEDIA
16	04/10/94	APR	APR	REVISED FOR MEDIA
17	05/10/94	APR	APR	REVISED FOR MEDIA
18	06/10/94	APR	APR	REVISED FOR MEDIA
19	07/10/94	APR	APR	REVISED FOR MEDIA
20	08/10/94	APR	APR	REVISED FOR MEDIA
21	09/10/94	APR	APR	REVISED FOR MEDIA
22	10/10/94	APR	APR	REVISED FOR MEDIA
23	11/10/94	APR	APR	REVISED FOR MEDIA
24	12/10/94	APR	APR	REVISED FOR MEDIA
25	01/10/95	APR	APR	REVISED FOR MEDIA
26	02/10/95	APR	APR	REVISED FOR MEDIA
27	03/10/95	APR	APR	REVISED FOR MEDIA
28	04/10/95	APR	APR	REVISED FOR MEDIA
29	05/10/95	APR	APR	REVISED FOR MEDIA
30	06/10/95	APR	APR	REVISED FOR MEDIA
31	07/10/95	APR	APR	REVISED FOR MEDIA
32	08/10/95	APR	APR	REVISED FOR MEDIA
33	09/10/95	APR	APR	REVISED FOR MEDIA
34	10/10/95	APR	APR	REVISED FOR MEDIA
35	11/10/95	APR	APR	REVISED FOR MEDIA
36	12/10/95	APR	APR	REVISED FOR MEDIA
37	01/10/96	APR	APR	REVISED FOR MEDIA
38	02/10/96	APR	APR	REVISED FOR MEDIA
39	03/10/96	APR	APR	REVISED FOR MEDIA
40	04/10/96	APR	APR	REVISED FOR MEDIA
41	05/10/96	APR	APR	REVISED FOR MEDIA
42	06/10/96	APR	APR	REVISED FOR MEDIA
43	07/10/96	APR	APR	REVISED FOR MEDIA
44	08/10/96	APR	APR	REVISED FOR MEDIA
45	09/10/96	APR	APR	REVISED FOR MEDIA
46	10/10/96	APR	APR	REVISED FOR MEDIA
47	11/10/96	APR	APR	REVISED FOR MEDIA
48	12/10/96	APR	APR	REVISED FOR MEDIA
49	01/10/97	APR	APR	REVISED FOR MEDIA
50	02/10/97	APR	APR	REVISED FOR MEDIA
51	03/10/97	APR	APR	REVISED FOR MEDIA
52	04/10/97	APR	APR	REVISED FOR MEDIA
53	05/10/97	APR	APR	REVISED FOR MEDIA
54	06/10/97	APR	APR	REVISED FOR MEDIA
55	07/10/97	APR	APR	REVISED FOR MEDIA
56	08/10/97	APR	APR	REVISED FOR MEDIA
57	09/10/97	APR	APR	REVISED FOR MEDIA
58	10/10/97	APR	APR	REVISED FOR MEDIA
59	11/10/97	APR	APR	REVISED FOR MEDIA
60	12/10/97	APR	APR	REVISED FOR MEDIA
61	01/10/98	APR	APR	REVISED FOR MEDIA
62	02/10/98	APR	APR	REVISED FOR MEDIA
63	03/10/98	APR	APR	REVISED FOR MEDIA
64	04/10/98	APR	APR	REVISED FOR MEDIA
65	05/10/98	APR	APR	REVISED FOR MEDIA
66	06/10/98	APR	APR	REVISED FOR MEDIA
67	07/10/98	APR	APR	REVISED FOR MEDIA
68	08/10/98	APR	APR	REVISED FOR MEDIA
69	09/10/98	APR	APR	REVISED FOR MEDIA
70	10/10/98	APR	APR	REVISED FOR MEDIA
71	11/10/98	APR	APR	REVISED FOR MEDIA
72	12/10/98	APR	APR	REVISED FOR MEDIA
73	01/10/99	APR	APR	REVISED FOR MEDIA
74	02/10/99	APR	APR	REVISED FOR MEDIA
75	03/10/99	APR	APR	REVISED FOR MEDIA
76	04/10/99	APR	APR	REVISED FOR MEDIA
77	05/10/99	APR	APR	REVISED FOR MEDIA
78	06/10/99	APR	APR	REVISED FOR MEDIA
79	07/10/99	APR	APR	REVISED FOR MEDIA
80	08/10/99	APR	APR	REVISED FOR MEDIA
81	09/10/99	APR	APR	REVISED FOR MEDIA
82	10/10/99	APR	APR	REVISED FOR MEDIA
83	11/10/99	APR	APR	REVISED FOR MEDIA
84	12/10/99	APR	APR	REVISED FOR MEDIA
85	01/10/00	APR	APR	REVISED FOR MEDIA
86	02/10/00	APR	APR	REVISED FOR MEDIA
87	03/10/00	APR	APR	REVISED FOR MEDIA
88	04/10/00	APR	APR	REVISED FOR MEDIA
89	05/10/00	APR	APR	REVISED FOR MEDIA
90	06/10/00	APR	APR	REVISED FOR MEDIA
91	07/10/00	APR	APR	REVISED FOR MEDIA
92	08/10/00	APR	APR	REVISED FOR MEDIA
93	09/10/00	APR	APR	REVISED FOR MEDIA
94	10/10/00	APR	APR	REVISED FOR MEDIA
95	11/10/00	APR	APR	REVISED FOR MEDIA
96	12/10/00	APR	APR	REVISED FOR MEDIA
97	01/10/01	APR	APR	REVISED FOR MEDIA
98	02/10/01	APR	APR	REVISED FOR MEDIA
99	03/10/01	APR	APR	REVISED FOR MEDIA
100	04/10/01	APR	APR	REVISED FOR MEDIA

SECTION A-A
10 1/2" CHANNEL
C6 X
1/2" ANCHOR BOLT (4 PLACES)