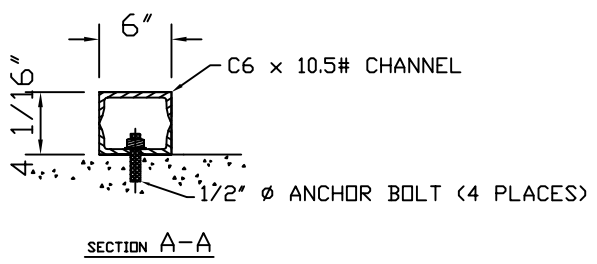
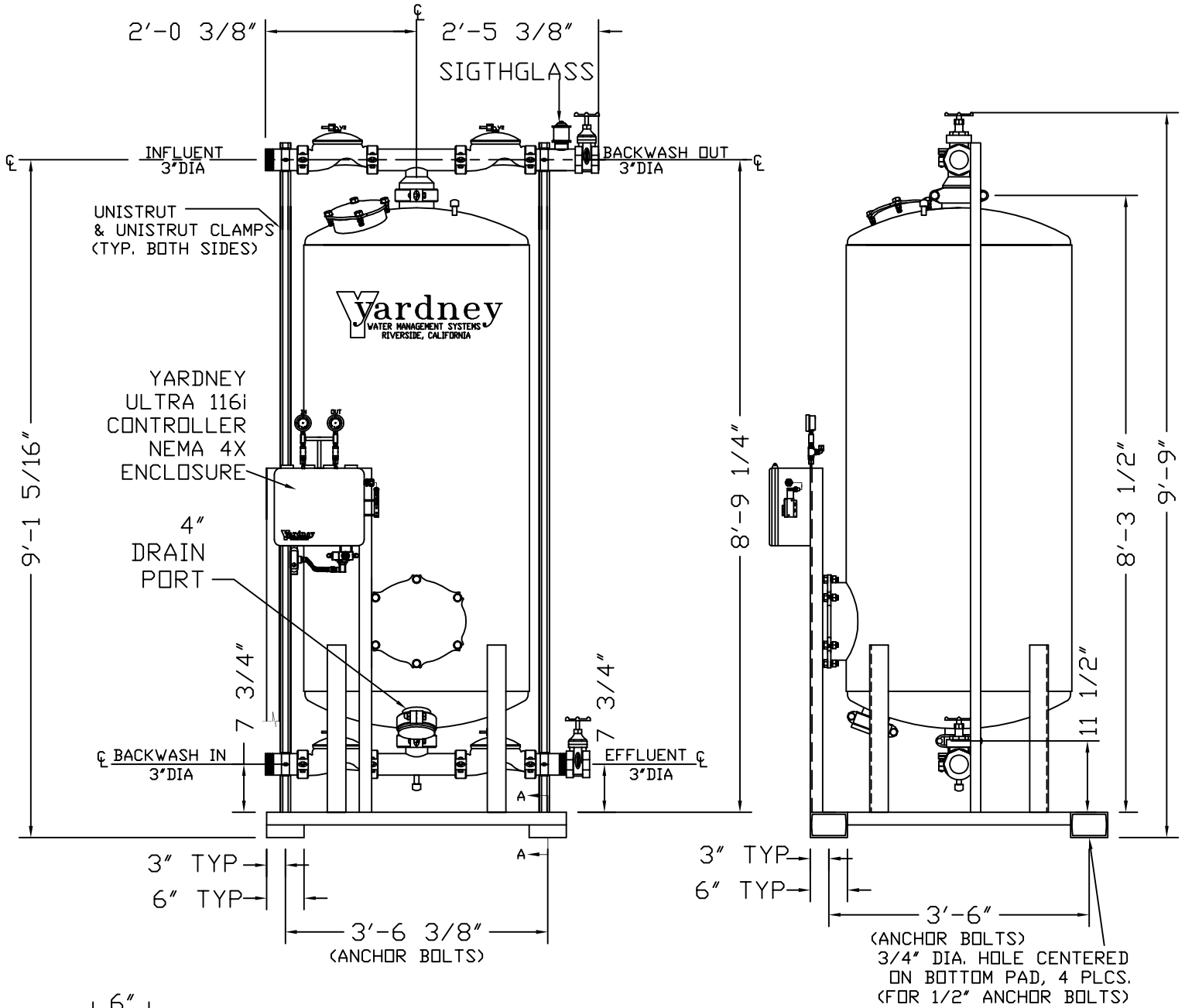
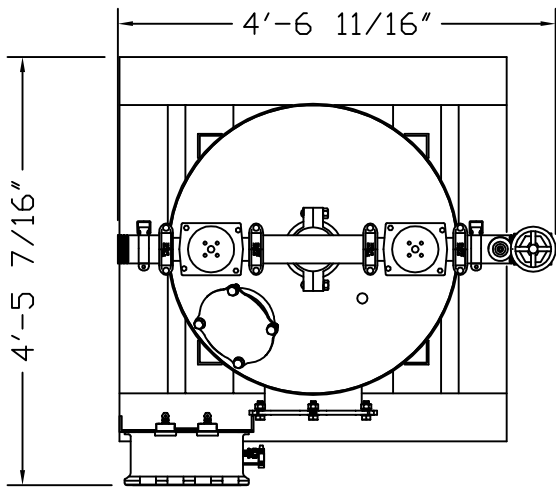


# GAC 3672-1A

**NOTES:**

1. FLOW RATE DESIGN: 35-70 GPM; MAX TO 135 GPM.
2. MAXIMUM WORKING PRESSURE: 100 PSI.
3. ELECTRICAL REQUIREMENTS:  
CONTROLLER 120V;  
SOLENOIDS 24VAC; FACTORY WIRED
4. AIR SUPPLY REQUIRED - 2 CFM @ 70 PSIG (MIN.).
5. MEDIA REQUIREMENT PER TANK:  
A. 1/2"x3/4" CRUSHED ROCK: 4.0 CU. FT. .  
B. GRANULAR ACTIVATED CARBON: 28.0 CU. FT. .
6. WEIGHTS: (APPROX.)  
EQUIPMENT: 910 LBS (LESS MEDIA)  
MEDIA: 1,262 LBS  
OPERATION: 3,800 LBS



DO NOT SCALE DRAWING

<p>THIS DRAWING, INCLUDING THE INFORMATION IT CONTAINS, IS CONFIDENTIAL, PROPRIETARY AND IS THE PROPERTY OF YARDNEY WATER MANAGEMENT, INC. IT IS SUBMITTED ONLY IN CONNECTION WITH THE TRANSACTION TO WHICH IT PERTAINS AND MUST NOT BE USED IN ANY OTHER MANNER DETRIMENTAL TO THE INTERESTS OF YARDNEY WATER MANAGEMENT. THE DRAWING IS NOT TO BE COPIED AND NOT BE RETURNED UNLESS REQUESTED BY YARDNEY WATER MANAGEMENT SYSTEMS, INC.</p>				<p><b>Yardney</b> WATER MANAGEMENT SYSTEMS RIVERSIDE, CALIFORNIA</p>	
E	ADDED 4" DRAIN PORT	DTD 11-09	APP	APPROVALS	DATE
D	ADDED SIGHTGLASS	DTD 10-07	APP	DRAWN BY: K.A.T.	8/28/99
C	CORRECTED GPM FLOW RATES	DTC 10-05	APP	CHECKED BY:	
B	STANDARDIZED NOTES	DTC 9-05	APP	APPROVED BY:	
A	DOROT VALVE WAS THD TO VIC-TANK LEN. 60.5	DTC 1-05	APP	ARCHITECTURAL	
SYM	REVISIONS	BY	DATE	APP	USED ON
				SIZE	DRAWING NO.
				D	9500367201
				SCALE	DWG 300 SYSTEM/GAC
				SHEET	E

**GAC 3672-1A SINGLE TANK SYSTEM**