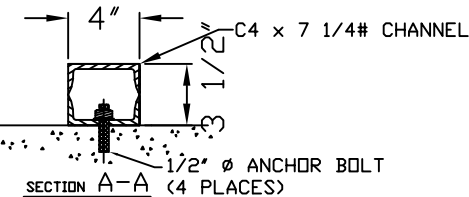
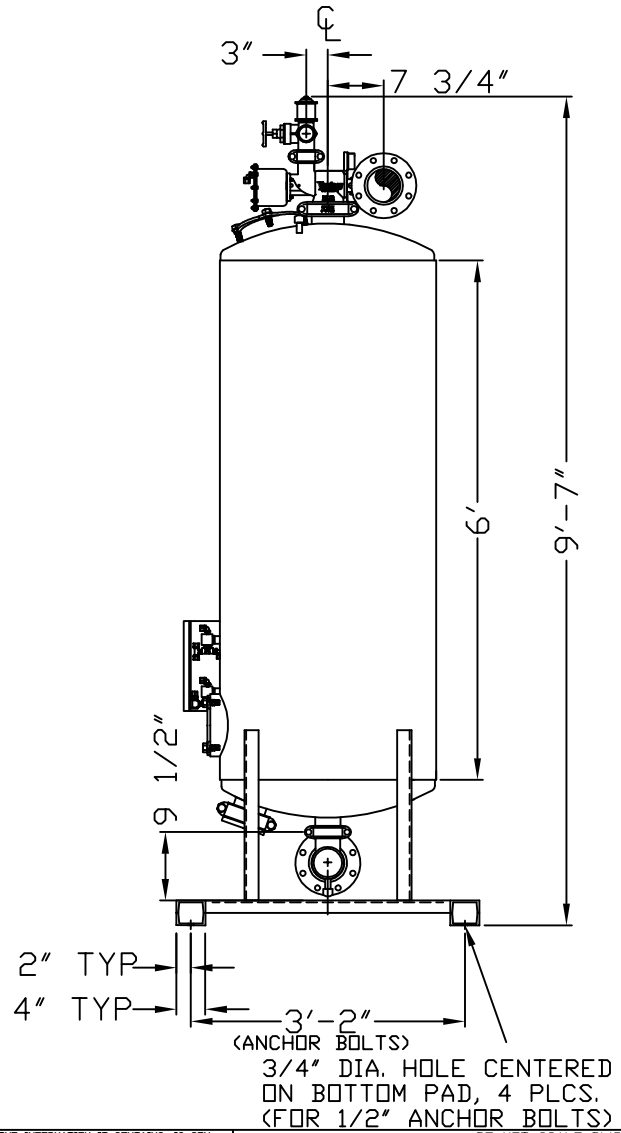
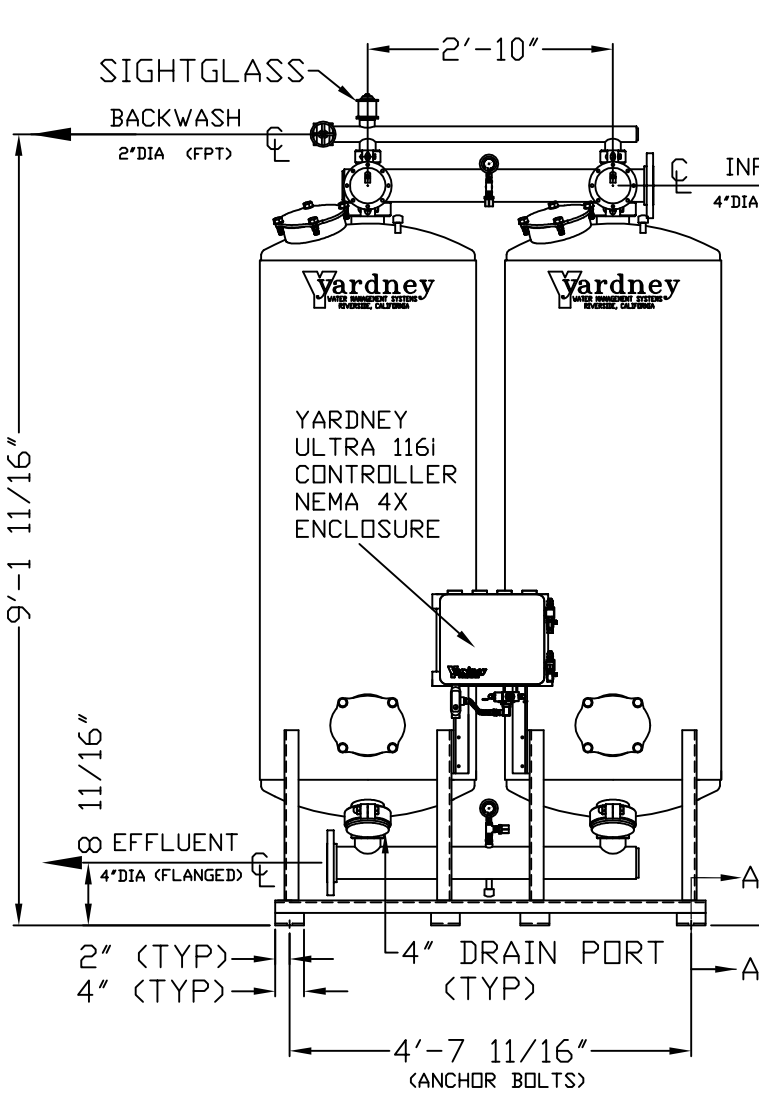
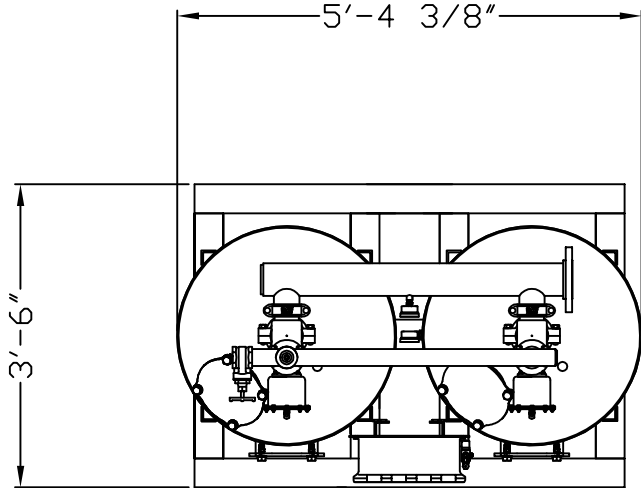


# GAC 3072-2A

**NOTES:**

1. FLOW RATE DESIGN: 50-100 GPM; MAX TO 180 GPM.
2. MAXIMUM WORKING PRESSURE: 100 PSI.
3. ELECTRICAL REQUIREMENTS:  
CONTROLLER 120V;  
SOLENOIDS 24VAC; FACTORY WIRED
4. AIR SUPPLY REQUIRED: 2 CFM @ 70 PSIG (MIN.).
5. MEDIA REQUIREMENT PER TANK:  
A. 1/2"x3/4" CRUSHED ROCK: 2.5 CU. FT. .  
B. GRANULAR ACTIATED CARBON: 19.5 CU. FT. .
6. WEIGHTS: (APPROX.)  
EQUIPMENT: 1,260 LBS (LESS MEDIA)  
MEDIA: 1,656 LBS  
OPERATION: 5,200 LBS



|   |                                |                              |      |                     |         |
|---|--------------------------------|------------------------------|------|---------------------|---------|
| THIS DRAWING, INCLUDING THE INFORMATION IT CONTAINS, IS CONFIDENTIAL, PROPRIETARY AND IS THE PROPERTY OF YARDEY WATER MANAGEMENT, INC. IT IS SUBMITTED ONLY IN CONNECTION WITH THE TRANSACTION TO WHICH IT PERTAINS AND MUST NOT BE USED IN ANY OTHER MANNER DETRIMENTAL TO THE INTERESTS OF YARDEY WATER MANAGEMENT. THE DRAWING IS NOT TO BE REPRODUCED OR COPIED IN ANY MANNER WITHOUT THE WRITTEN PERMISSION OF YARDEY WATER MANAGEMENT SYSTEMS, INC. |                                |                              |      | DO NOT SCALE DWG.   |         |
|   |                                | GAC 3072-2A<br>FILTER SYSTEM |      |                     |         |
| E   | ADDED 4" DRAIN PORT            | DTD 11-09                    | APP  | APPROVALS           | DATE    |
| D   | ADDED SIGHTGLASS               | DTD 10-07                    | APP  | DRWEN BY            | 6/18/24 |
| C   | REDRAWN WITH NEMA 4X ENCLOSURE | DTD 7-06                     | APP  | CHECKED BY          |         |
| B   | CORRECTED GPM FLOW RATES       | DTC 10-05                    | APP  | APPROVED BY         |         |
| A   | STANDARDIZED NOTES             | DTC 9-05                     | APP  | ARCHITECTURAL SCALE | NONE    |
| SYM   | REVISIONS                      | BY                           | DATE | APP                 | SCALE   |