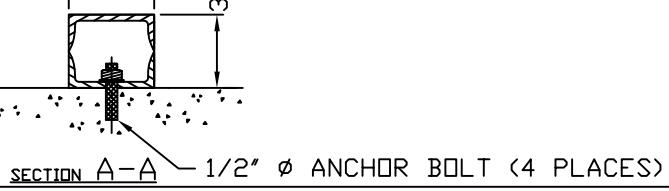
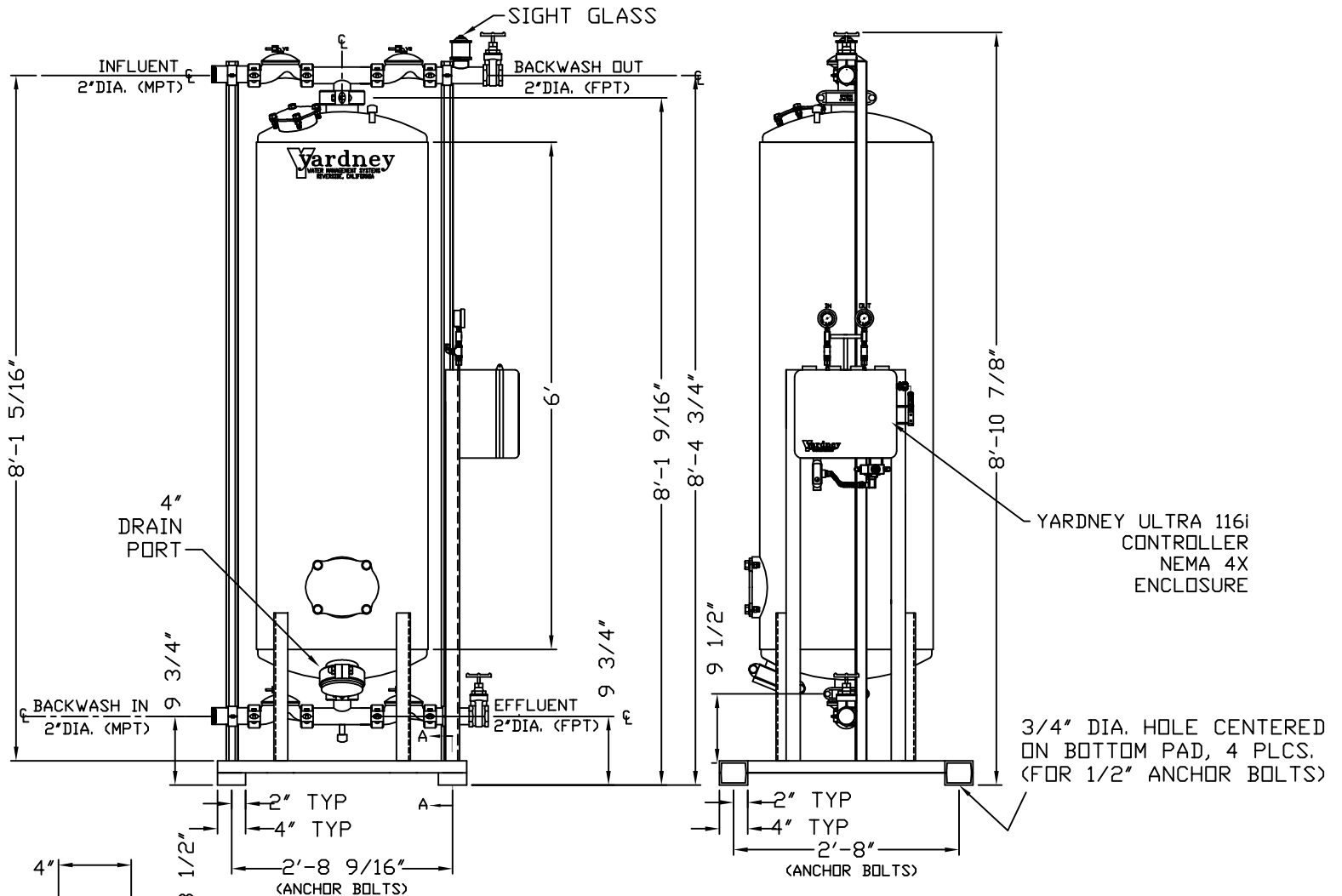
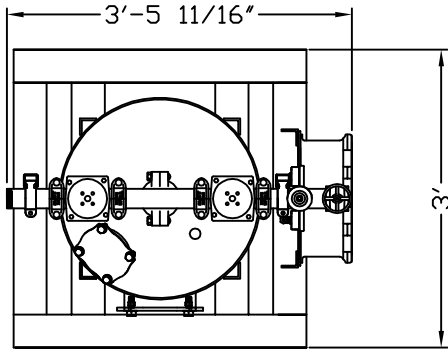


GAC 2472-1A

NOTES:

1. FLOW RATE DESIGN: 16-32 GPM; MAX TO 60 GPM.
2. MAXIMUM WORKING PRESSURE: 100 PSI.
3. ELECTRICAL REQUIREMENTS:
CONTROLLER 120V;
SOLENOIDS 24VAC; FACTORY WIRED
4. AIR SUPPLY REQUIRED: 2 CFM @ 70 PSIG (MIN.).
5. MEDIA REQUIREMENT PER TANK:
A. 1/2"x3/4" CRUSHED ROCK: 15 CU. FT.
B. GRANULAR ACTIVATED CARBON: 12.5 CU. FT.
6. WEIGHTS: (APPROX.)
EQUIPMENT: 510 LBS (LESS MEDIA)
MEDIA: 513 LBS
OPERATION: 1,750 LBS



| | | | | | |
|-----------------------------------------------------------------------------------------------------------------------------------------------------------------------------------------------------------------------------------------------------------------------------------------------------------------------------------------------------------------------------------------------------------------------------------------------------------------|--|--------------------------------------------|--|---------------------------------|--|
| <small>THIS DRAWING, INCLUDING THE INFORMATION IT CONTAINS, IS CONFIDENTIAL, PROPRIETARY, AND IS THE PROPERTY OF YARDNEY WATER MANAGEMENT, INC. IT IS SUBMITTED ONLY IN CONNECTION WITH THE TRANSACTION TO WHICH IT PERTAINS AND MUST NOT BE USED IN ANY OTHER MANNER DETRIMENTAL TO THE INTERESTS OF YARDNEY WATER MANAGEMENT. THE DRAWING IS NOT TO BE COPIED AND MUST BE RETURNED UPON REQUEST. COPYRIGHT YARDNEY WATER MANAGEMENT SYSTEMS, 1993</small> | | | | <small>DO NOT SCALE DWG</small> | |
| Yardney <small>WATER MANAGEMENT SYSTEMS RIVERSIDE, CALIFORNIA</small> | | GAC 2472-1A FILTER SYSTEM | | REV. E | |
| APPROVALS DATE DRAWN BY: A.T. (10/20/97) | | SIZE: D DRAWING NO.: 9500247201 | | REV. E | |
| E ADDED 4\"/> | | DTD 11-09 APP | | APPROVED BY: | |
| D ADDED SIGHT GLASS | | DTD 6-07 APP | | SCALE: | |
| C CORRECTED GPM FLOW RATES | | DTC 10-05 APP | | SHEET NO. | |
| B STANDARDIZED NOTES | | DTC 9-05 APP | | FIELD NO. | |
| SYN REVISIONS | | BY DATE APP | | FIELD NO. | |