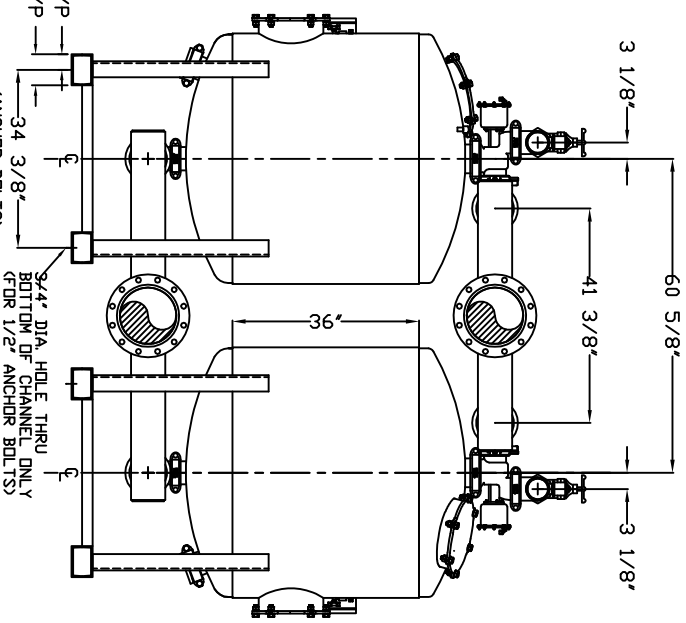
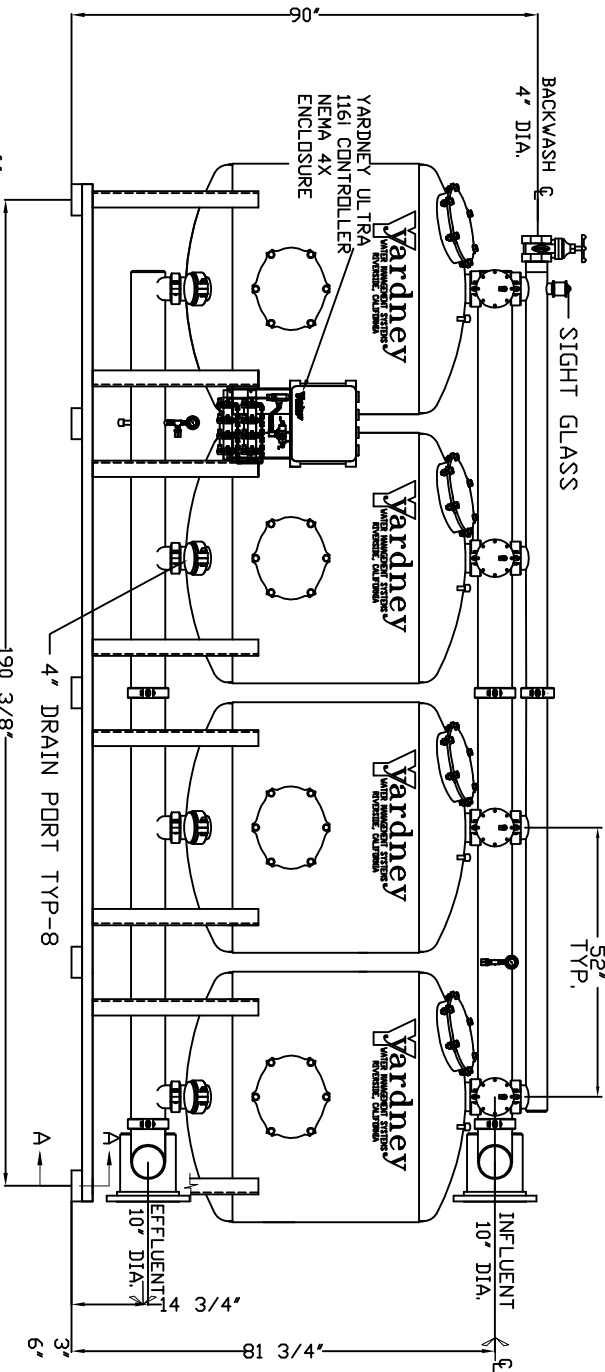
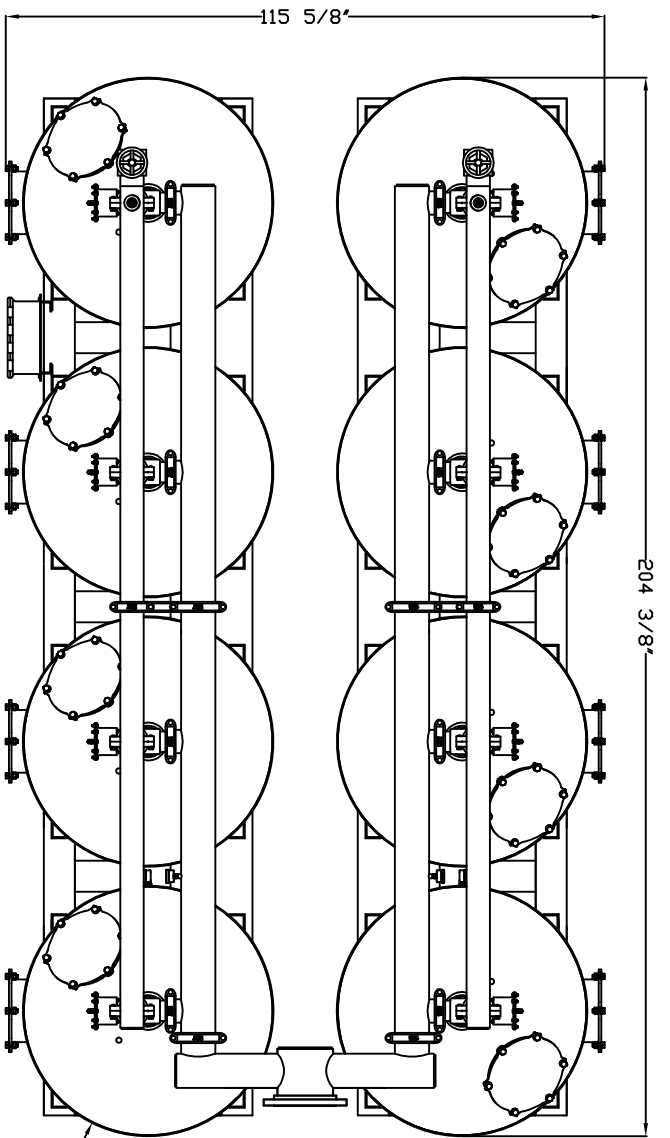
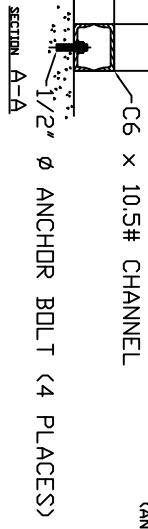


IL 4836-8A



- NOTES:
1. FLOW RATE DESIGN: 1008-1512 GPM
BACKWASH RATE: 15 GPM/FT².
 2. MAXIMUM WORKING PRESSURE: 80 PSI.
 3. ELECTRICAL REQUIREMENTS:
CONTROLLER 120V;
SOLENOIDS 24VAC; FACTORY WIRED
 4. AIR SUPPLY REQUIRED: 2 CFM @ 70 PSIG (MIN.).
 5. MEDIA REQUIREMENT PER TANK:
A. 1/2"x3/4" CRUSHED ROCK;
B. 0.47mm CRUSHED SILICA SAND: 7.0 CU. FT. ; 33.5 CU. FT. ;
 6. WEIGHTS: (APPROX.)
EQUIPMENT: 8,640 LBS (LESS MEDIA)
MEDIA: 32,500 LBS
OPERATION: 49,500 LBS



THIS DRAWING, INCLUDING THE INFORMATION IT CONTAINS, IS CONFIDENTIAL, PROPRIETARY AND IS THE PROPERTY OF YARDNEY WATER MANAGEMENT, INC. IT IS SUBMITTED ONLY IN CONNECTION WITH THE PROJECT AND IS NOT TO BE REPRODUCED, COPIED, USED IN ANY OTHER MANNER DETRIMENTAL TO THE INTERESTS OF YARDNEY WATER MANAGEMENT, AND THE DRAWING IS NOT TO BE CARRIED OR REPRODUCED BY ANY OTHER PARTY WITHOUT THE WRITTEN CONSENT OF YARDNEY WATER MANAGEMENT SYSTEMS, 1999

DO NOT SCALE DWG.

Yardney
WATER MANAGEMENT SYSTEMS
DESIGNER, CONSULTANT

IL 4836-8A
FILTER SYSTEM

REV#	DATE	BY	DESCRIPTION
A			ADDED 4" DRAIN PORT

DATE	11-09	APP	APR
DATE		BY	DATE
DATE		BY	DATE

SIZE: DRAWING NO. 9500483608
SHEET 1 OF 1