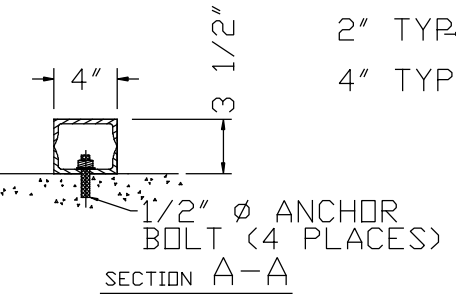
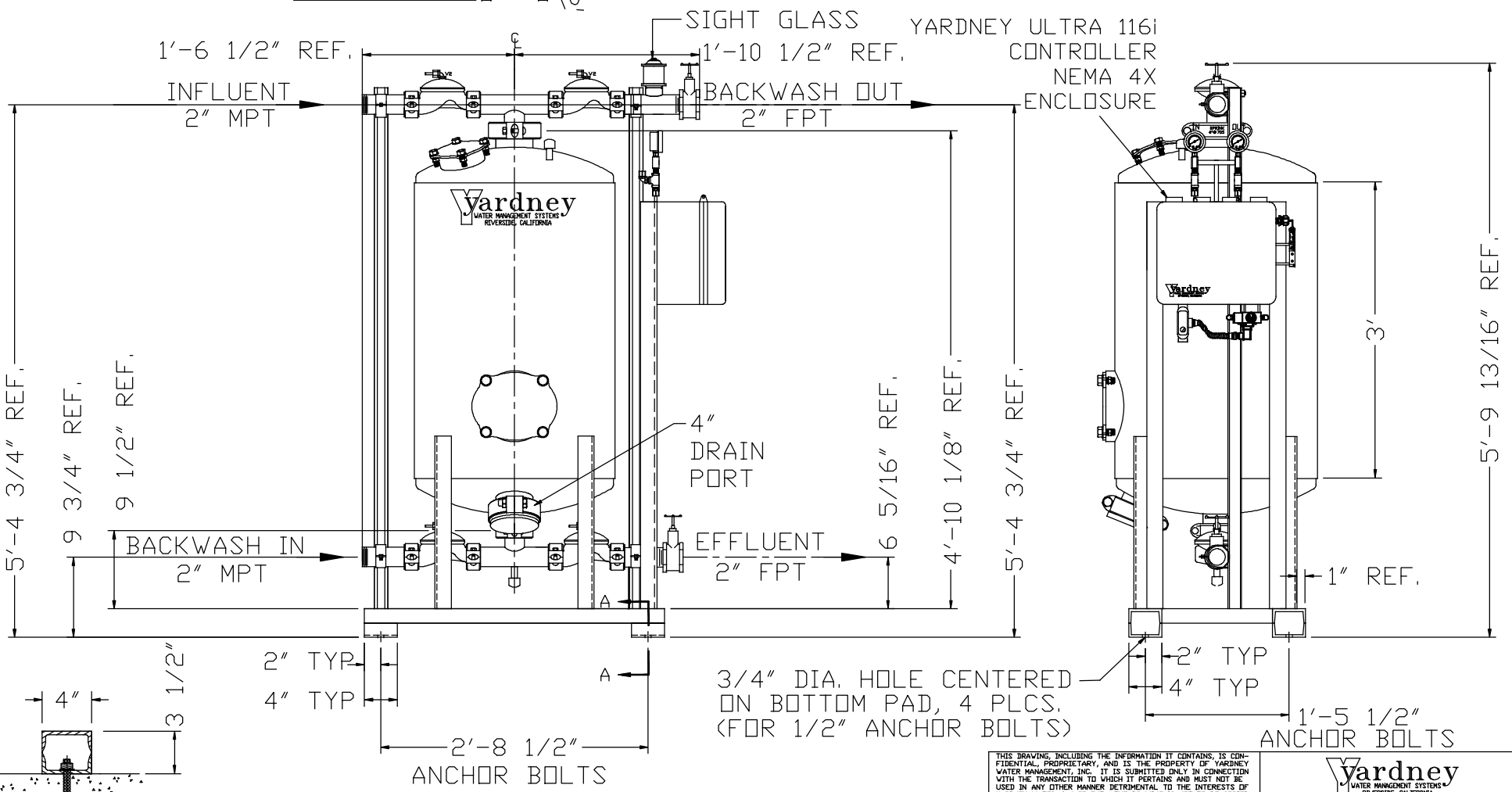
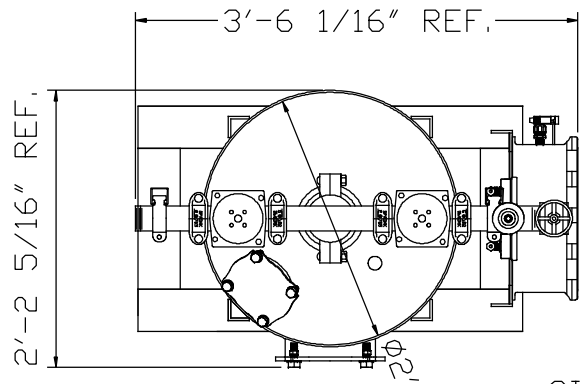


NOTES:

1. FLOW RATE DESIGN: 32-47 GPM.  
BACKWASH RATE: 15 GPM/FT<sup>2</sup>.
2. MAXIMUM WORKING PRESSURE: 100 PSI.
3. ELECTRICAL REQUIREMENTS:  
CONTROLLER 120V;  
SOLENOIDS 24VAC; FACTORY WIRED
4. AIR SUPPLY REQUIRED: 2 CFM @ 70 PSIG (MIN.).
5. MEDIA REQUIREMENT PER TANK:  
A. 1/2"x3/4" CRUSHED ROCK: 1.5 CU. FT. .  
B. 0.47mm CRUSHED SILICA SAND: 7.5 CU. FT. .
6. WEIGHTS: (APPROX.)  
EQUIPMENT: 370 LBS (LESS MEDIA)  
MEDIA: 950 LBS  
OPERATION: 1,550 LBS



3/4" DIA. HOLE CENTERED ON BOTTOM PAD, 4 PLCS. (FOR 1/2" ANCHOR BOLTS)

<small>THIS DRAWING, INCLUDING THE INFORMATION IT CONTAINS, IS CONFIDENTIAL, PROPRIETARY, AND IS THE PROPERTY OF YARDENEY WATER MANAGEMENT, INC. IT IS SUBMITTED ONLY IN CONNECTION WITH THE TRANSACTION TO WHICH IT PERTAINS AND MUST NOT BE USED IN ANY OTHER MANNER DETRIMENTAL TO THE INTERESTS OF YARDENEY WATER MANAGEMENT. THE DRAWING IS NOT TO BE COPIED AND MUST BE RETURNED UPON REQUEST.</small> <small>COPYRIGHT YARDENEY WATER MANAGEMENT SYSTEMS, 1993.</small>				<b>APPROVALS</b> DATE DRAWN BY: K.A.T. 6/3/96	
E	ADDED 4" DRAIN PORT	DTD	11-09	APP	
D	CHG TO NEMA 4X ENCLOSURE	DTC	6-07	APP	
C	CORRECTED GPM FLOW RATES	DTC	10-05	APP	
B	STANDARDIZED NOTES	DTC	9-05	APP	
SYN	REVISIONS	BY	DATE	APP	USED ON
				SCALE	DWG NO.
				SYSTEMS\IL	9500243601
				SIZE	D
				DRAWING NO.	IL 2436-1A
				SHEET	1 OF 1
				REVI	E



IL 2436-1A  
FILTER SYSTEM