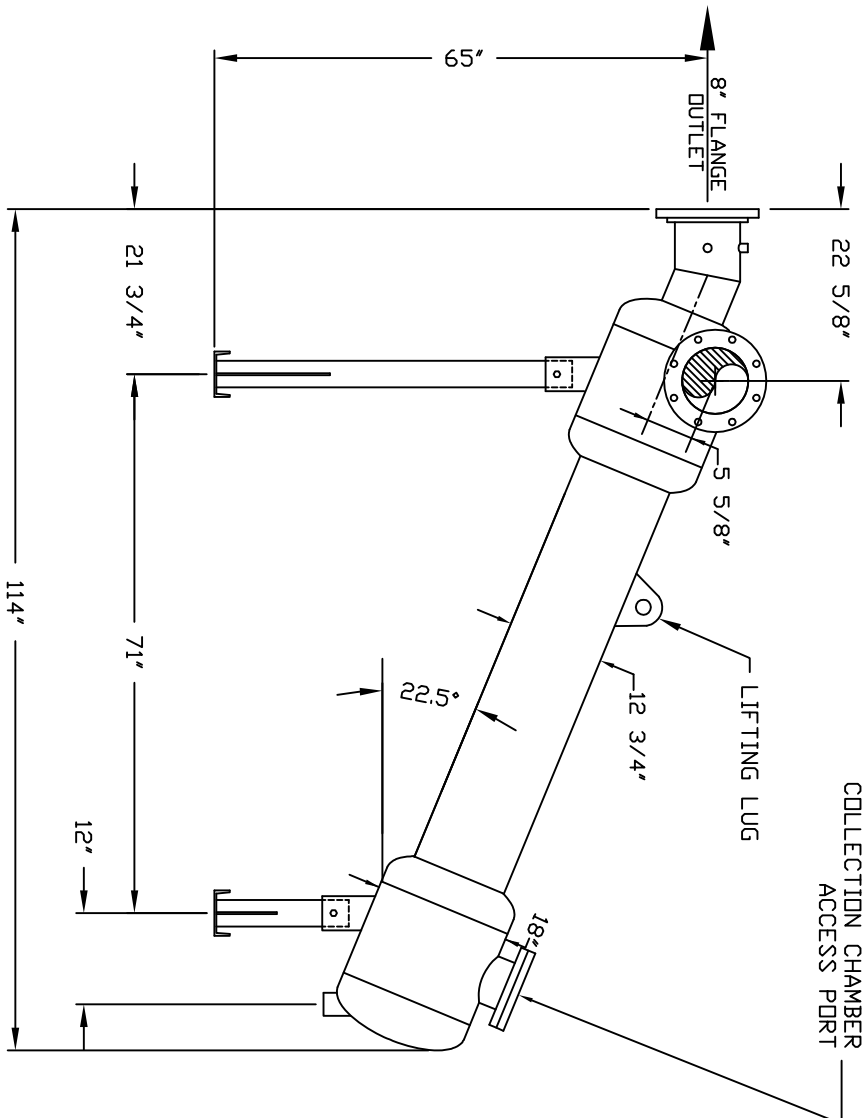
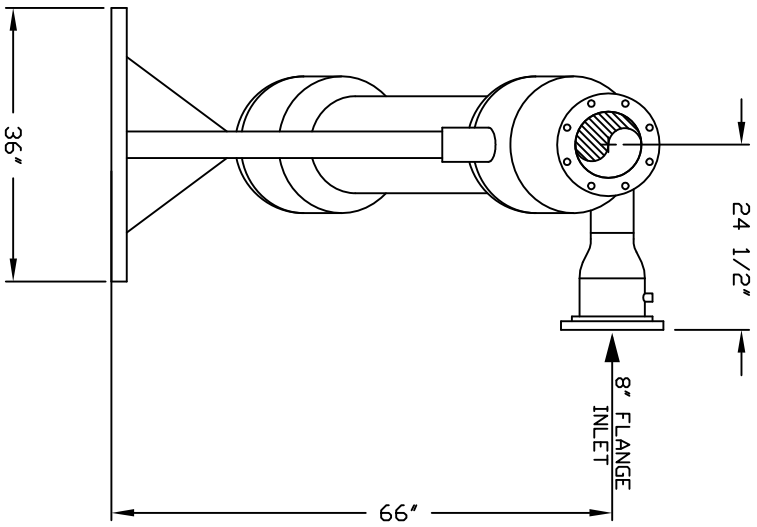


SEPARATOR PCS-80A



FLOW RATE: 800-1600 GPM

MAX PRESSURE: 150 PSI MAX

MIN BACK PRESSURE: 15 PSI

THIS DRAWING, INCLUDING THE INFORMATION IT CONTAINS, IS CONFIDENTIAL, PROPRIETARY AND IS THE PROPERTY OF YARDEY WATER MANAGEMENT, INC. IT IS SUBMITTED ONLY IN CONNECTION WITH THE TRANSACTION TO WHICH IT PERTAINS AND MUST NOT BE USED IN ANY OTHER MANNER DETRIMENTAL TO THE INTERESTS OF YARDEY WATER MANAGEMENT. THE DRAWING IS NOT TO BE COPIED AND MUST BE RETURNED UPON REQUEST. COPYRIGHT YARDEY WATER MANAGEMENT SYSTEMS, 1993



APPROVALS	DATE	SEPARATOR PCS-80A													
DESIGNED BY	1/21/02	SIZE	DRAWING NO.												
CHECKED BY	JMW	SCALE	DWG DIR \ SEPARATOR\PCS\												
APPROVED BY		REV.	B												
ARCHITECTURAL		SHEET	1 OF 1												
<table border="1"> <thead> <tr> <th>SYN</th> <th>REV</th> <th>DESCRIPTION</th> <th>DATE</th> </tr> </thead> <tbody> <tr> <td>A</td> <td></td> <td>ADDED 3D VIEW</td> <td></td> </tr> <tr> <td>B</td> <td></td> <td>MANUFACTURING CHANGES</td> <td></td> </tr> </tbody> </table>				SYN	REV	DESCRIPTION	DATE	A		ADDED 3D VIEW		B		MANUFACTURING CHANGES	
SYN	REV	DESCRIPTION	DATE												
A		ADDED 3D VIEW													
B		MANUFACTURING CHANGES													
<table border="1"> <thead> <tr> <th>BY</th> <th>DATE</th> <th>APP</th> </tr> </thead> <tbody> <tr> <td>DTC</td> <td>1-06</td> <td>APP</td> </tr> <tr> <td>DTC</td> <td>2-05</td> <td>APP</td> </tr> <tr> <td colspan="3">REVISIONS</td> </tr> </tbody> </table>				BY	DATE	APP	DTC	1-06	APP	DTC	2-05	APP	REVISIONS		
BY	DATE	APP													
DTC	1-06	APP													
DTC	2-05	APP													
REVISIONS															