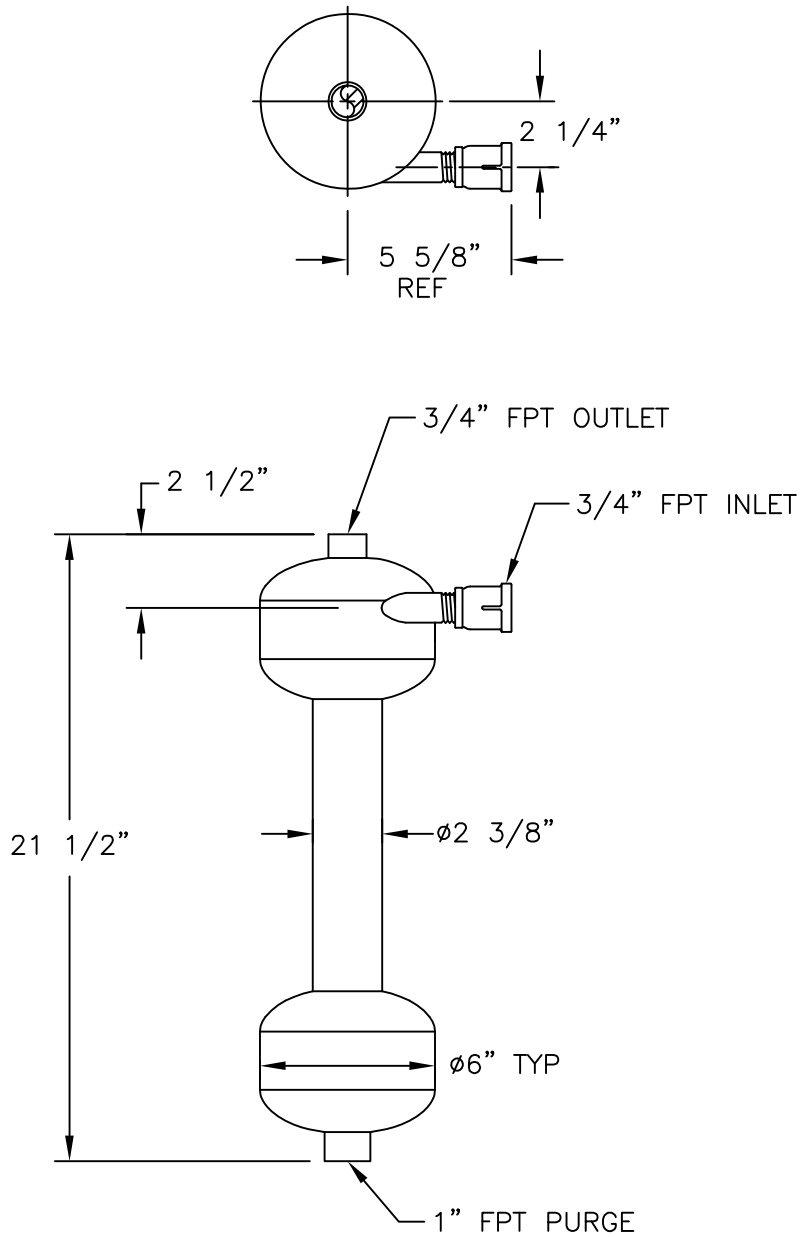



# PCS 7V SEPARATOR



FLOW RATE: 10 – 20 GPM.  
 PRESSURE RATING: 150 PSI.  
 SHIPPING WEIGHT: 15 LBS.

THIS DRAWING, INCLUDING THE INFORMATION IT CONTAINS, IS CONFIDENTIAL, PROPRIETARY AND IS THE PROPERTY OF YARDNEY WATER MANAGEMENT, INC. IT IS SUBMITTED ONLY IN CONNECTION WITH THE TRANSACTION TO WHICH IT PERTAINS AND MUST NOT BE USED IN ANY OTHER MANNER DETRIMENTAL TO THE INTERESTS OF YARDNEY WATER MANAGEMENT. THE DRAWING IS NOT TO BE COPIED AND MUST BE RETURNED UPON REQUEST. COPYRIGHT YARDNEY WATER MANAGEMENT SYSTEMS, 1994				 WATER MANAGEMENT SYSTEMS RIVERSIDE, CALIFORNIA		
						APPROVALS
DRAWN BY: JMW		10/11/99		SIZE	DRAWING NO:	REV: B
CHECKED BY:						
B	ADDED MISSING DIMENSIONS	DTO	10-12	APP		
A	WAS 20 1/2" UPDATED TO LITURATURE DIM.	DTC	3-04	APP		
SYMBOLS		BY	DATE	APP	SCALE: DWG DIR: \SYSTEM\SEPARATOR\PCS SHEET	