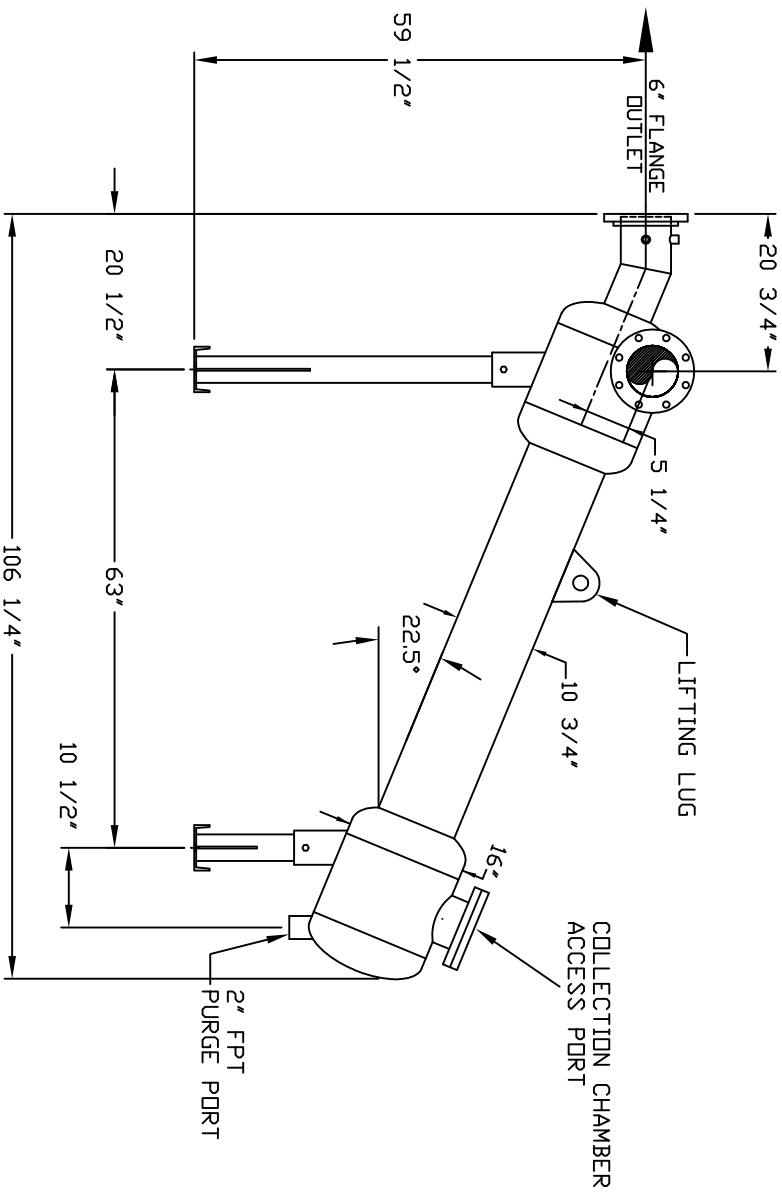
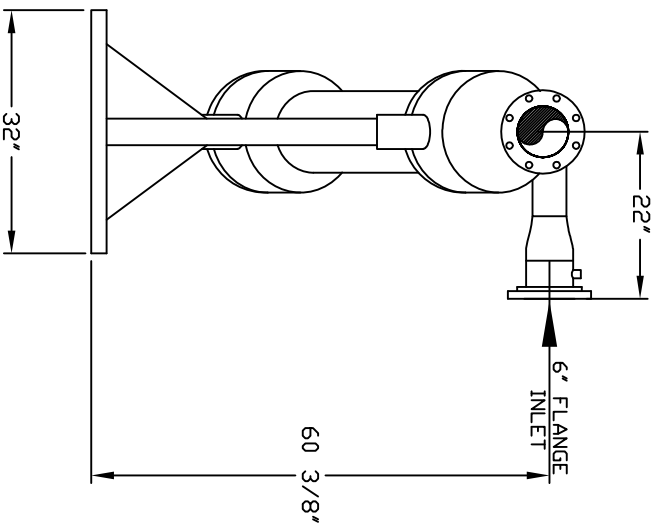


SEPARATOR PCS-60A



FLOW RATE: 365-960 GPM
 MAX PRESSURE: 150 PSI MAX
 MIN BACK PRESSURE: 15 PSI

THIS DRAWING, INCLUDING THE INFORMATION IT CONTAINS, IS CONFIDENTIAL, PROPRIETARY AND IS THE PROPERTY OF YARNEY WATER MANAGEMENT, INC. IT IS SUBMITTED ONLY IN CONNECTION WITH THE TRANSACTION TO WHICH IT PERTAINS AND MUST NOT BE USED IN ANY OTHER MANNER DETRIMENTAL TO THE INTERESTS OF YARNEY WATER MANAGEMENT. THE DRAWING IS NOT TO BE COPIED AND MUST BE RETURNED UPON REQUEST.
 COPYRIGHT YARNEY WATER MANAGEMENT SYSTEMS, 1993

SYN	REV	DESCRIPTION	BY	DATE	APP
B		INLET LOCATION WAS 60 3/8"			
A		MANUFACTURING CHANGES	DTC	1-06	APP
SYM		REVISIONS			

APPROVALS	DATE	SEPARATOR PCS-60A
DRAWN BY: DTC	1-13-06	ANGLED
CHECKED BY:		
APPROVED BY:		
ARCHITECTURAL SCALE:		
SIZE:	DRAWING NO:	REV: B
SCALE:	DWG DIR: SEPARATOR\PCS	SHEET 1 OF 1

