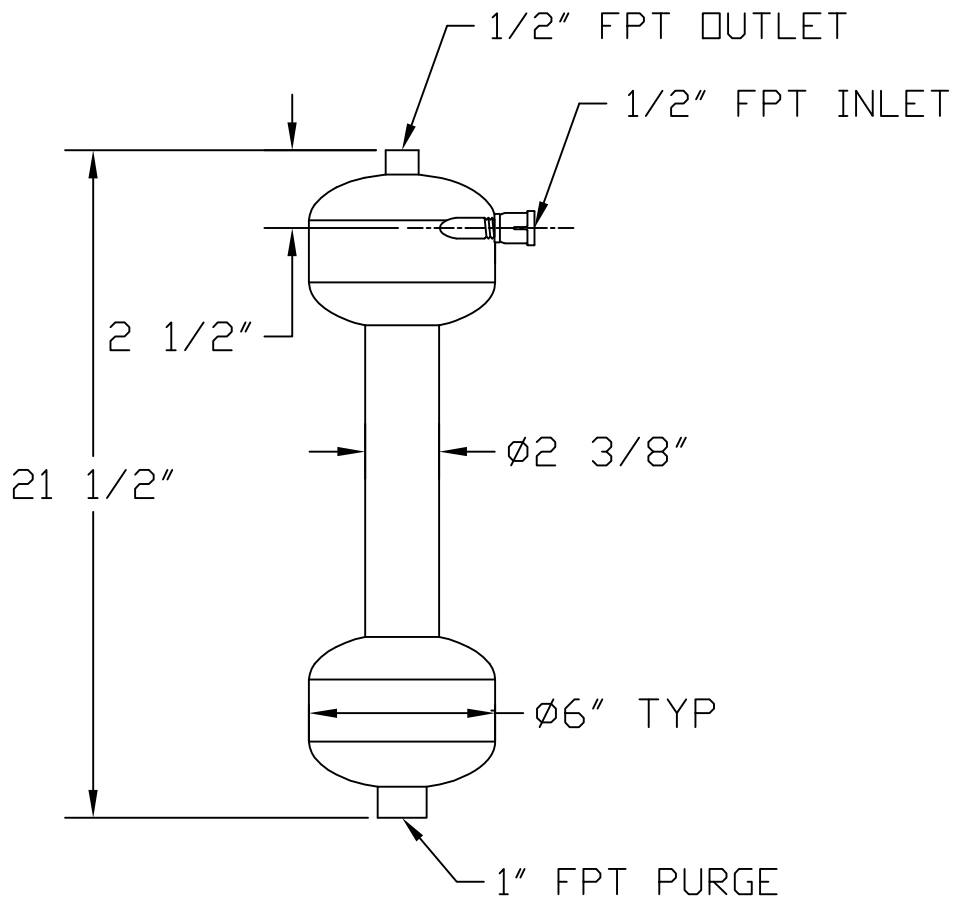
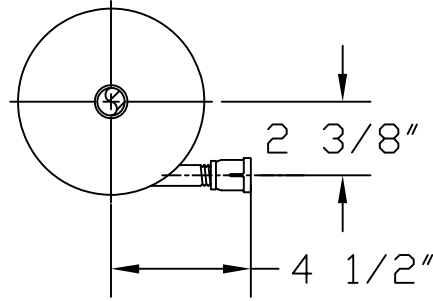



PCS 5V SEPARATOR



FLOW RATE: 4 - 10 GPM.
 PRESSURE RATING: 150 PSI.
 SHIPPING WEIGHT: 13LBS.

THIS DRAWING, INCLUDING THE INFORMATION IT CONTAINS, IS CONFIDENTIAL, PROPRIETARY, AND IS THE PROPERTY OF YARNEY WATER MANAGEMENT, INC. IT IS SUBMITTED ONLY IN CONNECTION WITH THE TRANSACTION TO WHICH IT PERTAINS AND MUST NOT BE USED IN ANY OTHER MANNER DETRIMENTAL TO THE INTERESTS OF YARNEY WATER MANAGEMENT. THE DRAWING IS NOT TO BE COPIED AND MUST BE RETURNED UPON REQUEST. COPYRIGHT YARNEY WATER MANAGEMENT SYSTEMS, 1994.			CUSTOMER:		 PCS 5V SEPARATOR	
			USED ON:			
			DRAWN BY: JMW			
			DATE: 4/14/2003			
B	ADDED MISSING DIMENSIONS	DTD	10-12	DRAWING NO:		REV: B
A	WAS 20 1/2" UPDATED TO LITURATURE DIM	DTC	3-04	LOCATION: \SYSTEM\SEPARATOR\PCS		SHEET 1 OF 1
NO.	REVISION	BY	DATE			