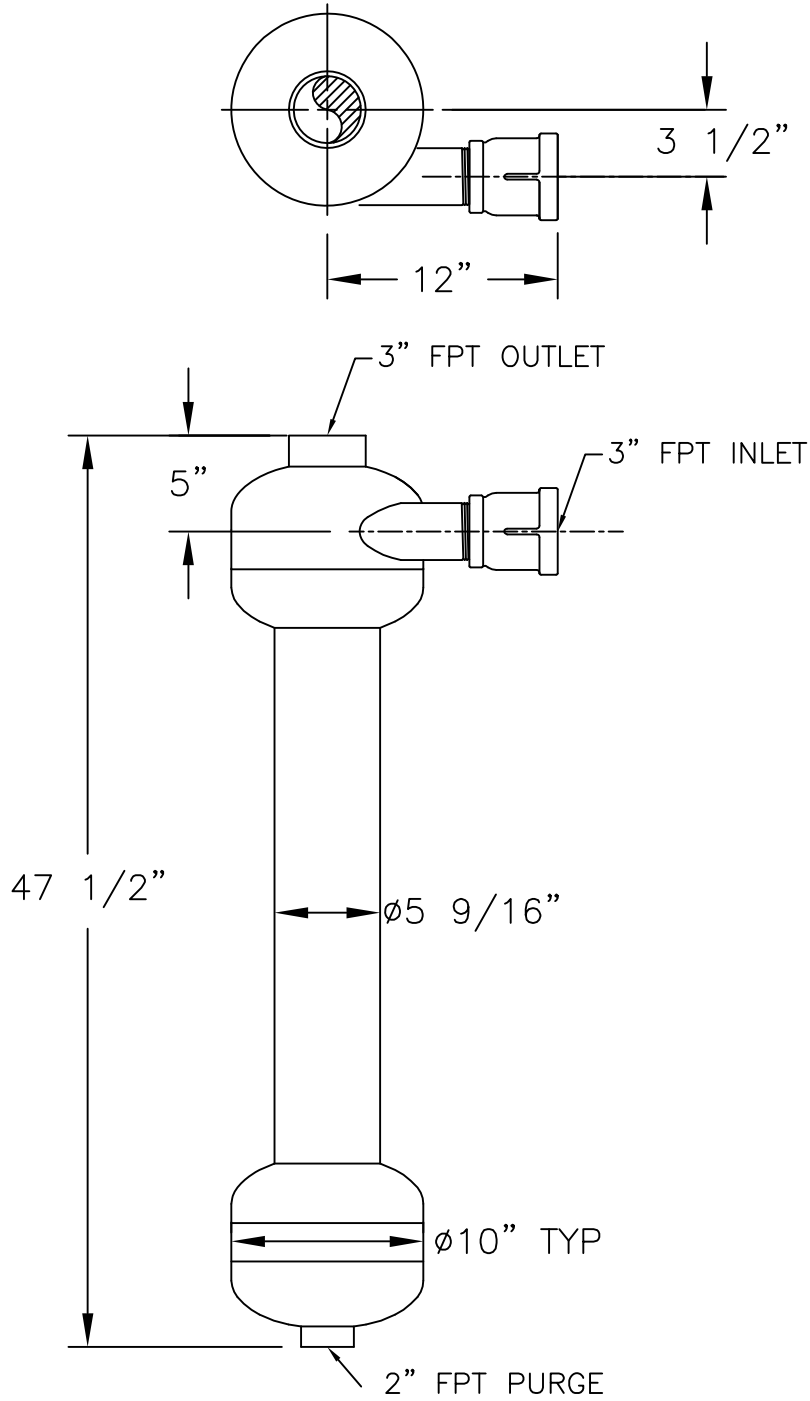


PCS 30V SEPARATOR



FLOW RATE: 125 – 260 GPM.
 PRESSURE RATING: 150 PSI.
 SHIPPING WEIGHT: 75 LBS.

THIS DRAWING, INCLUDING THE INFORMATION IT CONTAINS, IS CONFIDENTIAL, PROPRIETARY AND IS THE PROPERTY OF YARDNEY WATER MANAGEMENT, INC. IT IS SUBMITTED ONLY IN CONNECTION WITH THE TRANSACTION TO WHICH IT PERTAINS AND MUST NOT BE USED IN ANY OTHER MANNER DETRIMENTAL TO THE INTERESTS OF YARDNEY WATER MANAGEMENT. THE DRAWING IS NOT TO BE COPIED AND MUST BE RETURNED UPON REQUEST. COPYRIGHT YARDNEY WATER MANAGEMENT SYSTEMS, 1994				 WATER MANAGEMENT SYSTEMS RIVERSIDE, CALIFORNIA		
		APPROVALS	DATE	<h2 style="margin: 0;">PCS 30V SEPARATOR</h2>		
		DRAWN BY: JMW	11/14/03			
		CHECKED BY:		SIZE	DRAWING NO:	REV:
B	ADDED MISSING DIMENSIONS	DTP	10-12	APP		B
A	FIXED FLOW RATE & WEIGHT	DTP	10-10	APP		
SYM	REVISIONS	BY	DATE	APP	SCALE:	DWG DIR: \SYSTEM\SEPARATOR\PCS SHEET 1 OF 1