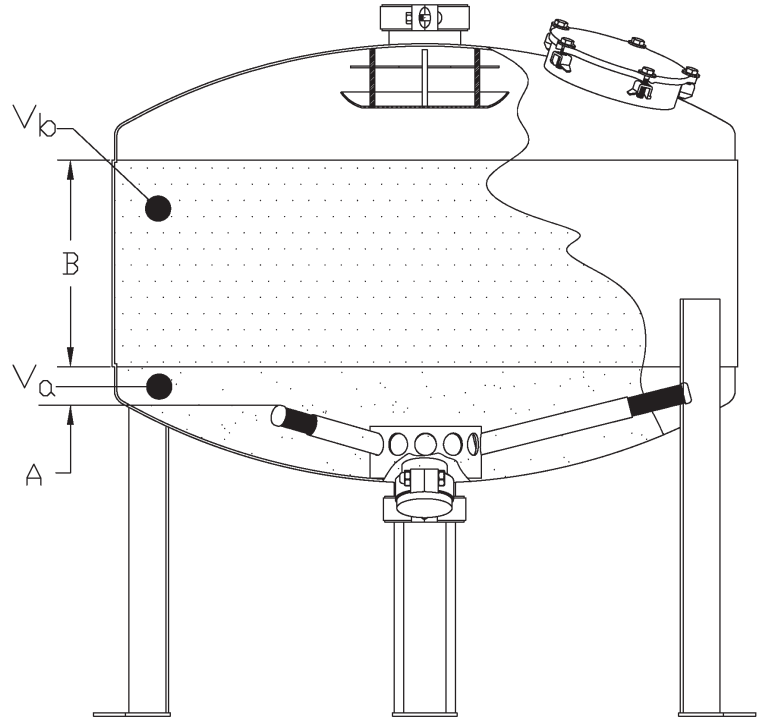


SAND MEDIA TANK

Operational Specifications



Recommended gravel pack and media fill levels

Model	1/2" to 3/4" Rock		Quantity of Bags (7/8 cu. ft. / bag)	Media		Quantity of Bags (1 cu. ft. / bag)
	A	Va (cu. ft.)		B	Vb (cu. ft.)	
1416	2.0"	0.5	0.5	13.0"	1.0	1
1816	2.0"	1.0	1	13.0"	2.0	2
2416	2.0"	1.5	1.5	13.0"	3.5	4
3016	2.0"	2.5	3	13.0"	5.5	6
3616	2.0"	3.5	4	13.0"	7.5	8
4816	2.0"	7.0	8	13.0"	13.0	13

Approximate backwash flow rates

Media Type	Mean Efficient Media Size	Uniformity Coefficient	Approximate backwash flow rate (GPM)					
			1416	1816	2416	3016	3616	4816
G-78 (#11)	0.78 mm	1.54	15	25	50	80	110	200
S-47 (#20)	0.47 mm	1.42	15	25	50	80	110	200

Phone: 951.656.6716
Toll-Free: 800.854.4788
Fax: 951.656.3867
info@yardneyfilters.com

www.yardneyfilters.com