



WATER MANAGEMENT SYSTEMS  
 6666 BOX SPRINGS BLVD.  
 RIVERSIDE, CALIFORNIA 92507-0736  
 PHONE #: (951) 656-6716  
 FAX#: (951) 656-3867

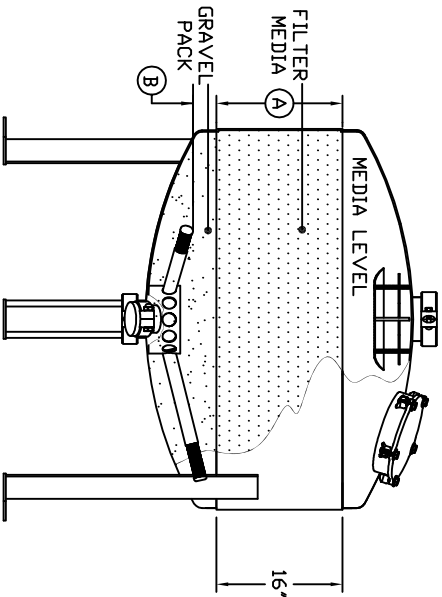
# MEDIA FILTER TANK LOADING TABLE

## SAND-MEDIA, AGRICULTURAL

### WEDGEWIRE UNDERDRAIN SYSTEMS

TANK SIZE	1/2" TO 3/4" GRAVEL PACK			FILTRATION MEDIA		
	(B) (INCHES)	CUBIC FEET	BAGS **	(A) (INCHES)	CUBIC FEET	BAGS *
Ø14 X 16"	2	0.5	1	13	1.0	1
Ø18 X 16"	2	1.0	2	13	2.0	2
Ø24 X 16"	2	1.5	2	13	3.5	4
Ø30 X 16"	2	2.5	4	13	5.5	6
Ø36 X 16"	2	4.0	5	13	7.5	8
Ø48 X 16"	2	7.0	10	13	13.0	13

\* 1 CUBIC FOOT PER BAG, AND EACH BAG WEIGHS 100 lbs.  
 \*\* 3/4 CUBIC FOOT PER BAG, AND EACH BAG WEIGHS 75 lbs.



THIS DRAWING, INCLUDING THE INFORMATION IT CONTAINS, IS CONFIDENTIAL, PROPRIETARY AND IS THE PROPERTY OF YARDNEY WATER MANAGEMENT, INC. IT IS SUBMITTED ONLY IN CONNECTION WITH THE TRANSACTION TO WHICH IT PERTAINS AND MUST NOT BE USED IN ANY OTHER MANNER DETRIMENTAL TO THE INTERESTS OF YARDNEY WATER MANAGEMENT. THE DRAWING IS NOT TO BE COPIED AND MUST BE RETURNED UPON REQUEST. COPYRIGHT YARDNEY WATER MANAGEMENT SYSTEMS, 1994



NOTE: ALL DIMENSIONS AND VOLUMES ARE APPROXIMATE.

SYN	REVISIONS	BY	DATE	APP	APPROVALS	DATE
					DRAWN BY: DTD	7-25-12
					CHECKED BY:	
					APPROVED BY:	
					SCALE: NONE	ACAD: STD/FILT/TABLE CHART
					SIZE: D	DRAWING NO: FILT/TABLE
					REV: -	SHEET 1 OF 1