



WATER MANAGEMENT SYSTEMS
 6666 BOX SPRINGS BLVD.
 RIVERSIDE, CALIFORNIA 92507-0736
 PHONE #: (951) 656-6716
 FAX#: (951) 656-3867

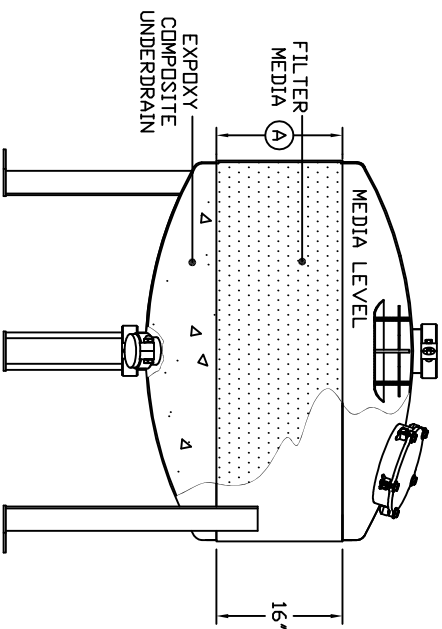
MEDIA FILTER TANK LOADING TABLE

SAND-MEDIA, EPOXY COMPOSITE - OBSOLETE

EPOXY COMPOSITE UNDERDRAIN SYSTEMS

TANK SIZE	FILTRATION MEDIA		
	(A) (INCHES)	CUBIC FEET	BAGS *
Ø14 X 16"	13	1.0	1
Ø18 X 16"	13	2.0	2
Ø24 X 16"	13	3.5	4
Ø30 X 16"	13	5.5	6
Ø36 X 16"	13	7.5	8
Ø48 X 16"	13	13.0	13

* 1 CUBIC FOOT PER BAG, AND EACH BAG WEIGHS 100 lbs.



THIS DRAWING, INCLUDING THE INFORMATION IT CONTAINS, IS CONFIDENTIAL, PROPRIETARY AND IS THE PROPERTY OF YARNEY WATER MANAGEMENT, INC. IT IS SUBMITTED ONLY IN CONNECTION WITH THE TRANSACTION TO WHICH IT PERTAINS AND MUST NOT BE USED IN ANY OTHER MANNER DETRIMENTAL TO THE INTERESTS OF YARNEY WATER MANAGEMENT. THE DRAWING IS NOT TO BE COPIED AND MUST BE RETURNED UPON REQUEST. COPYRIGHT YARNEY WATER MANAGEMENT SYSTEMS, 1994

SYN	REVISIONS	BY	DATE	APP

APPROVALS

DRAWN BY: DTD	DATE: 7-25-12
CHECKED BY:	
APPROVED BY:	
ARCHITECTURAL:	NONE
SCALE: NONE	ACAD. STUDY TABLE CHART

Yardney
 WATER MANAGEMENT SYSTEMS
 RIVERSIDE, CALIFORNIA

FILTER TANK LOADING TABLE
 SAND-MEDIA, EPOXY COMPOSITE

SIZE: DRAWING NO. **FILTABLE**

SCALE: NONE ACAD. STUDY TABLE CHART

SHEET 1 OF 1

NOTE: ALL DIMENSIONS AND VOLUMES ARE APPROXIMATE.