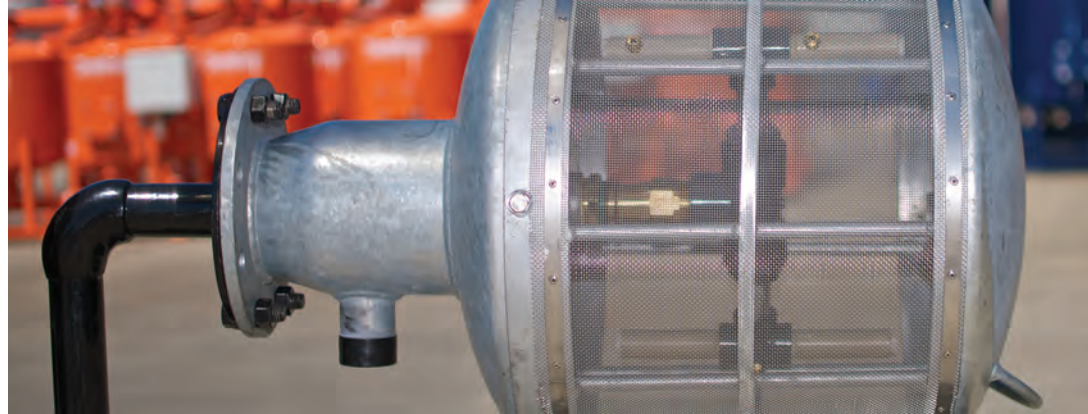


Whether pumping water from a cooling tower basin, pit or sump, you need the water to be free of trash and debris that could block water flow and damage the pump or clog water-distribution equipment. The Yardney Pump Suction Screen is designed to filter these larger contaminants on the intake piping to allow other equipment such as pumps or primary filtration units to run smoothly without clogging. Our self-cleaning screen is designed to continuously remove trash and debris from water sources saving you time, fuel and maintenance costs. Pump suction screens can be used for industrial centrifugal or turbine pump applications, cooling tower basins and more.



### Aplicaciones

- Prevention of large foreign bodies of debris from entering pump intake piping
- Intake pipe filter for storm water runoff, industrial process water, incoming plant water, waste water clean-up, industrial water for plant reuse
- Can be used with virtually any water source to target the removal of larger debris—organic or inorganic
- 35–65 psi standard operating pressure
- Flow ranges from 325 gpm

### Ventajas

- Precision internal spray bars continually rotate and blast debris away from the screen
- No exterior moving parts that can foul and cause water blockage issues
- Housing utilizes a removable and replaceable stainless steel screen drum saving on repair costs
- Galvanized pump suction screen body
- Heavy gauge stainless steel 12 mesh screen for increased pump efficiency
- Can be installed at any angle without the operation being affected
- Meets many state and federal standards requiring pre-screening of pump intakes
- Standard with a flanged connection
- Improves primary filter downstream of pump by reducing the contaminant and loading concentration
- Hecho en los EE. UU.

# Mallas autolimpiantes para succión de bombas

## Especificaciones

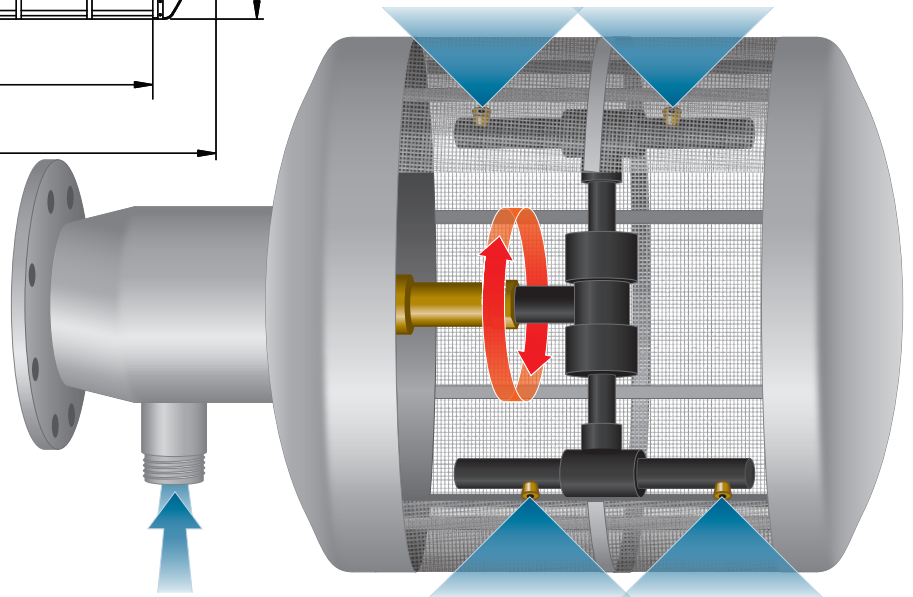
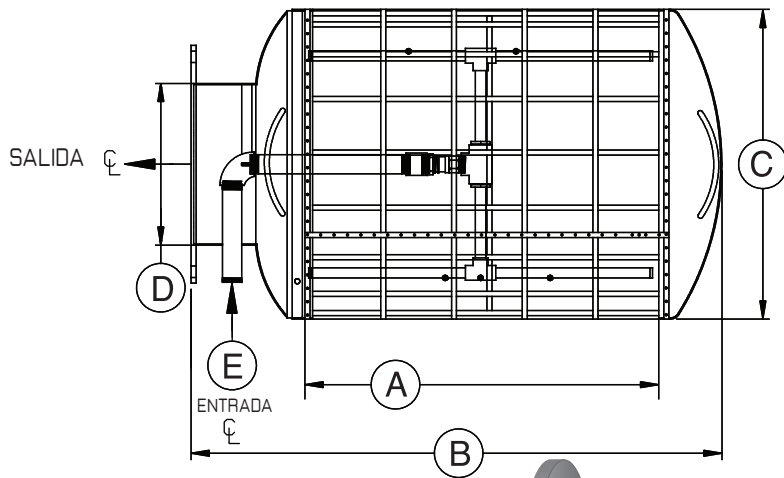
### El ensamblado estándar incluye:

- Armazón de acero al carbón galvanizado
- Malla de acero inoxidable
- Barras porta boquillas en su interior que rocían agua y remueven los contaminantes
- Filtro en Y—esencial en la línea de suministro de agua de limpieza

### Opciones disponibles:

- Balero sellado
- Armazón de acero inoxidable

ESPECIFICACIONES   MALLAS AUTOLIMPIANTES PARA SUCCIÓN DE BOMBAS   12 MESH										
Modelo	Rango de flujo		Rango de presión de operación estándar (psi)	Rango de presión de cierre (psi)	Flujo de las boquillas (gpm)	A	B	C	D	E
	gpm	m <sup>3</sup> /hr								
CW 100	200	45	40 - 60	N/A	12	9"	19 1/2"	12"	3"	1 1/2"
CW 200	325	74	40 - 60	40 - 100	20	11"	25"	16"	4"	1 1/2"
CW 400	550	125	40 - 60	40 - 100	20	15"	28 3/4"	16"	6"	1 1/2"
CW 600	750	170	40 - 60	40 - 100	20	16"	32 1/2"	24"	8"	1 1/2"
CW 800	950	216	40 - 60	40 - 100	20	18"	34 1/2"	24"	10"	1 1/2"
CW 1000	1350	307	40 - 60	40 - 100	28	23"	39 1/2"	24"	10"	1 1/2"
CW 1400	1550	352	40 - 60	40 - 100	28	26"	42 1/2"	24"	12"	1 1/2"
CW 1700	1800	409	40 - 60	40 - 100	28	28"	44 1/2"	26"	12"	1 1/2"
CW 2000	2100	477	40 - 60	40 - 100	36	32"	48 1/2"	26"	14"	1 1/2"
CW 2400	2600	591	40 - 65	40 - 100	36	35"	52 1/2"	30"	16"	1 1/2"
CW 3000	3000	682	40 - 65	40 - 100	44	40"	57 1/2"	30"	16"	1 1/2"
CW 3500	3500	795	40 - 65	40 - 100	44	40"	59 1/2"	36"	18"	1 1/2"
CW 4000	4000	909	40 - 65	40 - 100	44	40"	63 1/2"	42"	18"	1 1/2"



Hecho en los EE. UU.

Teléfono: 951.656.6716  
 Llame gratis al: 800.854.4788  
 FAX: 951.656.3867  
 info@yardneyfilters.com



www.yardneyfilters.com