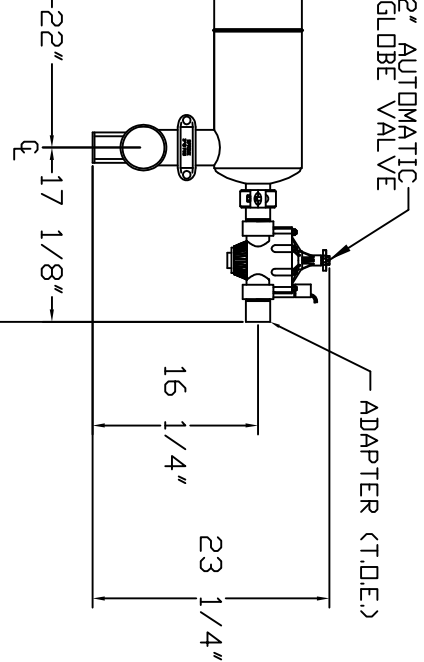
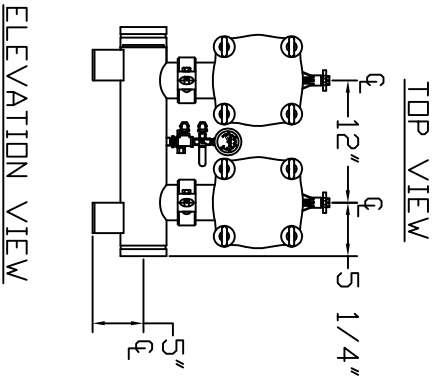
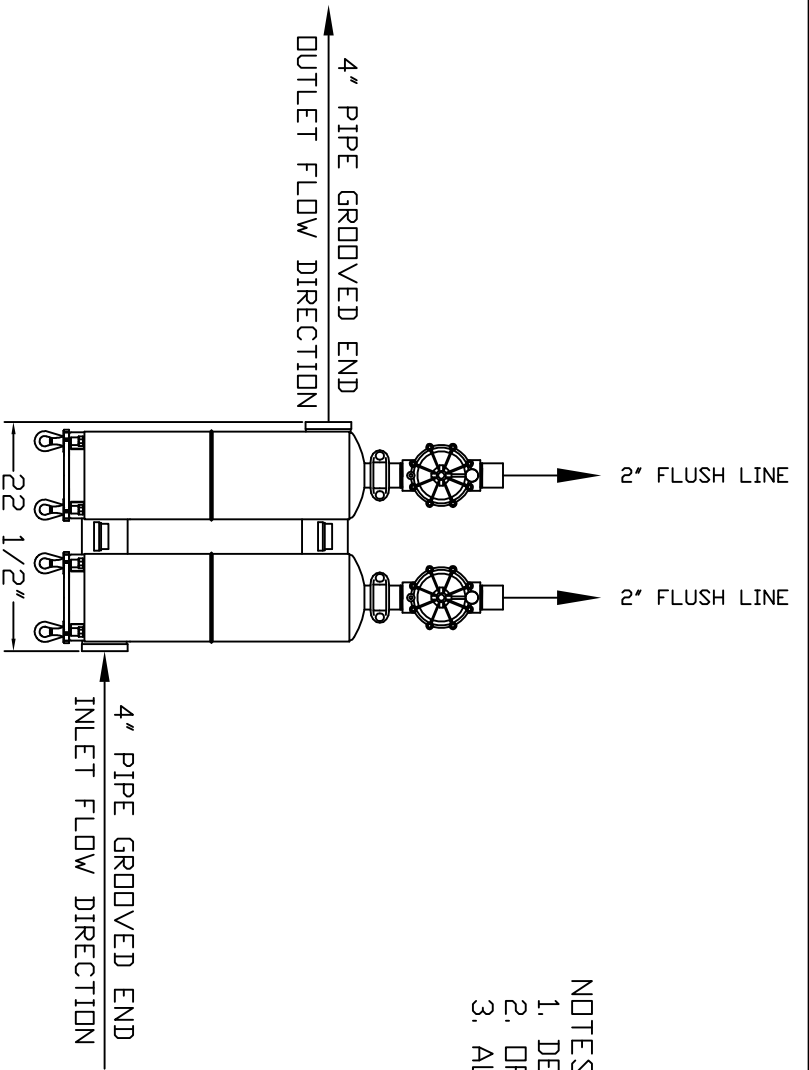


SS6-2A

- NOTES:
1. DESIGN FLOW RATE 400 GPM
 2. OPERATING PRESSURE 125 (MAX)
 3. ALLOW 44" (MIN) FOR CARTRIDGE SERVICE



SIDE VIEW

ELEVATION VIEW

<p>THIS DRAWING, INCLUDING THE INFORMATION IT CONTAINS, IS THE PROPERTY OF YARDNEY INDUSTRIES, INC. IT IS LOANED TO YOU BY YARDNEY INDUSTRIES, INC. FOR YOUR INFORMATION AND USE ONLY. IT IS NOT TO BE REPRODUCED, COPIED, OR TRANSMITTED IN ANY FORM OR BY ANY MEANS, ELECTRONIC OR MECHANICAL, INCLUDING PHOTOCOPYING, RECORDING, OR BY ANY INFORMATION STORAGE AND RETRIEVAL SYSTEM. WITHOUT THE WRITTEN PERMISSION OF YARDNEY INDUSTRIES, INC., THIS DRAWING IS NOT TO BE USED FOR ANY OTHER PROJECT OR SYSTEM.</p>		<p>DATE: 10-12-99 DRAWING NO: 9025000602 LOCATION: SYSTEMS\SS6</p>	
A	RETRAVN HOUSING	DIQ 10-12	REV C
B	UPDATED AUTO GLOBE VALVE	DTG 3-06	
C	ADDED NEW LID	JW 10-99	
NO.	REVISION	BY	DATE

Yardney
INDUSTRIES, INC.

SS6-2A (AUTOMATIC)
THRU-FLUSH-STAINLESS STEEL
SCREEN FILTER