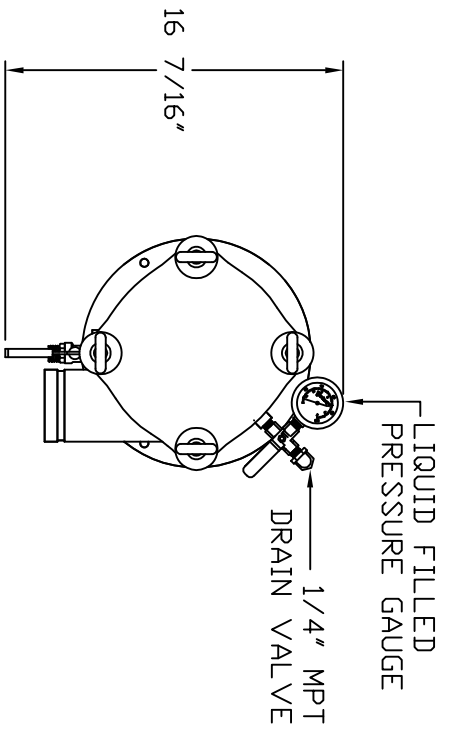
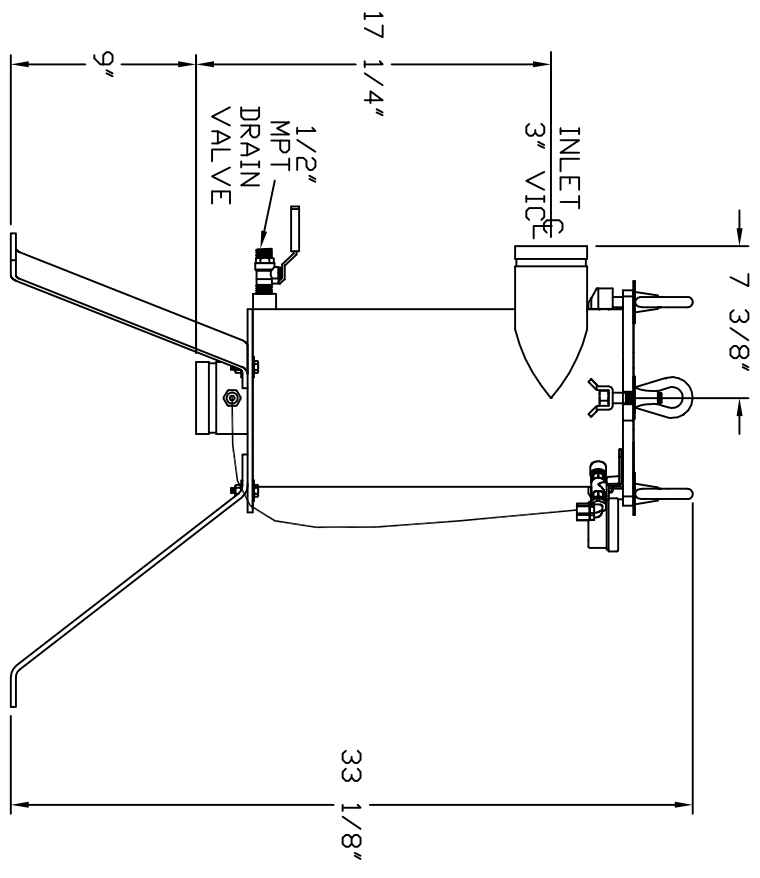
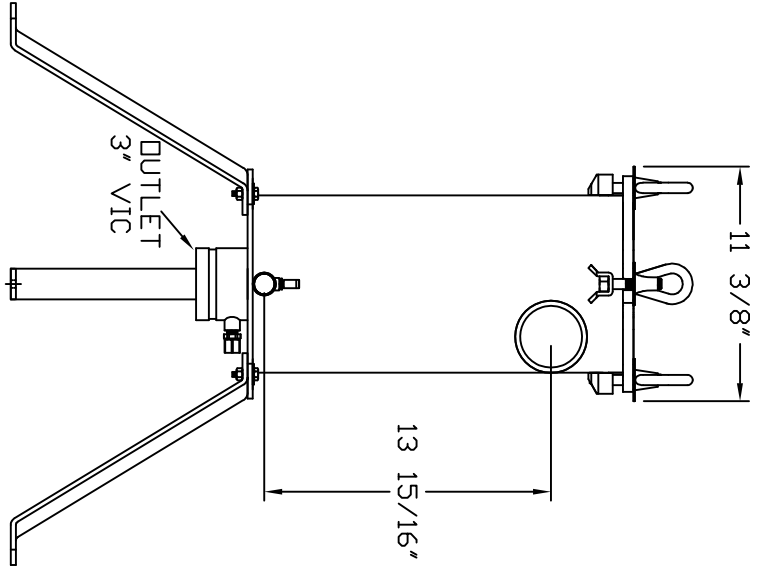
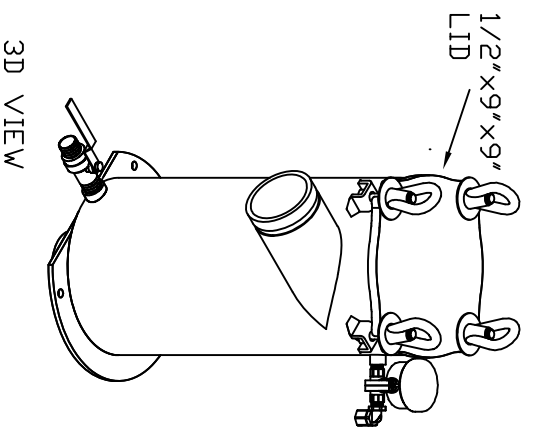


SF 8 BASE UNIT



MODEL	MAX FLOW GPM	MAX PRESSURE PSI
SF 8	200	120

Cartridge Mesh Options:
40, 80, 100, 150, 200



NOTES: (UNLESS OTHERWISE STATED)
 1. EPOXY COATED CARBON STEEL HOUSING.
 2. POLYPROPYLENE SCREEN CARTRIDGE.

THIS DRAWING, INCLUDING THE INFORMATION CONTAINED HEREIN, IS THE PROPERTY OF VARDNEY WATER MANAGEMENT, INC. IT IS SUBMITTED IN CONFIDENCE AND IS NOT TO BE REPRODUCED OR TRANSMITTED IN ANY FORM OR BY ANY MEANS, ELECTRONIC OR MECHANICAL, INCLUDING PHOTOCOPYING, RECORDING, OR BY ANY INFORMATION STORAGE AND RETRIEVAL SYSTEM, WITHOUT THE WRITTEN PERMISSION OF VARDNEY WATER MANAGEMENT, INC.	
C REPLACED 1/2" MPT WITH 3/4" VICE TABS DITD 8-12	DATE
B REPLACED CASE VALVE & EYE NUT DITD 8-10	DATE
A SPIN FLOW SCREEN ASSEMBLY DITD 8-09	DATE
N/A REVISION	BY DATE
Vardney WATER MANAGEMENT, INC. 1-5-08 SPIN FLOW SF 8 SHEET 1 OF 1	