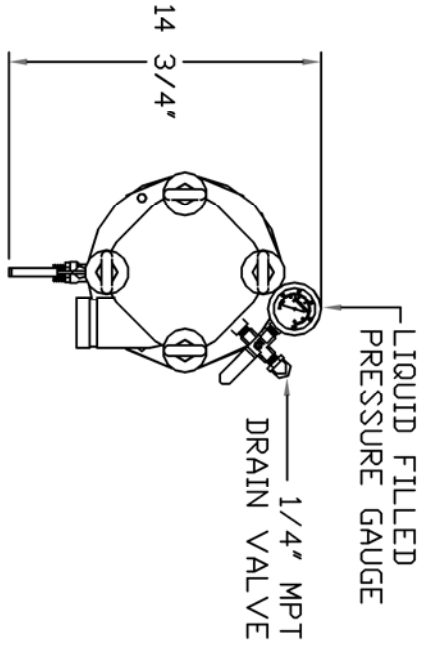
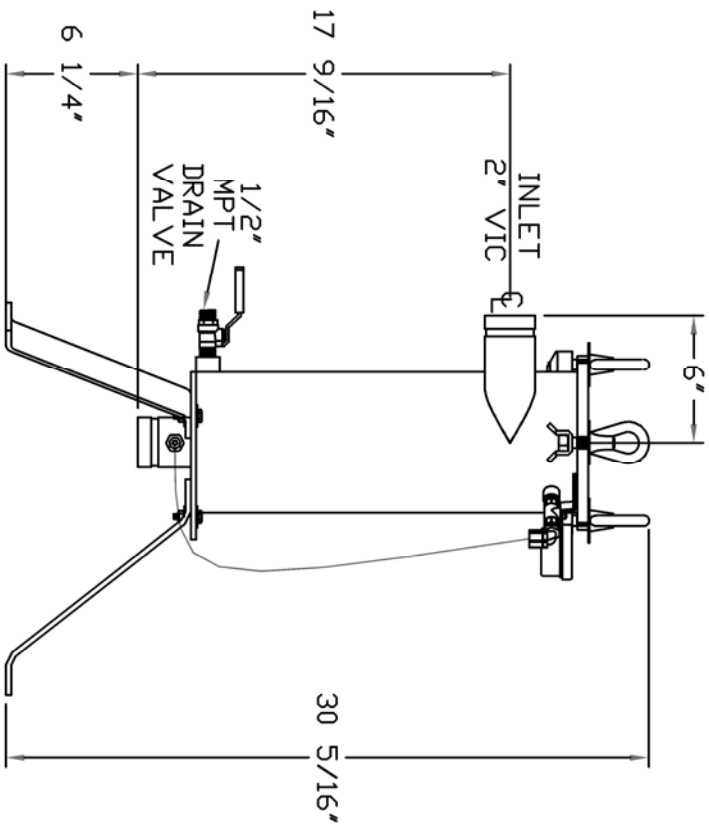
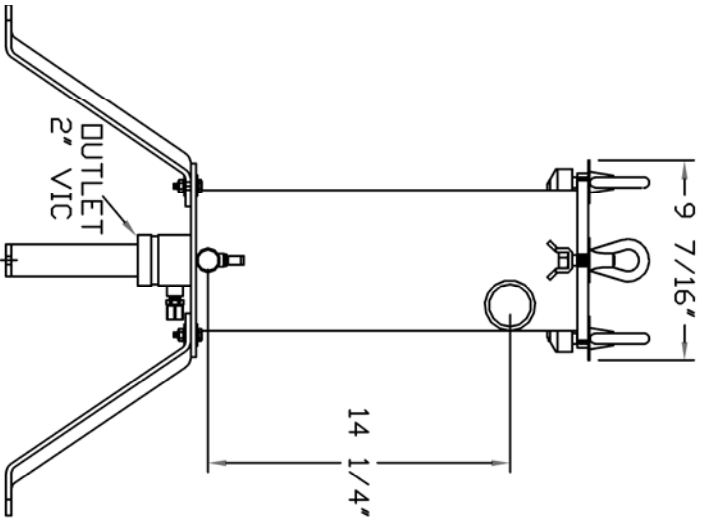
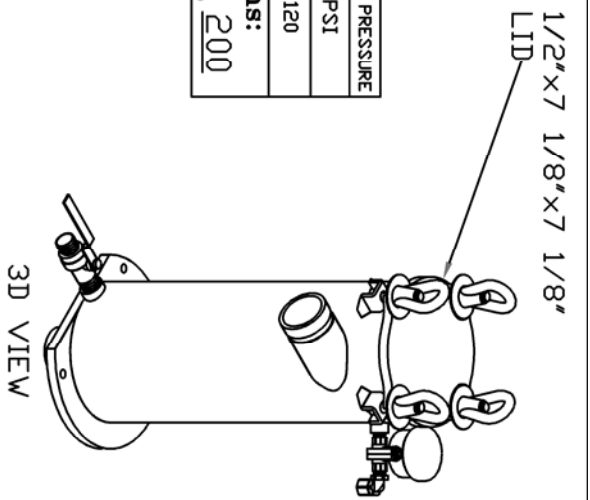


# SF 6 BASE UNIT



MODEL	MAX FLOW GPM	MAX PRESSURE PSI
SF 6	125	120

**Cartridge Mesh Options:**  
40, 80, 100, 150, 200



- NOTES: (UNLESS OTHERWISE STATED)
1. EPOXY COATED CARBON STEEL HOUSING.
  2. POLYPROPYLENE SCREEN CARTRIDGE.

<p>THIS DRAWING INCLUDES THE INFORMATION IT CONTAINS AS SHOWN AND IS NOT TO BE USED FOR CONSTRUCTION OF ANY OTHER EQUIPMENT WITHOUT THE WRITTEN PERMISSION OF THE DRAWING ENGINEER. THE USER ASSUMES ALL LIABILITY FOR ANY DAMAGE OR INJURY TO PERSONS OR PROPERTY ARISING FROM THE USE OF THIS DRAWING.</p>	
<p>DATE: 1-5-08                  DRAWN BY: JTD                  CHECKED BY: JTD                  REVISION: 1</p>	<p>DATE: 1-5-08                  DRAWN BY: JTD                  CHECKED BY: JTD                  REVISION: 1</p>
<p>PROJECT: SPIN FLOW                  SHEET: SF 6</p>	<p>PROJECT: SPIN FLOW                  SHEET: SF 6</p>