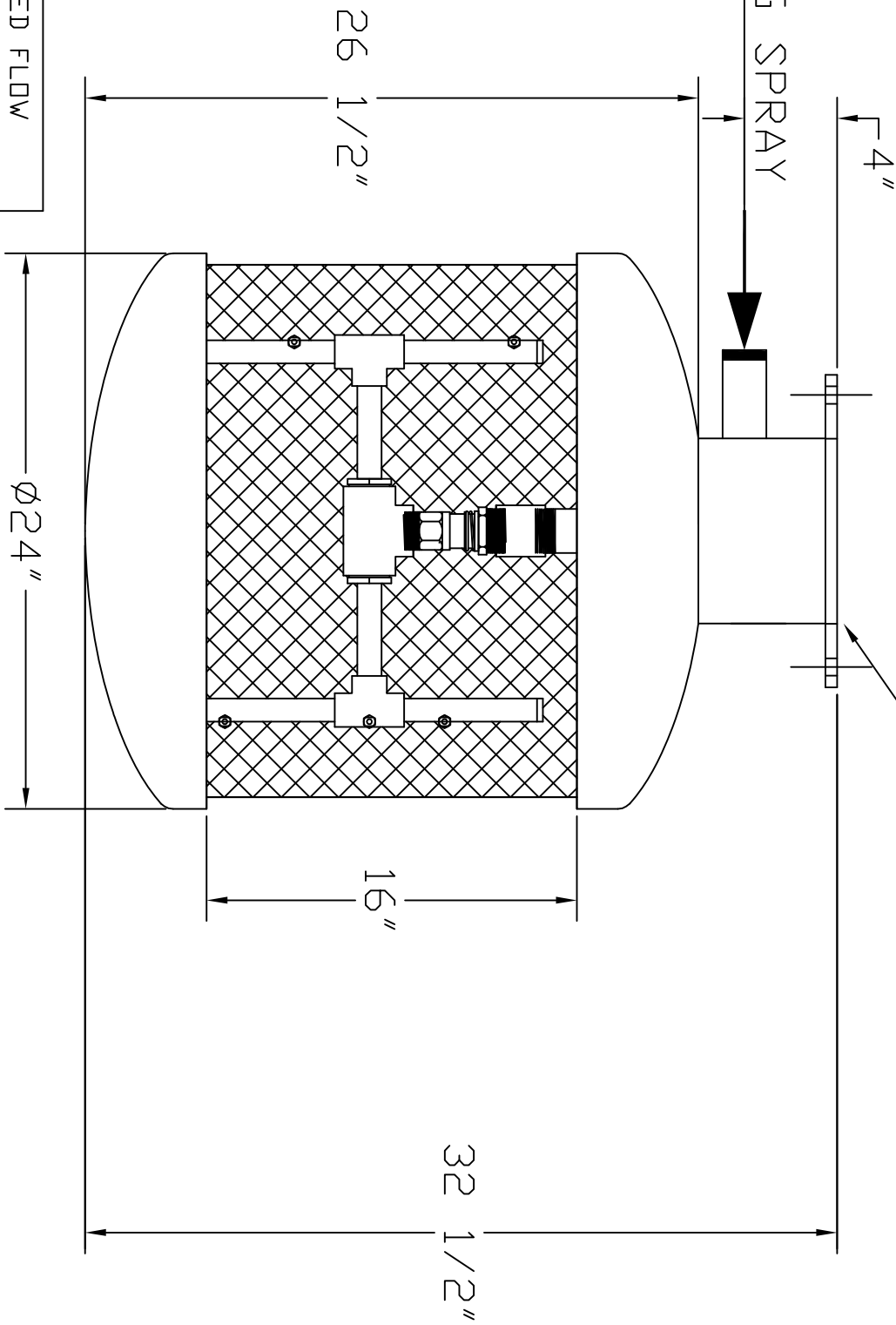


INLET CLEANING SPRAY
1-1/2" MPPT

4"



8" PLATE FLANGE
ANSI 150# DRILLING

MODEL	RATED FLOW	
	12 MESH	30 MESH
CW600	750 GPM	470 GPM
CLEANING SPRAY FLOW		
20 GPM @ 40 PSI MIN, 60 PSI MAX		

THIS BRANDING, INCLUDING THE INFORMATION IT CONTAINS, IS CONFIDENTIAL, PROPRIETARY AND IS THE PROPERTY OF YARDEY WATER MANAGEMENT, INC. IT IS SUBMITTED ONLY IN CONNECTION WITH THE PURCHASE OF THE PRODUCT AND IS NOT TO BE REPRODUCED OR USED IN ANY OTHER MANNER DEEMED DETRIMENTAL TO THE INTERESTS OF YARDEY WATER MANAGEMENT.

D	30 MESH DEBATED/ ADDED SCREEN LENGTH	DD	10-12	APP	APPROVALS DATE	APPROVALS	KAT/12/29
C	2" VENT PURT REMOVED	DD	8-12	APP	DESIGNER	DESIGNER	KAT/12/29
B	VAS 100 PSI MAX	DD	10-10	APP	APPROVED BY	APPROVED BY	KAT/12/29
A	REBRAND TO SCALE	DD	8-04	APP	REBRAND	REBRAND	KAT/12/29
SYM	REVISIONS	BY	DATE	APP	USED BY	USED BY	KAT/12/29

Yardney
WATER MANAGEMENT SYSTEMS
RIVERSIDE, CALIFORNIA

CLEARWATER SELF-CLEANING
SUCTION SCREEN

SIZE BRANDING NO. CW600

REV. D

SHEET 1 OF 1