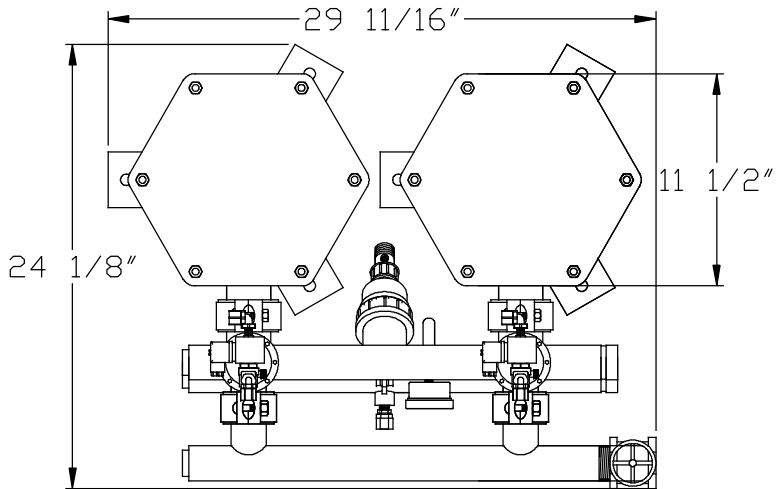


MINI MEDIA SP1016-2 AUTO CARBON STEEL

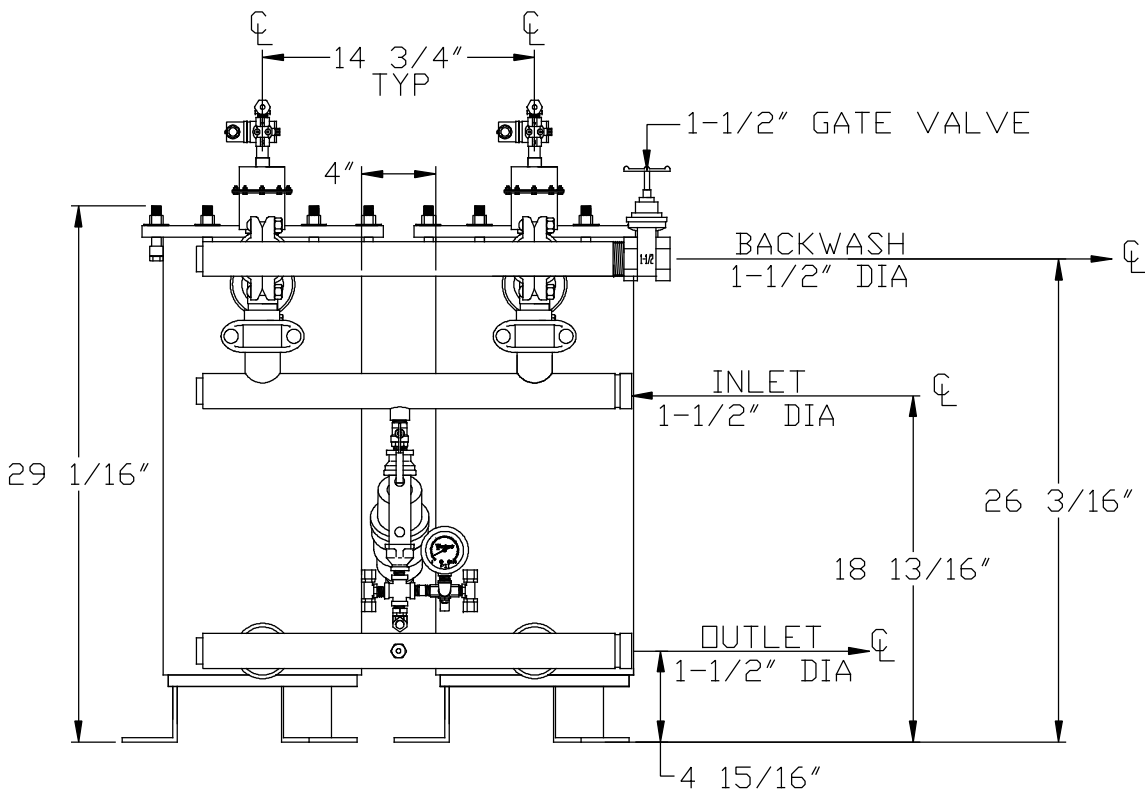
NOTES:

1. FLOW RATE DESIGN:
 - A. DRIP FLOW RANGE: 15-24 GPM,
 - B. SPRINKLER FLOW RANGE: 25-30 GPM.
2. MAXIMUM WORKING PRESSURE: 80 PSI.
3. MEDIA REQUIREMENT PER TANK:
 - A. 1/2"x3/4" CRUSHED ROCK: 0.3 CU. FT. .
 - B. 0.47mm CRUSHED SILICA SAND: 1.5 CU. FT. .
4. WEIGHTS: (APPROX.)

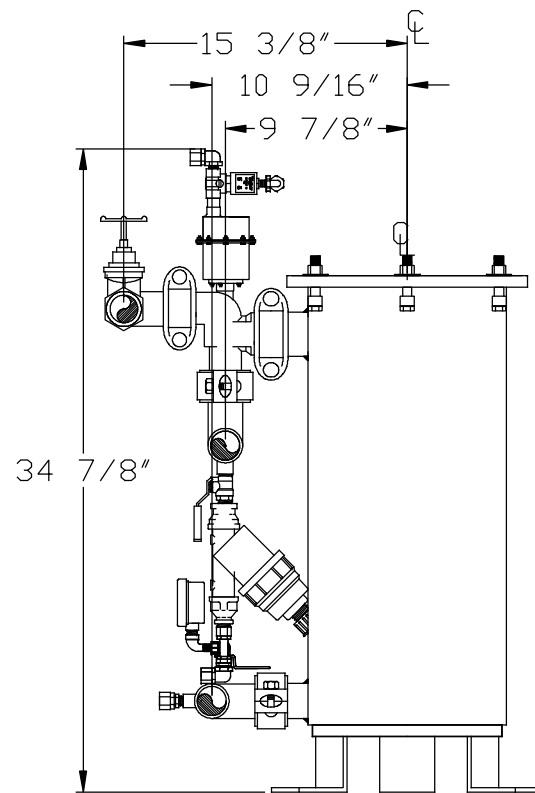
EQUIPMENT:	TBD LBS (LESS MEDIA)
MEDIA:	TBD LBS
OPERATION:	TBD LBS



TOP VIEW



FRONT VIEW



SIDE VIEW

THIS DRAWING, INCLUDING THE INFORMATION IT CONTAINS, IS CONFIDENTIAL, PROPRIETARY AND IS THE PROPERTY OF YARNEY WATER MANAGEMENT, INC. IT IS SUBMITTED ONLY IN CONNECTION WITH THE TRANSACTION TO WHICH IT PERTAINS AND MUST NOT BE USED IN ANY OTHER MANNER DETRIMENTAL TO THE INTERESTS OF YARNEY WATER MANAGEMENT. THE DRAWING IS NOT TO BE COPIED AND MUST BE RETURNED UPON REQUEST. COPYRIGHT YARNEY WATER MANAGEMENT SYSTEMS, 1993		APPROVALS DATE DRAWN BY: DTJ 4-12	
		APPROVED BY: _____ SIZE: D DRAWING NO: 9000101612 REV: -	
SYM REVISIONS BY DATE APP		SCALE: 1 OF 1 JOB NO: SYSTEMS/MINI-MEDIA SHEET	