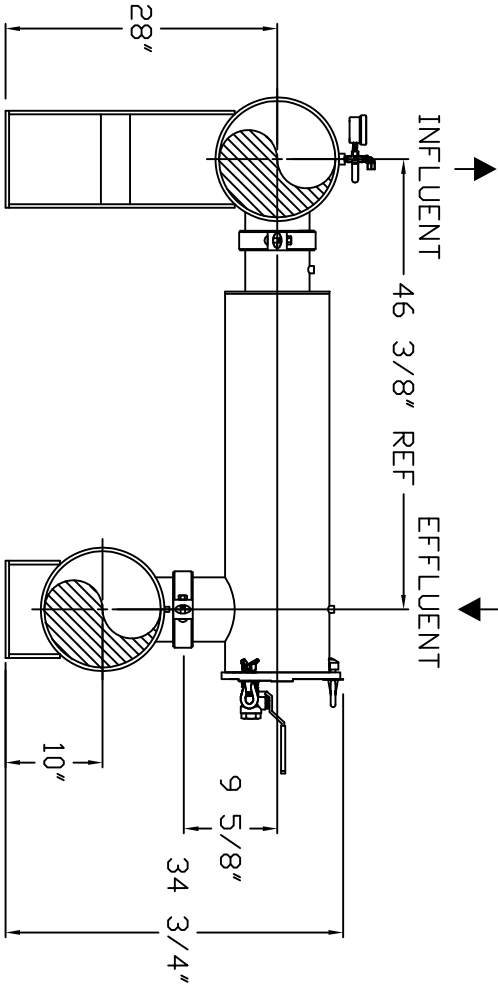


MAXI-CLEAN MCS 6-4

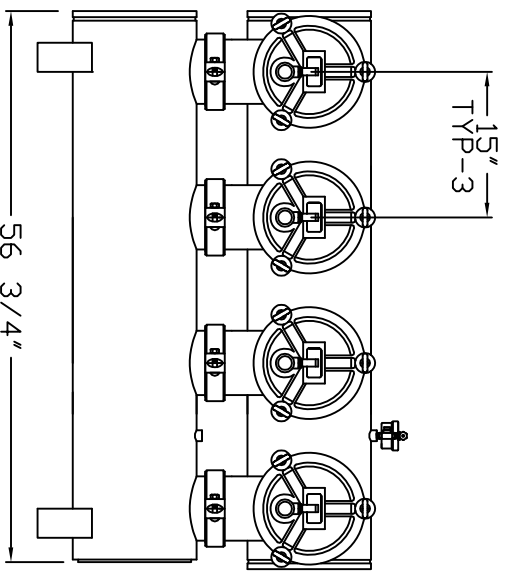
NOTES:

1. DESIGN FLOW RATE: 3600 GPM (MAX.),
2. OPERATING PRESSURE: 100 PSI (MAX.)



INFLUENT
12" DIA.

EFFLUENT
12" DIA.



DO NOT SCALE THIS DRAWING

Yardney
VALVE AND FILTER SYSTEMS

MAXI-CLEAN
MCS 6-4

9075006041

REV	DATE	BY	DESCRIPTION
1	01/10/01	JM	INITIAL DESIGN
2	02/10/01	JM	REVISED TO SHOW 15" CARTRIDGE SPACING
3	03/10/01	JM	REVISED TO SHOW 12" DIA. INLET AND 10" DIA. OUTLET
4	04/10/01	JM	REVISED TO SHOW 15" CARTRIDGE SPACING
5	05/10/01	JM	REVISED TO SHOW 12" DIA. INLET AND 10" DIA. OUTLET
6	06/10/01	JM	REVISED TO SHOW 15" CARTRIDGE SPACING
7	07/10/01	JM	REVISED TO SHOW 12" DIA. INLET AND 10" DIA. OUTLET
8	08/10/01	JM	REVISED TO SHOW 15" CARTRIDGE SPACING
9	09/10/01	JM	REVISED TO SHOW 12" DIA. INLET AND 10" DIA. OUTLET
10	10/10/01	JM	REVISED TO SHOW 15" CARTRIDGE SPACING
11	11/10/01	JM	REVISED TO SHOW 12" DIA. INLET AND 10" DIA. OUTLET
12	12/10/01	JM	REVISED TO SHOW 15" CARTRIDGE SPACING
13	01/02/02	JM	REVISED TO SHOW 12" DIA. INLET AND 10" DIA. OUTLET
14	02/02/02	JM	REVISED TO SHOW 15" CARTRIDGE SPACING
15	03/02/02	JM	REVISED TO SHOW 12" DIA. INLET AND 10" DIA. OUTLET
16	04/02/02	JM	REVISED TO SHOW 15" CARTRIDGE SPACING
17	05/02/02	JM	REVISED TO SHOW 12" DIA. INLET AND 10" DIA. OUTLET
18	06/02/02	JM	REVISED TO SHOW 15" CARTRIDGE SPACING
19	07/02/02	JM	REVISED TO SHOW 12" DIA. INLET AND 10" DIA. OUTLET
20	08/02/02	JM	REVISED TO SHOW 15" CARTRIDGE SPACING
21	09/02/02	JM	REVISED TO SHOW 12" DIA. INLET AND 10" DIA. OUTLET
22	10/02/02	JM	REVISED TO SHOW 15" CARTRIDGE SPACING
23	11/02/02	JM	REVISED TO SHOW 12" DIA. INLET AND 10" DIA. OUTLET
24	12/02/02	JM	REVISED TO SHOW 15" CARTRIDGE SPACING
25	01/03/03	JM	REVISED TO SHOW 12" DIA. INLET AND 10" DIA. OUTLET
26	02/03/03	JM	REVISED TO SHOW 15" CARTRIDGE SPACING
27	03/03/03	JM	REVISED TO SHOW 12" DIA. INLET AND 10" DIA. OUTLET
28	04/03/03	JM	REVISED TO SHOW 15" CARTRIDGE SPACING
29	05/03/03	JM	REVISED TO SHOW 12" DIA. INLET AND 10" DIA. OUTLET
30	06/03/03	JM	REVISED TO SHOW 15" CARTRIDGE SPACING
31	07/03/03	JM	REVISED TO SHOW 12" DIA. INLET AND 10" DIA. OUTLET
32	08/03/03	JM	REVISED TO SHOW 15" CARTRIDGE SPACING
33	09/03/03	JM	REVISED TO SHOW 12" DIA. INLET AND 10" DIA. OUTLET
34	10/03/03	JM	REVISED TO SHOW 15" CARTRIDGE SPACING
35	11/03/03	JM	REVISED TO SHOW 12" DIA. INLET AND 10" DIA. OUTLET
36	12/03/03	JM	REVISED TO SHOW 15" CARTRIDGE SPACING
37	01/04/04	JM	REVISED TO SHOW 12" DIA. INLET AND 10" DIA. OUTLET
38	02/04/04	JM	REVISED TO SHOW 15" CARTRIDGE SPACING
39	03/04/04	JM	REVISED TO SHOW 12" DIA. INLET AND 10" DIA. OUTLET
40	04/04/04	JM	REVISED TO SHOW 15" CARTRIDGE SPACING
41	05/04/04	JM	REVISED TO SHOW 12" DIA. INLET AND 10" DIA. OUTLET
42	06/04/04	JM	REVISED TO SHOW 15" CARTRIDGE SPACING
43	07/04/04	JM	REVISED TO SHOW 12" DIA. INLET AND 10" DIA. OUTLET
44	08/04/04	JM	REVISED TO SHOW 15" CARTRIDGE SPACING
45	09/04/04	JM	REVISED TO SHOW 12" DIA. INLET AND 10" DIA. OUTLET
46	10/04/04	JM	REVISED TO SHOW 15" CARTRIDGE SPACING
47	11/04/04	JM	REVISED TO SHOW 12" DIA. INLET AND 10" DIA. OUTLET
48	12/04/04	JM	REVISED TO SHOW 15" CARTRIDGE SPACING
49	01/05/05	JM	REVISED TO SHOW 12" DIA. INLET AND 10" DIA. OUTLET
50	02/05/05	JM	REVISED TO SHOW 15" CARTRIDGE SPACING
51	03/05/05	JM	REVISED TO SHOW 12" DIA. INLET AND 10" DIA. OUTLET
52	04/05/05	JM	REVISED TO SHOW 15" CARTRIDGE SPACING
53	05/05/05	JM	REVISED TO SHOW 12" DIA. INLET AND 10" DIA. OUTLET
54	06/05/05	JM	REVISED TO SHOW 15" CARTRIDGE SPACING
55	07/05/05	JM	REVISED TO SHOW 12" DIA. INLET AND 10" DIA. OUTLET
56	08/05/05	JM	REVISED TO SHOW 15" CARTRIDGE SPACING
57	09/05/05	JM	REVISED TO SHOW 12" DIA. INLET AND 10" DIA. OUTLET
58	10/05/05	JM	REVISED TO SHOW 15" CARTRIDGE SPACING
59	11/05/05	JM	REVISED TO SHOW 12" DIA. INLET AND 10" DIA. OUTLET
60	12/05/05	JM	REVISED TO SHOW 15" CARTRIDGE SPACING
61	01/06/06	JM	REVISED TO SHOW 12" DIA. INLET AND 10" DIA. OUTLET
62	02/06/06	JM	REVISED TO SHOW 15" CARTRIDGE SPACING
63	03/06/06	JM	REVISED TO SHOW 12" DIA. INLET AND 10" DIA. OUTLET
64	04/06/06	JM	REVISED TO SHOW 15" CARTRIDGE SPACING
65	05/06/06	JM	REVISED TO SHOW 12" DIA. INLET AND 10" DIA. OUTLET
66	06/06/06	JM	REVISED TO SHOW 15" CARTRIDGE SPACING
67	07/06/06	JM	REVISED TO SHOW 12" DIA. INLET AND 10" DIA. OUTLET
68	08/06/06	JM	REVISED TO SHOW 15" CARTRIDGE SPACING
69	09/06/06	JM	REVISED TO SHOW 12" DIA. INLET AND 10" DIA. OUTLET
70	10/06/06	JM	REVISED TO SHOW 15" CARTRIDGE SPACING
71	11/06/06	JM	REVISED TO SHOW 12" DIA. INLET AND 10" DIA. OUTLET
72	12/06/06	JM	REVISED TO SHOW 15" CARTRIDGE SPACING
73	01/07/07	JM	REVISED TO SHOW 12" DIA. INLET AND 10" DIA. OUTLET
74	02/07/07	JM	REVISED TO SHOW 15" CARTRIDGE SPACING
75	03/07/07	JM	REVISED TO SHOW 12" DIA. INLET AND 10" DIA. OUTLET
76	04/07/07	JM	REVISED TO SHOW 15" CARTRIDGE SPACING
77	05/07/07	JM	REVISED TO SHOW 12" DIA. INLET AND 10" DIA. OUTLET
78	06/07/07	JM	REVISED TO SHOW 15" CARTRIDGE SPACING
79	07/07/07	JM	REVISED TO SHOW 12" DIA. INLET AND 10" DIA. OUTLET
80	08/07/07	JM	REVISED TO SHOW 15" CARTRIDGE SPACING
81	09/07/07	JM	REVISED TO SHOW 12" DIA. INLET AND 10" DIA. OUTLET
82	10/07/07	JM	REVISED TO SHOW 15" CARTRIDGE SPACING
83	11/07/07	JM	REVISED TO SHOW 12" DIA. INLET AND 10" DIA. OUTLET
84	12/07/07	JM	REVISED TO SHOW 15" CARTRIDGE SPACING
85	01/08/08	JM	REVISED TO SHOW 12" DIA. INLET AND 10" DIA. OUTLET
86	02/08/08	JM	REVISED TO SHOW 15" CARTRIDGE SPACING
87	03/08/08	JM	REVISED TO SHOW 12" DIA. INLET AND 10" DIA. OUTLET
88	04/08/08	JM	REVISED TO SHOW 15" CARTRIDGE SPACING
89	05/08/08	JM	REVISED TO SHOW 12" DIA. INLET AND 10" DIA. OUTLET
90	06/08/08	JM	REVISED TO SHOW 15" CARTRIDGE SPACING
91	07/08/08	JM	REVISED TO SHOW 12" DIA. INLET AND 10" DIA. OUTLET
92	08/08/08	JM	REVISED TO SHOW 15" CARTRIDGE SPACING
93	09/08/08	JM	REVISED TO SHOW 12" DIA. INLET AND 10" DIA. OUTLET
94	10/08/08	JM	REVISED TO SHOW 15" CARTRIDGE SPACING
95	11/08/08	JM	REVISED TO SHOW 12" DIA. INLET AND 10" DIA. OUTLET
96	12/08/08	JM	REVISED TO SHOW 15" CARTRIDGE SPACING
97	01/09/09	JM	REVISED TO SHOW 12" DIA. INLET AND 10" DIA. OUTLET
98	02/09/09	JM	REVISED TO SHOW 15" CARTRIDGE SPACING
99	03/09/09	JM	REVISED TO SHOW 12" DIA. INLET AND 10" DIA. OUTLET
100	04/09/09	JM	REVISED TO SHOW 15" CARTRIDGE SPACING