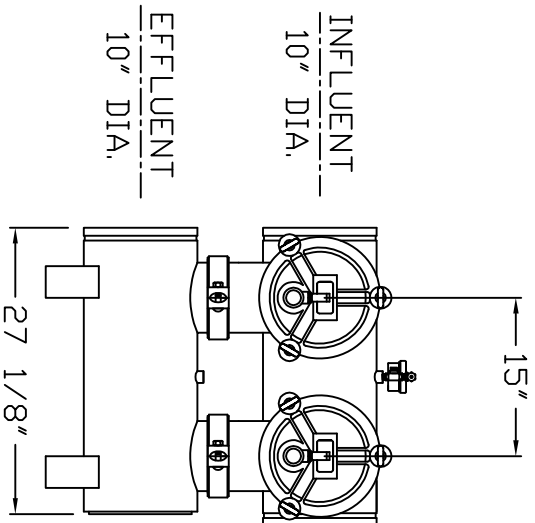
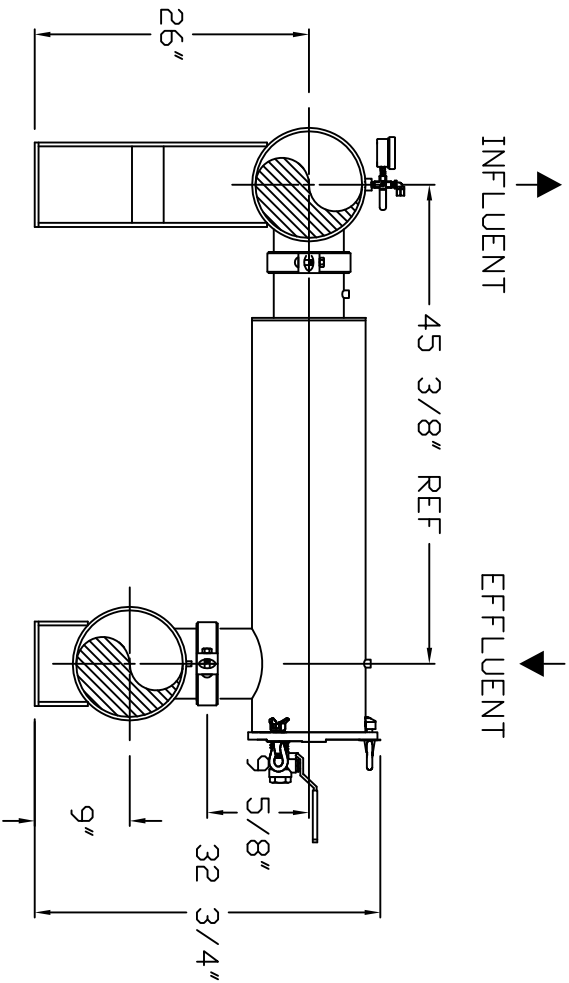
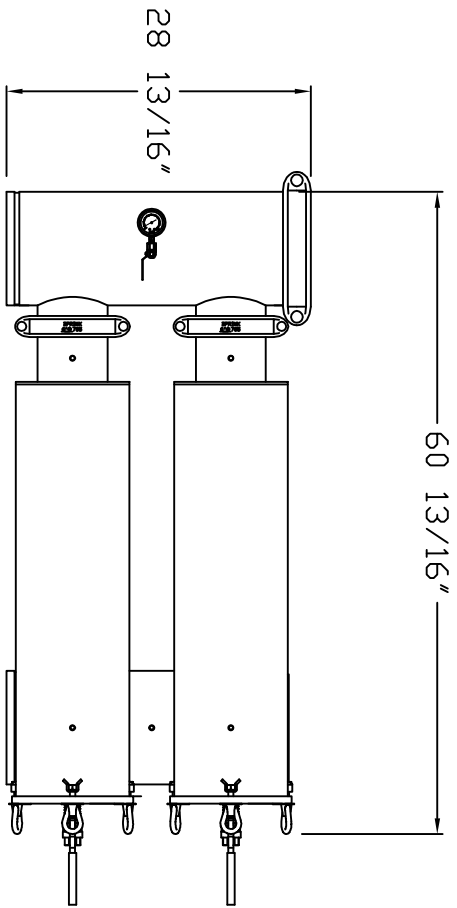



MAXI-CLEAN MCS 6-2

NOTES:

1. DESIGN FLOW RATE: 1800 GPM (MAX.).
2. OPERATING PRESSURE: 100 PSI (MAX.)



<p>THIS DRAWING, INCLUDING THE INFORMATION IT CONTAINS, IS THE PROPERTY OF YARDNEY INDUSTRIES, INC. IT IS SUBMITTED ONLY IN CONNECTION WITH THE SPECIFIC PROJECT AND IS NOT TO BE REPRODUCED OR USED IN ANY OTHER MANNER WITHOUT THE WRITTEN PERMISSION OF YARDNEY INDUSTRIES, INC. THE INFORMATION IS NOT TO BE COPIED OR REPRODUCED IN ANY MANNER WITHOUT THE WRITTEN PERMISSION OF YARDNEY INDUSTRIES, INC.</p>		<p>APPROVALS DATE</p> <p>DESIGNED BY: JIC/2-24</p> <p>CHECKED BY: JIC/2-24</p> <p>DATE: 2-20-09</p>	
A	CHANGED PORT LOCATION/DIR.	BY: DATE	APPROVED BY: DATE
B	INFLUENT ONLY PIPE END CHG TO VERTICAL	BY: DATE	APPROVED BY: DATE
C	REPLACED TUBING 3/4" W/1/2" WELD TABS	BY: DATE	APPROVED BY: DATE
D	SMOON W/CLAMP	BY: DATE	APPROVED BY: DATE
<p>REVISIONS</p>		<p>DATE</p>	
<p>BY: DATE</p>		<p>APPROVED BY: DATE</p>	


  
 30 NOT SCALE DIMS

**MAXI-CLEAN**  
**MCS 6-2**

SITE: BRAYLIND MD  
 NO: 9075006021  
 DATE: 2-20-09  
 SHEET 1 OF 1