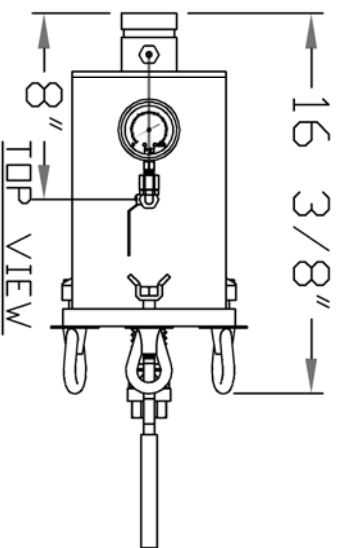
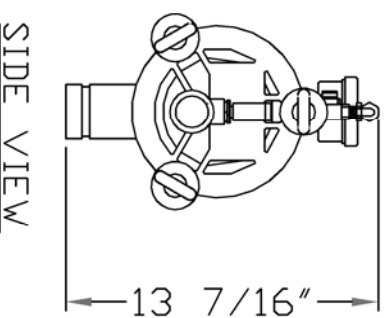
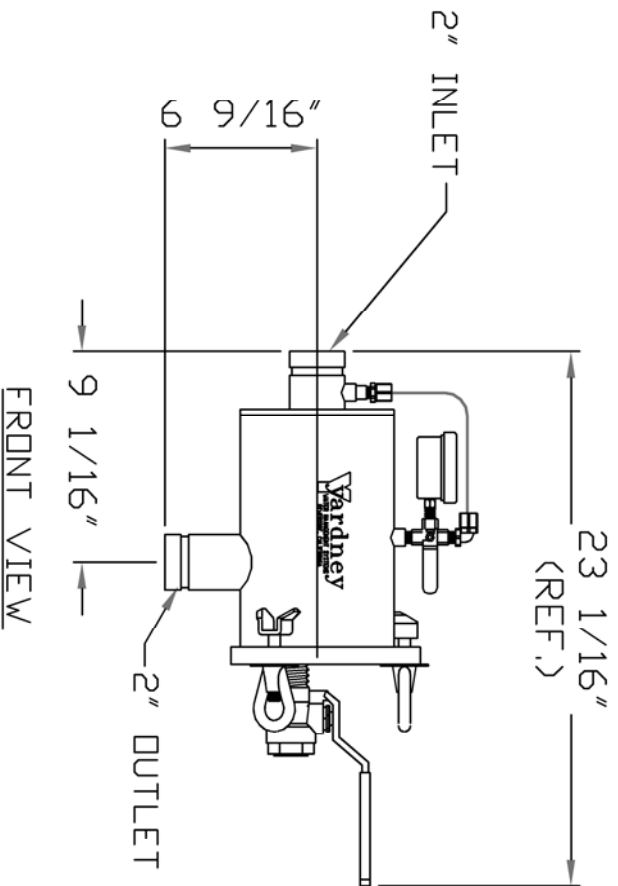


MCS2-V1 MAXI-CLEAN SCREEN FILTER



MODEL	MAX FLOW GPM	MAX PRESSURE PSI
MCS 2	110	120

Cartridge Mesh Options:
40, 80, 100, 150, 200



THIS DRAWING, INCLUDING THE INFORMATION IT CONTAINS, IS CONFIDENTIAL, PROPRIETARY, AND IS THE PROPERTY OF YARDNEY WATER MANAGEMENT, INC. IT IS SUBMITTED ONLY IN CONNECTION WITH THE PROPOSED PROJECT AND IS NOT TO BE REPRODUCED, COPIED, OR DISTRIBUTED IN ANY MANNER WITHOUT THE WRITTEN CONSENT OF YARDNEY WATER MANAGEMENT. THE DRAWING IS NOT TO BE COPIED AND MUST BE RETURNED UPON REQUEST. COPYRIGHT YARDNEY WATER MANAGEMENT SYSTEMS, 1994.

DATE	BY	DATE	LOCATION	SYSTEMS/MCS2-1V	SHEET 1 OF 1
11-8-2012	DTD				
9075002011					

Yardney
 WATER MANAGEMENT SYSTEMS
 MCS2-V1
 SCREEN FILTER

NO.	REVISION	BY	DATE	LOCATION	SYSTEMS/MCS2-1V	SHEET 1 OF 1
-----	----------	----	------	----------	-----------------	--------------